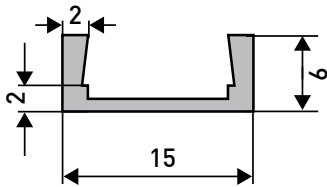
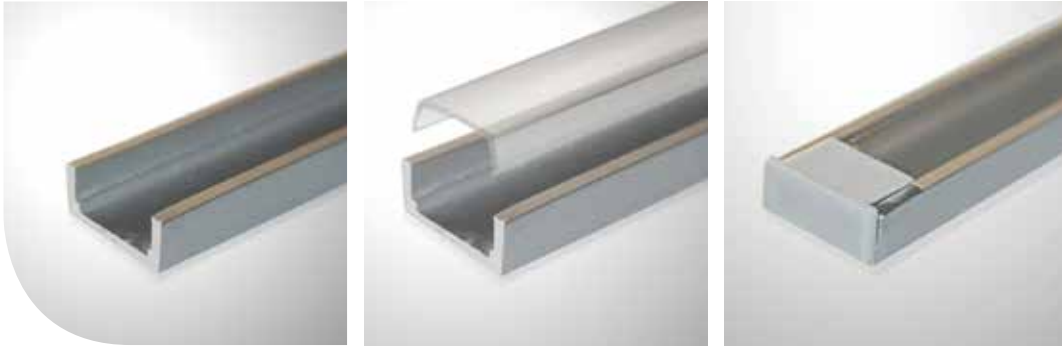




Aluminum Profiles



ALUMINUM LED PROFILE 1504 (2M PROFILE)



Features :

- › Aluminum finish
- › Designed and produced in Europe
- › Convenient for all low power led strips
- › Maximum strip width 10mm

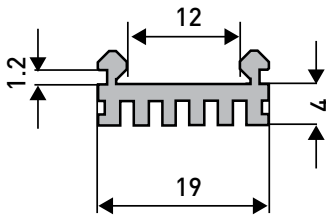
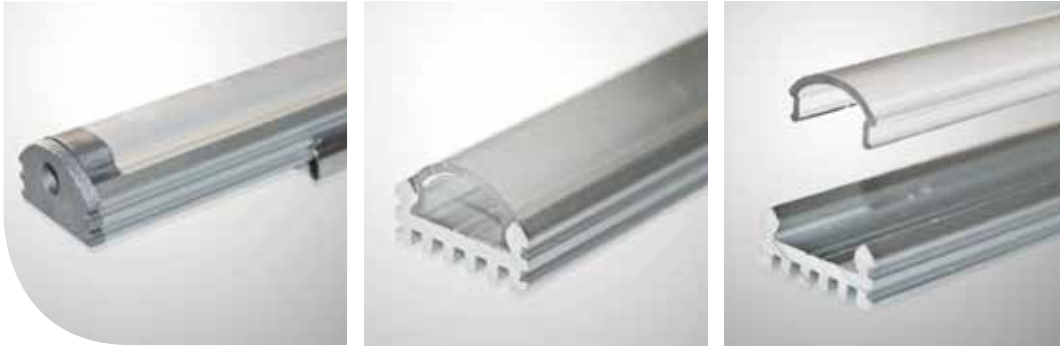
Accessories :



References

REF	REF DESCRIPTION
ZALUPRO1504X2M	Anodized Aluminum LED profile, 15x4mmx2m
ZTRACOV1504X2M	Plastic Cover, 2m, Transparent
ZENDCAPCOV1504	PVC End Cap no hole
ZENDCAPCOH1504	PVC End Cap with hole
ZALUPROCLIP1504	Fixing clips

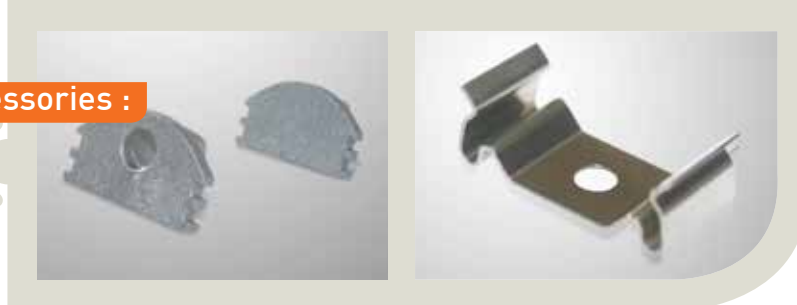
ALUMINUM LED PROFILE 1911 (2M PROFILE)



Features :

- › Maximum strip width: 12.2mm
- › External dimensions: 19x11mmx2m

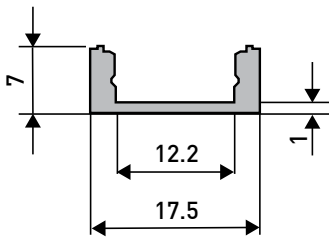
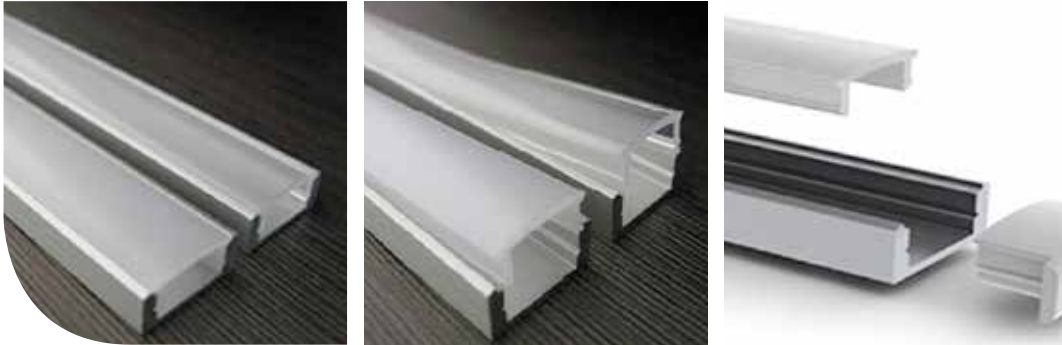
Accessories :



References

REF	REF DESCRIPTION
IALUPRO1911X2M	Aluminum profile for high power led strip 19x11mmx2m
ITRACOV1911X2M	Transparent cover (2m)
IENDCAPCOH1911	End cap with hole
IENDCAPCOV1911	End cap without hole
IALPROCLIP1911	Fixing clips

ALUMINUM LED PROFILE 1707 (2M PROFILE)



Features :

- › Anodized aluminum finish
- › UV Resistant Cover in Polycarbonate, Clip on system
- › Sleek Design
- › Designed and produced in Europe
- › Convenient for all single line indoor led strips

Accessories :



References :

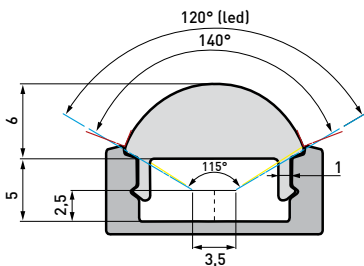
REF	REF DESCRIPTION
ZALUPRO1707X2M	Anodized Aluminum LED profile, 17x7mmx2m
ZTRACOV17__X2M	Plastic Cover, 2m, Transparent
ZTRACOF17__X2M	Plastic Cover, 2m, Frosted
ZENDCAPCOV1707	PVC End Cap with hole
ZENDCAPCOH1707	PVC End Cap no hole
ZALUPROCLIP1707	PVC Grey Clip

OPTICS FOR 1707 LED PROFILE

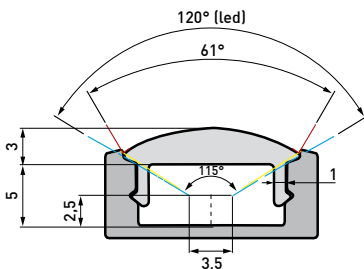
References :

REF	REF DESCRIPTION
ZENDCAP30H1707	End cap with hole for 1707 profile with 30° cover
ZENDCAP60H1707	End cap with hole for 1707 profile with 60° cover
ZENDCAP30V1707	End cap for 1707 profile with 30° cover
ZENDCAP60V1707	End cap for 1707 profile with 60° cover
ZTRA30F17__X2M	Frosted cover for 1707, 1715, 2507, 2515 profile with 30° beam angle
ZTRA60F17__X2M	Frosted cover for 1707, 1715, 2507, 2515 profile with 60° beam angle
ZTRA30V17__X2M	Transparent cover for 1707, 1715, 2507, 2515 profile with 30° beam angle
ZTRA60V17__X2M	Transparent cover for 1707, 1715, 2507, 2515 profile with 60° beam angle

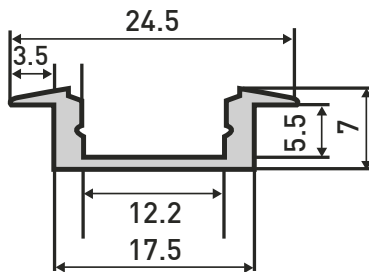
1707 PROFILE WITH 30° OPTIC LENS



1707 PROFILE WITH 60° OPTIC LENS



ALUMINUM RECESSED LED PROFILE 2507 (2M PROFILE)



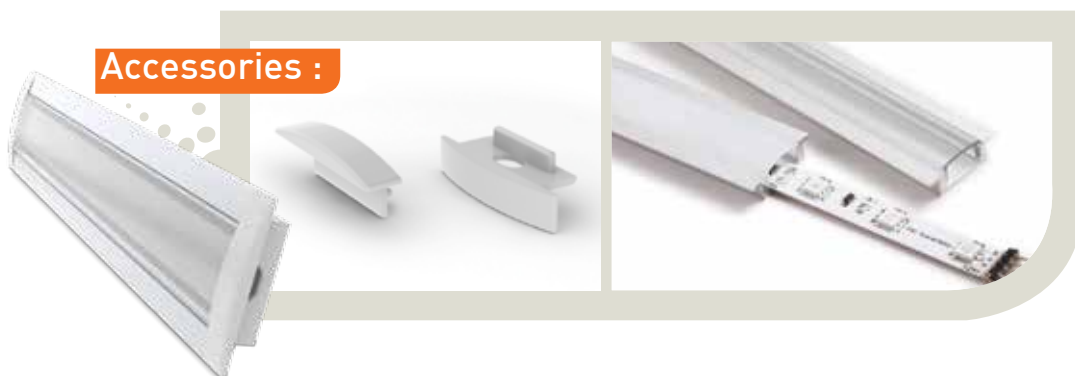
Features :

- › Recessed type with clean design
- › Very low profile
- › Perfect for low power LED strips
- › Diffuser placed/removed from the top
- › Designed for indoor use only
- › Available with frosted or clear diffuser
- › Anodized finish

Applications :

- › Kitchen cabinets LED lighting
- › Furniture production
- › Interior accent lighting
- › Shop shelf lighting

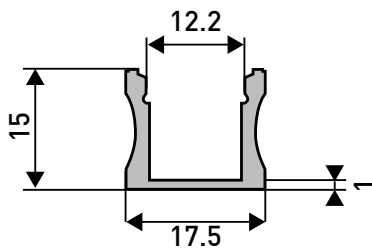
Accessories :



References :

REF	REF DESCRIPTION
ZALUPRO2507X2M	Anodized Recessed Aluminum LED profile, 25x7mm x2m
ZTRACOV17__X2M	Polycarbonate Cover, Clip on system, 2m, Transparent
ZTRACOF17__X2M	Polycarbonate Cover, Clip on system, 2m, Frosted
ZENDCAPCOV2507	PVC End Cap no hole
ZENDCAPCOH2507	PVC End Cap with hole

ALUMINUM LED PROFILE 1715 (2M PROFILE)



Features :

- › High quality diffuser, placing/removing from the front
- › Led dots free profile (frosted)
- › Walk on safe diffuser, UV resistant polycarbonate diffuser
- › Available with frosted and transparent diffuser
- › Anodized Aluminum finish
- › Suitable for low/high power led bars
- › For indoor use only

Applications :

- › Furniture production (kitchen / office)
- › Interior light design (stairs / storage / floor)
- › Stores shelf LED lighting
- › Independent LED lamp
- › Exhibition booth LED lighting

Accessories :



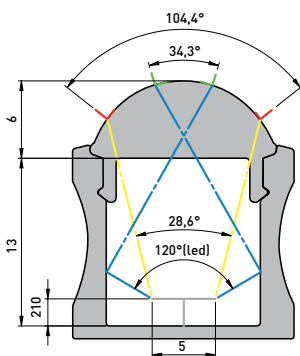
REF	REF DESCRIPTION
ZALUPR01715X2M	Anodized Aluminum LED profile, 17x15mm x2m
ZTRACOV17__X2M	Polycarbonate Cover, Clip on system, 2m, Transparent
ZTRACOF17__X2M	Polycarbonate Cover, Clip on system, 2m, Frosted
ZENDCAPCOV1715	PVC End Cap no hole
ZENDCAPCOH1715	PVC End Cap with hole
ZALUPROCLIP1715	PVC Grey Clip

OPTIC FOR 1715 LED PROFILE

References :

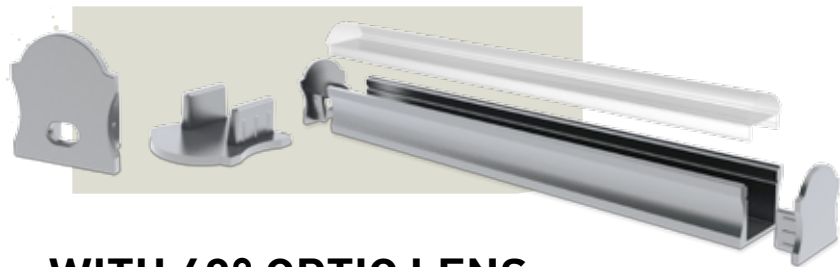
REF	REF DESCRIPTION
ZENDCAP30H1715	End cap with hole for 1715 profile with 30° cover
ZENDCAP60H1715	End cap with hole for 1715 profile with 60° cover
ZENDCAP30V1715	End cap for 1715 profile with 30° cover
ZENDCAP60V1715	End cap for 1715 profile with 60° cover
ZTRA30F17__X2M	Frosted cover for 1707, 1715, 2507, 2515 profile with 30° beam angle
ZTRA60F17__X2M	Frosted cover for 1707, 1715, 2507, 2515 profile with 60° beam angle
ZTRA30V17__X2M	Transparent cover for 1707, 1715, 2507, 2515 profile with 30° beam angle
ZTRA60V17__X2M	Transparent cover for 1707, 1715, 2507, 2515 profile with 60° beam angle

1715 LED PROFILE WITH 30° OPTIC LENS

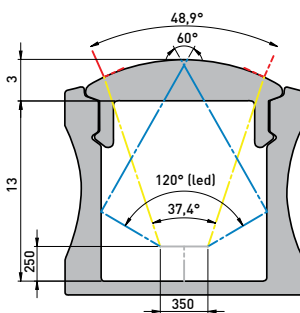


Features:

- › Surface mount installation LED profile with 30° optic lens, UV stabilized.
- › Choice of frosted or clear lens
- › The outgoing light is concentrated into the 30° beam angle.

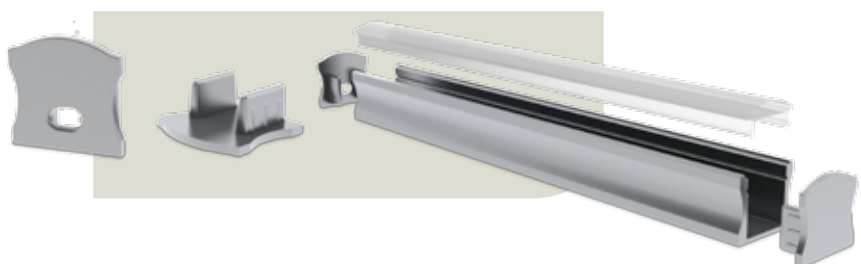


1715 LED PROFILE WITH 60° OPTIC LENS

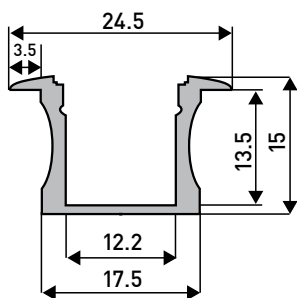


Features :

- › Surface mount installation LED profile with 60° optic lens, UV stabilized.
- › Choice of frosted or clear lens
- › The outgoing light is concentrated into the 60° beam angle.



ALUMINUM LED RECESSED PROFILE 2515 (2M PROFILE)



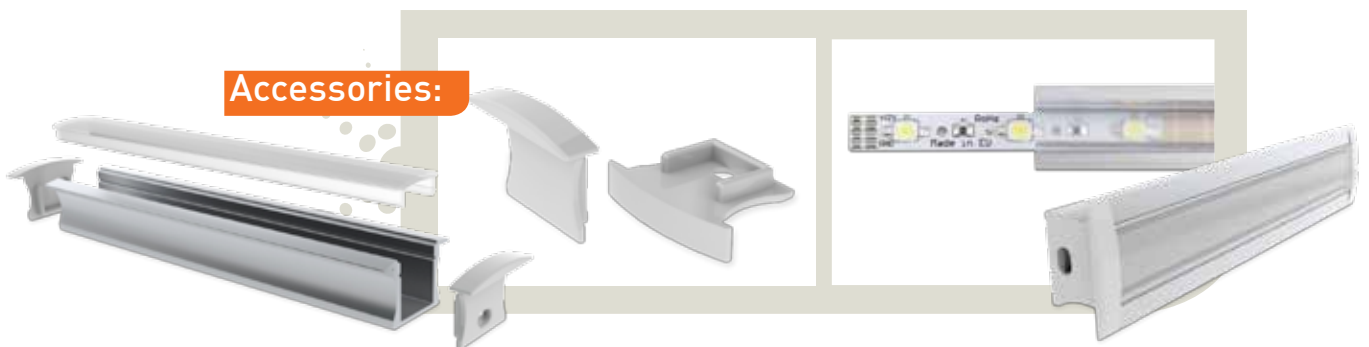
Features :

- › Anodized Aluminum finish
- › High Quality UV resistant polycarbonate snap in diffuser
- › Choice of frosted or clear diffuser
- › Reduced light loss design
- › Small dimensions only 15mm high
- › Suitable for standard LED strips up to 12mm of wide
- › Available with dedicated finish end caps
- › Indoor use

Applications :

- › Recessed LED lighting under kitchen cabinets
- › Storage shelves LED lighting
- › Furniture production
- › Exhibition booth LED lighting

Accessories:

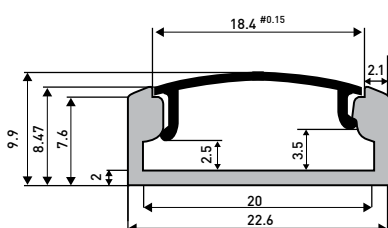


Especially designed for true line effect (no dots), to be used with 60 and 120LED/m LED Strips

References :

REF	REF DESCRIPTION
ZALUPRO2515X2M	Anodized Aluminum Recessed LED profile, 25x15mm x2m
ZTRACOV17__X2M	Polycarbonate Cover, Clip on system, 2m, Transparent
ZTRACOF17__X2M	Polycarbonate Cover, Clip on system, 2m, Frosted
ZENDCAPCOV2515	PVC End Cap no hole
ZENDCAPCOH2515	PVC End Cap with hole
ZALUPROCLIP2515	PVC Grey Clip

WIDE ALUMINUM LED PROFILE 2208 (2M)



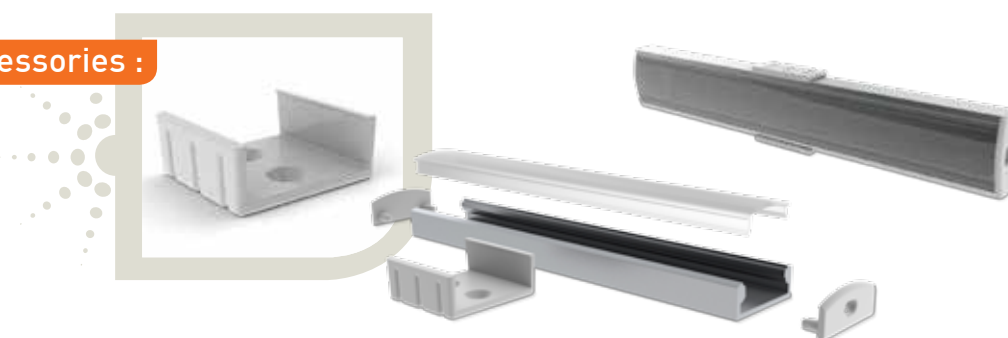
Features :

- › Anodized Aluminum finish
- › High Quality UV resistant polycarbonate snap on diffuser
- › Two different light diff users to chose from, frosted or transparent.
- › Reduced light loss design
- › Small dimensions only 8mm high
- › Extra space inside the profile (20mm) for IP67 led ribbons, RGB or double row LED strips
- › Available with dedicated accessories such as end caps and mounting brackets
- › Indoor use

Applications :

- › Led lamps
- › Retail store shelves LED lighting
- › Kitchen cabinets LED lighting
- › Exhibitions, hotels, restaurants LED lighting
- › Interior design

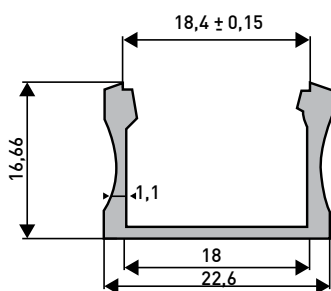
Accessories :



References :

REF	REF DESCRIPTION
ZALUPRO2208X2M	Anodized Aluminum LED profile, 22x8mm x2m
ZTRACOV22__X2M	Polycarbonate Cover, Clip on system, 2m, Transparent
ZTRACOF22__X2M	Polycarbonate Cover, Clip on system, 2m, Frosted
ZENDCAPCOV2208	PVC End Cap no hole
ZENDCAPCOH2208	PVC End Cap with hole
ZALUPROCLIP2208	PVC Grey Clip

WIDE ALUMINUM LED PROFILE 2215 (2M)



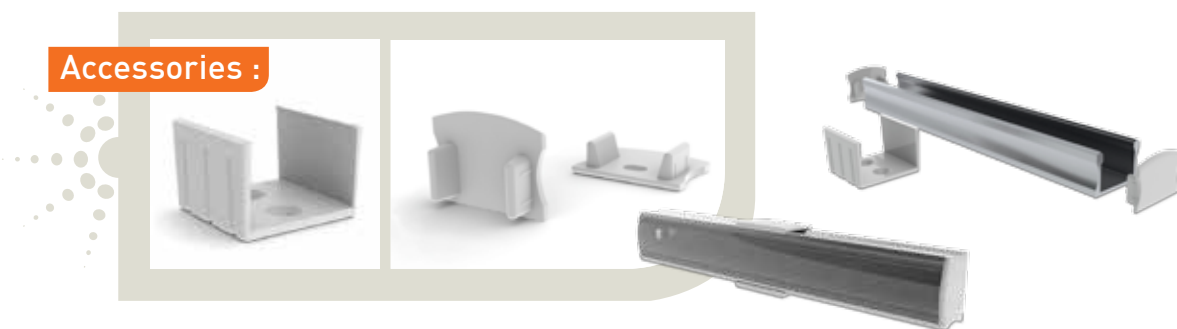
Features:

- › Anodized Aluminum finish
- › High Quality UV resistant polycarbonate snap on diffuser
- › Two different light diffusers to choose from :
frosted (LEDs dots free) and transparent
- › Extra space inside the profile (18mm) for IP67 led ribbons, RGB or double row LED strips
- › Suitable for high power LED strips up to 30W/m
- › Available with dedicated finish end caps and mounting bracket
- › Indoor use only, IP20

Applications:

- › Led lamps
- › Shelf LED lighting for retail store
- › Cabinets LED lighting for kitchen
- › Interior design

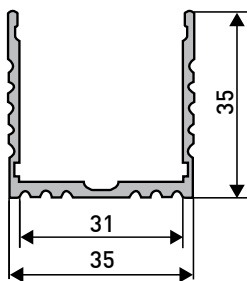
Accessories :



References :

REF	REF DESCRIPTION
ZALUPRO2215X2M	Anodized Aluminum LED profile, 22x15mm x2m
ZTRACOV22__X2M	Polycarbonate Cover, Clip on system, 2m, Transparent
ZTRACOF22__X2M	Polycarbonate Cover, Clip on system, 2m, Frosted
ZENDCAPCOV2215	PVC End Cap no hole
ZENDCAPCOH2215	PVC End Cap with hole
ZALUPROCLIP2215	PVC Grey Clip

ALUMINUM LED PROFILE 3535 (2M PROFILE)



Features :

- › High Quality UV resistant polycarbonate snap on diffuser
- › Two different light diffusers to choose from, frosted (LEDs dots free) and transparent.
- › Contemporary design
- › Suitable for standard or high power LED stripes up to 30W/m
- › Available on stock in anodized silver color
- › Available with dedicated accessories such as two type of end caps
- › Indoor use only, IP20

Applications :

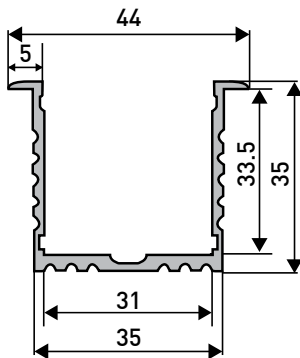
- › LED lamp component
- › Retail store main ceiling LED lighting
- › Suspended LED lighting lamp
- › Exhibitions, hotels, restaurants main LED lighting
- › Decorative linear LED lighting
- › Exhibition booth LED lighting



References :

REF	REF DESCRIPTION
ZALUPR03535X2M	Anodized ALuminum LED profile, 35x35mm x2m
ZTRACOV35__X2M	Polycarbonate Cover, Clip on system, 2m, Transparent
ZTRACOF35__X2M	Polycarbonate Cover, Clip on system, 2m, Frosted
ZENDCAPC003535	End cap with ears for profile ZALUPR03535X_M
ZENDCAPCOV3535	End cap without ears for profile ZALUPR03535X_M

ALUMINUM LED PROFILE 4435 (2M RECESSED PROFILE)



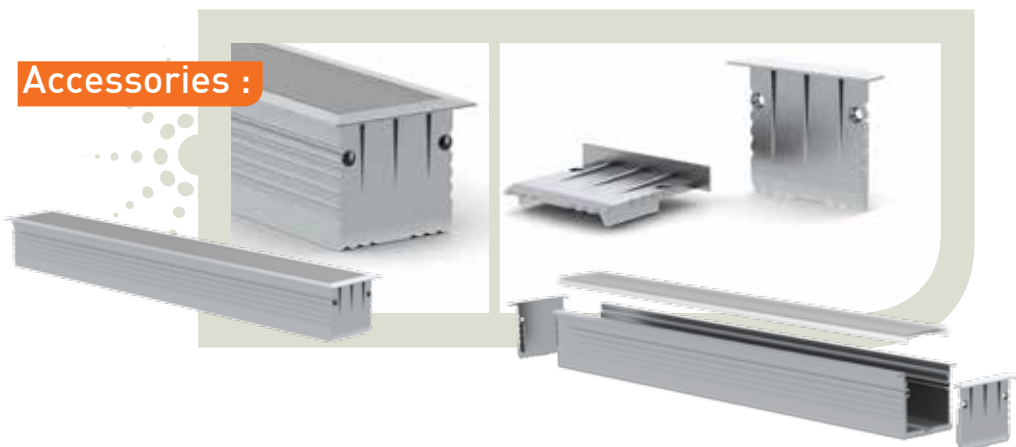
Features :

- › High quality polycarbonate diffuser
- › No LED dots shows on the diffuser surface
- › Soft and smooth light diffusion
- › Diffuser is placed/removed from the top on click
- › High quality anodized aluminum base
- › Heavy duty "heat sink" for high power LEDs
- › Matching end caps for this profile are available
- › Gypsum ceiling installation
- › Available in length of 2m with clear or frosted diffuser

Applications :

- › Show rooms ceiling LED lighting
- › Restaurants ceiling LED lighting
- › Shopping malls LED lighting

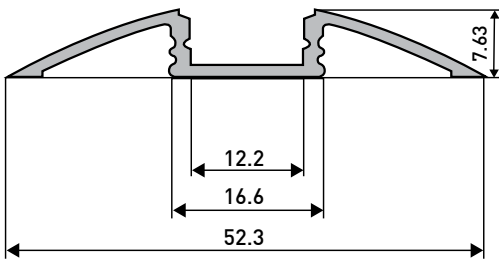
Accessories :



References :

REF	REF DESCRIPTION
ZALUPRO4435X2M	Anodized Aluminum LED profile, 44x35mmx2m
ZTRACOV35__X2M	Polycarbonate Cover, Clip on system, 2m, Transparent
ZTRACOF35__X2M	Polycarbonate Cover, Clip on system, 2m, Frosted
ZENDCAPCOV4435	PVC End Cap no hole with edge

ALUMINUM LED PROFILE 5207 (2M PROFILE)



Features:

- › High quality diffuser placed from the front on click
- › Polycarbonate UV resistant, damage resistant (walk over safe)
- › Diffuser available in transparent and frosted
- › Base of the profile is made in anodized aluminum
- › ALU-FLAT is suitable for low power and high power LEDs
- › Simplicity in design with high quality finish
- › Protection grade IP20

Applications:

- › Under kitchen cabinets LED lighting
- › Stores shelves LED lighting
- › Floor LED lighting
- › Storage shelves LED lighting
- › Exhibition booth LED lighting
- › Interior LED lighting

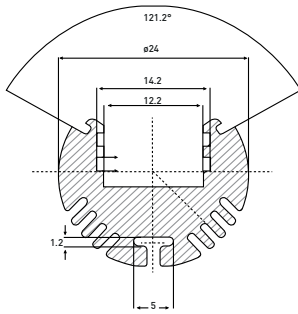
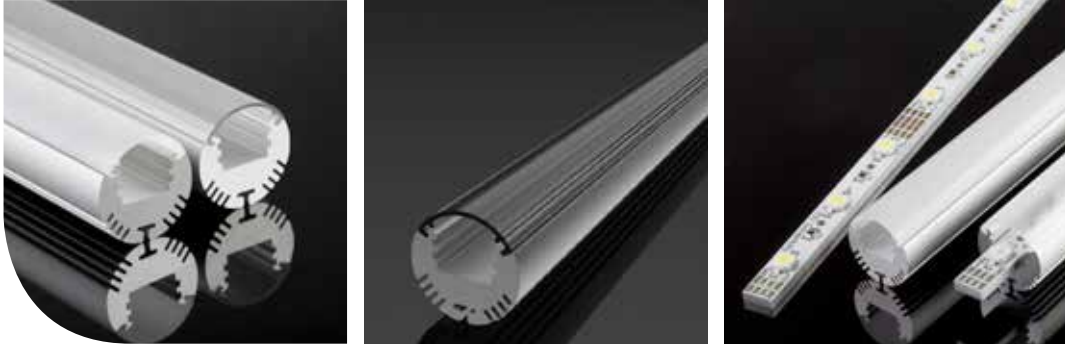
Accessories :



References :

REF	REF DESCRIPTION
ZALUPR05207X2M	Aluminum led profile for surface mount 5207, 2m
ZTRACOV17__X2M	Transparent Polycarbonate Cover 2m
ZTRACOF17__X2M	Frosted Polycarbonate Cover 2m
ZENDCAPCOV5207	PVC End Cap with edge and fixing hole
ZENDCAPCOH5207	PVC End Cap with edge, fixing hole and cable hole

ALUMINUM LED PROFILE RD24 (ROUND 2M PROFILE)



Features :

- › High quality round shape polycarbonate diffuser
- › Diffuser is placed/removed from the top on click
- › High quality anodized aluminum base
- › Heavy duty "heat sink" for high power LEDs
- › Compatible with up to 12mm wide high power LED bars
- › Available finish end caps and mounting system with angle adjustment
- › Two different installation options (wall or suspended)
- › Available in length of 2m with clear or frosted diffuser

Applications :

- › Bed reading lamp with angle adjustment
- › Show rooms lighting
- › Reception desk main lighting
- › Restaurants table lighting
- › Shopping boutiques exposition lighting

Accessories :

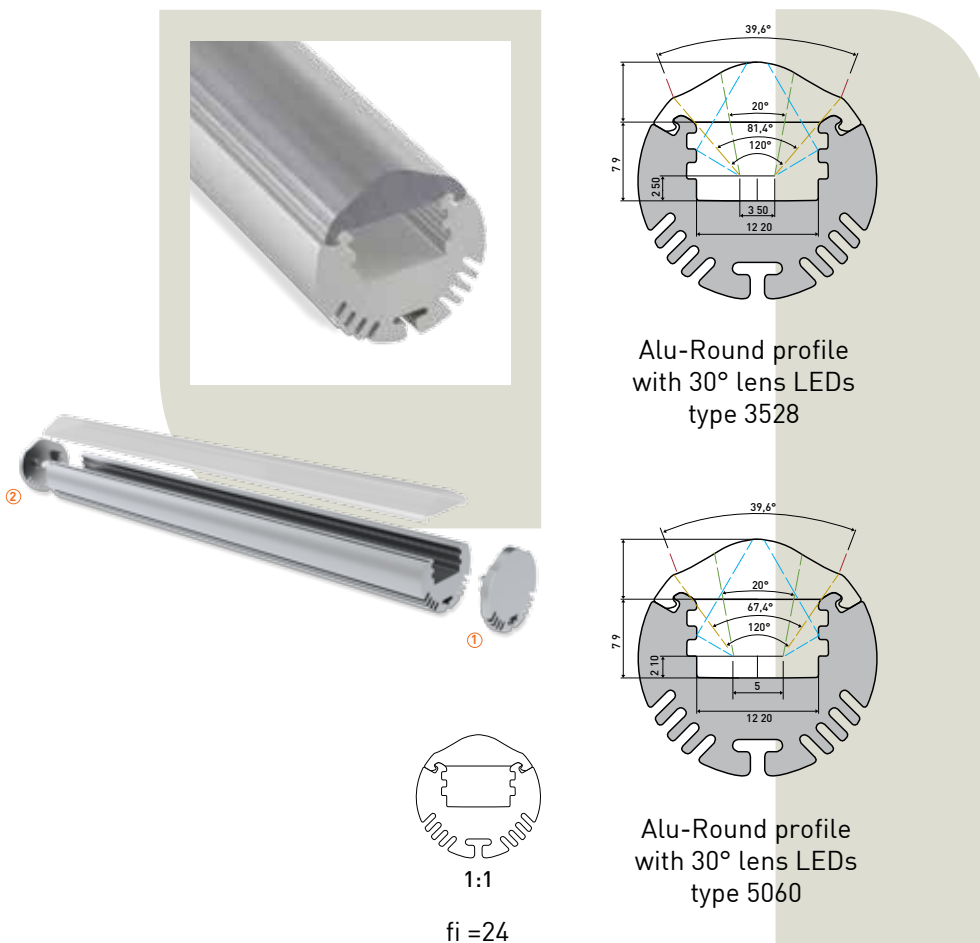


References :

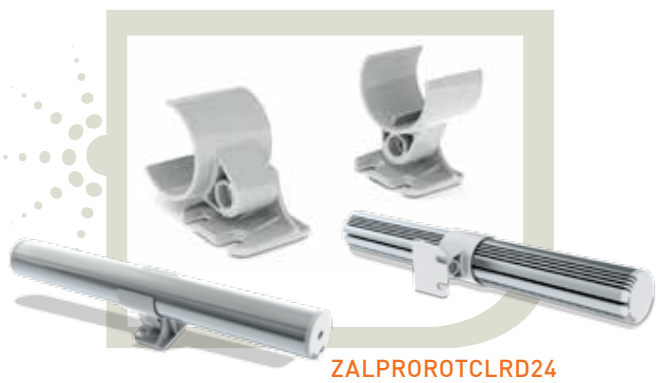
REF	REF DESCRIPTION
ZALUPRORD24X2M	Round Led 24mm diam, 2m long, no cover
ZTRACOV RD24X2M	Transparent Polycarbonate Cover 2m
ZTRACOF RD24X2M	Frosted Polycarbonate Cover 2m
ZTRA30VRD24X2M	Plastic Transparent Cover for LED Profile RD24 with 30° Beam Angle 2m
ZENDCAPCOVRD24	End cap PVC Grey
ZENDCAPOHRD24	End cap with hole PVC Grey
ZENDCAP30VRD24	End cap PVC Grey
ZENDCAP30HRD24	End cap with hole PVC Grey with 30° cover
ZALPROROTCLR D24	Rotating Clip PVC Grey with 60° cover
ZALPROWALCLR D24	Lateral Wall Clip PVC Grey
ZALPROVERFTR D24	Vertical Foot 62mm
ZALPROSIDFTR D24	Side Foot 252mm
ZTRACOV RD24X2M	Plastic Transparent Cover for LED Profile RD24 2m
ZALPROSIDERD24	Side Foot 102mm for RD24

①
②

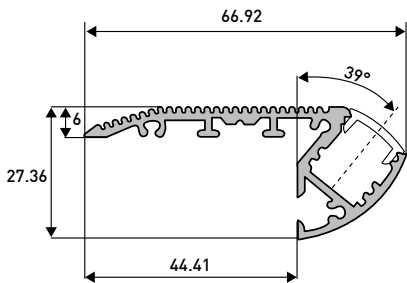
ALU-ROUND WITH 30° OPTIC LENS



ALU-ROUND ACCESSORIES



ALUMINUM LED PROFILE SR66 (STAIR STEP NOSE 2M PROFILE)



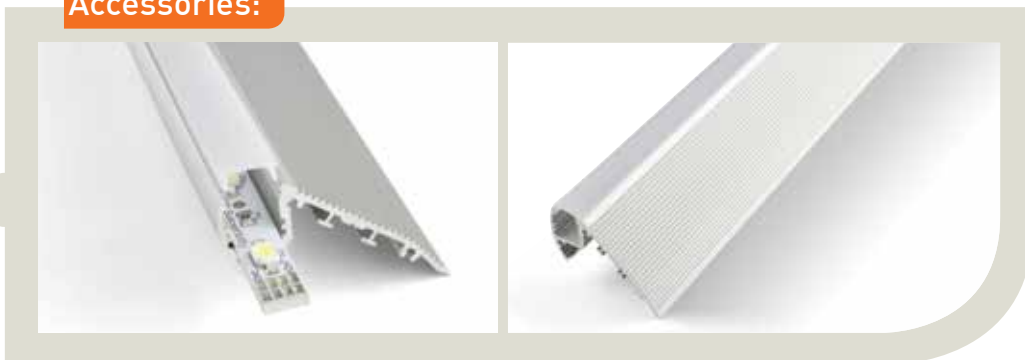
Features :

- › Hard aluminum alloy and special anodizing thickness
- › High standard of anodizing aluminum
- › High Quality UV resistant polycarbonate snap on diffuser (LEDs dots free) and transparent.
- › Stair installed LED profile with smooth line of light
- › Suitable for standard or high power LED strips up to 30W/m
- › Possible isolation of the diffuser and end cap against water with transparent silicone
- › Available on stock with dedicated end caps

Applications:

- › Stair LED lighting illumination
- › Hotels, cinemas, restaurants, night clubs, stair LED lighting

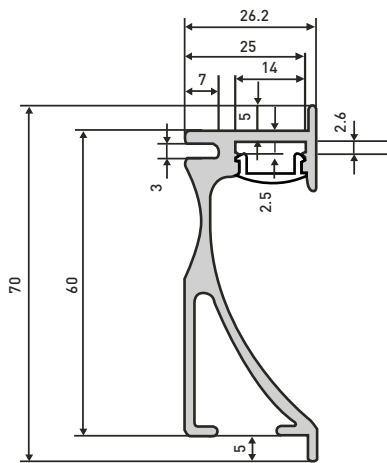
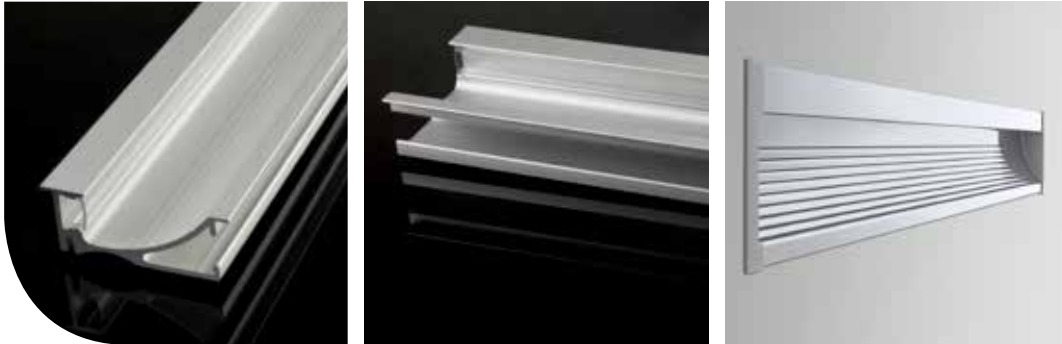
Accessories:



References :

REF	REF DESCRIPTION
ZALUPROSR66X2M	Aluminum LED Profile for stair step nose 2m
ZTRACOV17__X2M	Transparent Polycarbonate Cover 2m
ZTRACOF17__X2M	Frosted Polycarbonate Cover 2m
ZENDCAPCOLSR66	End cap pvc sr66 / left
ZENDCAPCORSR66	End cap pvc sr66 / right

ALUMINUM LED PROFILE WL70 (WALL RECESSED 2M PROFILE)



Features:

- › Asymmetric, wall installed LED profile for floor LED lighting
- › High standard of anodizing aluminum surface
- › High Quality UV resistant polycarbonate snap on diffuser
- › Two different light diffusers to choose from : frosted or transparent.
- › Extra LED heat sink capability of the profile (up to 30W/m)
- › Available with dedicated finish end caps
- › Indoor and outdoor use (outdoor with IP67 leds)

Applications:

- › Asymmetric, wall build-in type
- › Floor hallways LED lighting profile
- › Perfect for hotels hallways, restaurant, hospitals, underground
- › Walkways LED lighting

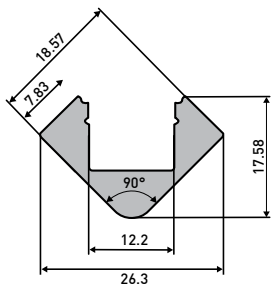
Accessories :



References :

REF	REF DESCRIPTION
ZALUPROWL70X2M	Aluminum led profile (wall recessed) 2m
ZTRACOV17__X2M	Transparent LED Cover 2m
ZTRACOF17__X2M	Frosted LED Cover 2m
ZENDCAPCOLWL70	End Cap PVC Grey Left
ZENDCAPCORWL70	End Cap PVC Grey Right

ALUMINUM 45° CORNER LED PROFILE AL45 (2M PROFILE)



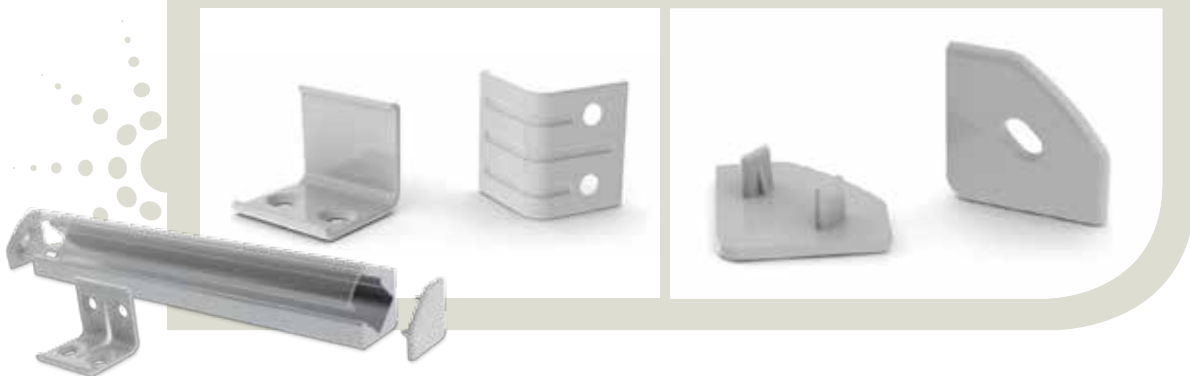
Features:

- › High quality diffuser now placing from the front on click
- › Polycarbonate UV resistant, damage resistant (walk over safe)
- › Diffuser available in transparent, and frosted
- › Base of the profile is made in anodized aluminum
- › ALU 45 is suitable for low power and high power leds
- › Simplicity design with high quality finish

Applications:

- › Under kitchen cabinets LED lighting
- › Stores shelves LED lighting
- › Furniture production, inside cabinets LED lighting
- › Storage shelves LED lighting
- › Exhibition booth LED lighting

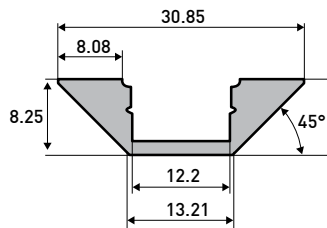
Accessories:



References :

REF	DESCRIPTION
ZALUPROAL45X2M	Anodized Aluminum 45° Corner LED profile, 17x07mm x2m
ZTRACOV17__X2M	Polycarbonate Cover, Clip on system, 2m, Transparent
ZTRACOF17__X2M	Polycarbonate Cover, Clip on system, 2m, Frosted
ZENDCAPCOVAL45	PVC End Cap no hole
ZENDCAPCOHAL45	PVC End Cap with hole
ZALUPROCLIPAL45	PVC Grey Clip

ALUMINUM 45° CORNER LED PROFILE VL45 [2M PROFILE]



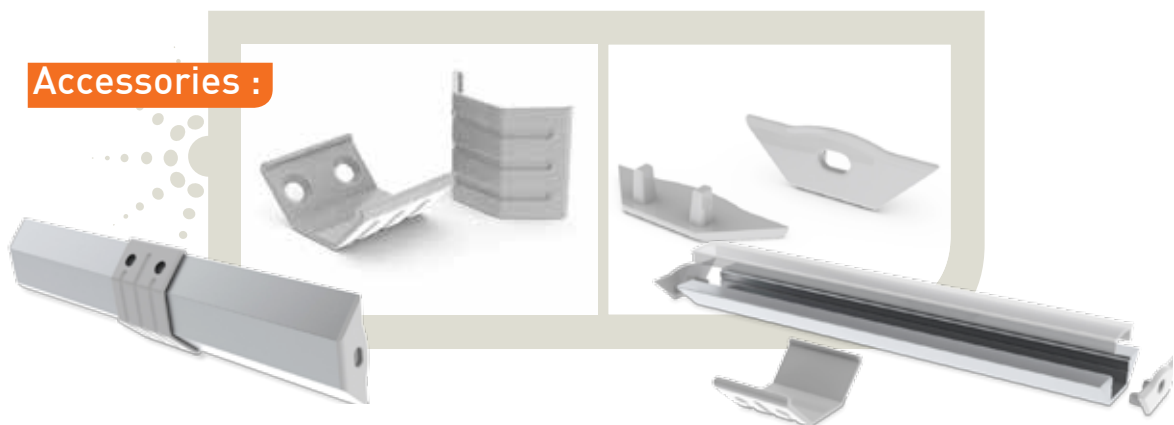
Features:

- › High quality diffuser now placed from the front on click
- › Polycarbonate UV resistant, damage resistant (walk over safe)
- › Diffuser available in transparent, 50% opal and opal
- › Base of the profile is made in anodized aluminum
- › VL 45 is suitable for low power and high power led strips

Applications:

- › Under kitchen cabinets LED lighting
- › Stores shelves LED lighting
- › Furniture production, inside cabinets LED lighting
- › Storage shelves LED lighting
- › Exhibition booth LED lighting
- › Interior LED lighting

Accessories :



References :

REF	DESCRIPTION
ZALUPROVL45X2M	Anodized Aluminum 45° Corner LED profile, 31x8mm x2m
ZTRACOV17__X2M	Polycarbonate Cover, Clip on system, 2m, Transparent
ZTRACOF17__X2M	Polycarbonate Cover, Clip on system, 2m, Frosted
ZENDCAPCOVVL45	PVC End Cap no hole
ZENDCAPCOHVL45	PVC End Cap with hole
ZALUPROCLIPVL45	PVC Grey Clip





 **spotled**