



# Index

---

## Flood Lights & Spot Lights

10W LED Spot Light

10W LED Flood Light

10W LED Flood Light

30W LED Spot Light

30W LED Flood Light

50W LED Spot Light

50W LED Flood Light

70W LED Spot Light

70W LED Flood Light

140W LED Spot Light

140W LED Flood Light

200W LED Spot Light

200W LED Flood Light

300W LED Flood Light

## Low Bays & High Bays

Low Bay LED Canopy Light

High Bay LED Light 100W

High Bay LED Light 100W - 150W

High Bay LED Light 250W

## Accessories

Accessories for Flood Lights

**1**

page 1.4

page 1.5

page 1.6

page 1.7

page 1.8

page 1.9

page 1.10

page 1.11

page 1.12

page 1.13

page 1.14

page 1.15

page 1.16

page 1.17

page 1.19

page 1.20

page 1.21

page 1.22

page 1.24

# Index

---

## Ceiling LED Tiles

- Ceiling LED Tiles details
- 30 x 30 Ceiling LED Tile
- 60 x 60 2800lm Ceiling LED Tile
- 60 x 60 3800lm Ceiling LED Tile
- 120 x 30 2800lm Ceiling LED Tile
- 120 x 30 3800lm Ceiling LED Tile

**2**

- page 2.3
- page 2.4
- page 2.5
- page 2.6
- page 2.7
- page 2.8

## Flexible LED Strips

- Flexible LED Strip Non Waterproof 60 LED 3528/m 4W/m
- Flexible LED Strip Non Waterproof 60 LED 3528/m 5W/m
- Flexible LED Strip Non Waterproof 120 LED 3020/m 7W/m
- Flexible LED Strip Non Waterproof 120 LED 3020/m 9W/m
- Flexible LED Strip Non Waterproof 30 LED 5050/m 6W/m
- Flexible LED Strip Non Waterproof 30 LED 5050/m (RGB) 7W/m
- Flexible LED Strip Waterproof 30 LED 5050/m 6W/m
- Flexible LED Strip Non Waterproof 60 LED 5050/m 12W/m
- Flexible LED Strip Waterproof 60 LED 5050/m 12W/m
- Flexible LED Strip Non Waterproof 48 LED 5050/m 12W/m
- Flexible LED Strip Non Waterproof 120 LED 3020/m 19W/m
- Flexible LED Strip Non Waterproof 120 LED 3014/m 14,4w/m
- Flexible LED Strip Non Waterproof 180 LED 3014/m 22W/m

**3**

- page 3.5
- page 3.6
- page 3.7
- page 3.8
- page 3.9
- page 3.10
- page 3.11
- page 3.12
- page 3.13
- page 3.14
- page 3.15
- page 3.16
- page 3.17

# Index

---

## Controllers

Color Wheel LED Remote Control & Receiver	page 4.4
Push Button RGB Controller	page 4.5
Dimmable LED Power Supplies	page 4.6
DMX Controller Sunlite STICK 2	page 4.7
DMX Controller Sunlite STICK-GA2	page 4.8
DMX Controller Sunlite DE3	page 4.9
DMX Controller Sunlite KE1	page 4.10
DMX 512 Interface	page 4.11
RGB Signal Repeater	page 4.12

4

## Power Supplies



LED Power Supplies 20W (12V & 24V)	page 5.4
LED Power Supplies 30W (12V & 24V)	page 5.5
LED Power Supplies 50W (12V & 24V)	page 5.6
LED Power Supplies 75W (24V)	page 5.7



Outdoor Series Constant Voltage without PFC	page 5.9
Outdoor Series Constant Voltage with PFC	page 5.10
Din Rail Power Supplies 30 > 100 W	
Din Rail Power Supplies 120 > 960 W	page 5.11



Outdoor LED Power Supplies 100W Spotted LED Driver	page 5.13
Outdoor LED Power Supplies 200W Spotted LED Driver	page 5.14

5

# Index

---

## Aluminium LED Profiles

Aluminum LED Profile 1504 (2m profile, on order)	page 6.4
Aluminum LED Profile 1911 (2m profile)	page 6.5
Aluminum LED Profile 1707 (2m profile)	page 6.6
Optics for 1707 LED Profile	page 6.7
Aluminum Recessed LED Profile 2507 (2m profile)	page 6.8
Aluminum LED Profile 1715 (2m profile)	page 6.9
Optic for 1715 LED Profile	page 6.10
Aluminum LED Recessed Profile 2515 (2m profile)	page 6.11
Wide Aluminum LED Profile 2208 (2m)	page 6.12
Wide Aluminum LED Profile 2215 (2m)	page 6.13
Aluminum LED Profile 3535 (2m profile)	page 6.14
Aluminum LED Profile 4435 (2m recessed profile)	page 6.15
Aluminum LED Profile 5207 (2m profile)	page 6.16
Aluminum LED Profile RD24 (round 2m profile)	page 6.17
Alu-round with 30° Optic Lens	page 6.18
Alu-round Accessories	page 6.19
Aluminum LED Profile SR66 (stair step nose 2m profile)	page 6.20
Aluminum LED Profile WL70 (wall recessed 2m profile)	page 6.21
Aluminum 45° Corner LED Profile AL45 (2m profile)	page 6.22
Aluminum 45° Corner LED Profile VL45 (2m profile)	page 6.23

# PRODUCT CATALOGUE

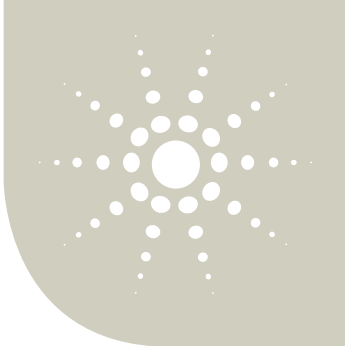
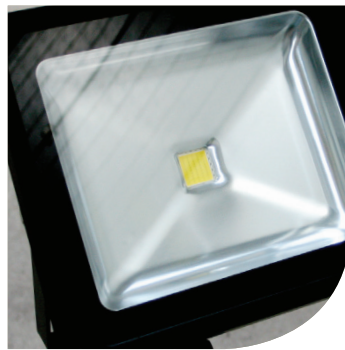




## Flood Lights & High Bays



## Flood Lights & Spot Lights



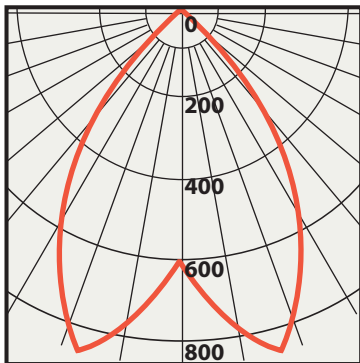


# 10W LED SPOT LIGHT

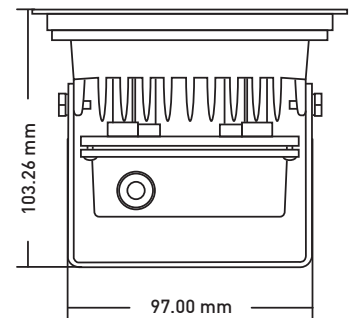
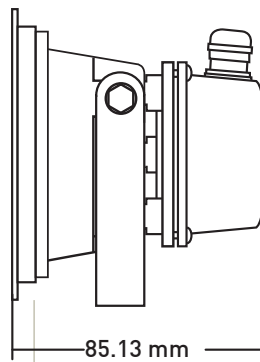
Property	Value
Power	10W
Voltage	230V / 2ph + Gnd
Current	0.05A
Power Fact.	0.6
Intensity	860lm
Angle	70°
CCT/Color	3200/4500/6000K
IRC	>80 / >80 / >70
IPLevel	IP65
Dimensions	86x97x103mm
Casing Color	Black / Grey
Dimmable	No
LED	Spotted Bridgelux



### Goniogram



Goniogram for a 70° Fixture



High reliability  
LED chips by



### References :

REF	Model	GTIN / EAN	PRICES*
BB010PSH907030	3200K 70° Black	5420061212467	€ 55
BB010PSH907045	4500K 70° Black	5420061212474	€ 55
BB010PSH907060	6000K 70° Black	5420061212481	€ 55
BB010PSHG07030	3200K 70° Grey	5420061212467	€ 55
BB010PSHG07045	4500K 70° Grey	5420061212474	€ 55
BB010PSHG07060	6000K 70° Grey	5420061212481	€ 55

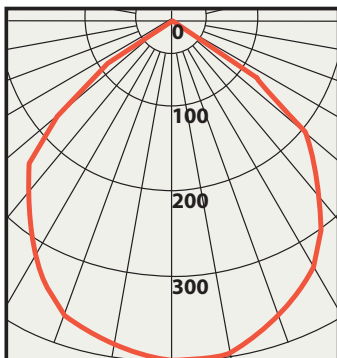
\*BRUTO WITHOUT VAT/PIECE

# 10W LED FLOOD LIGHT

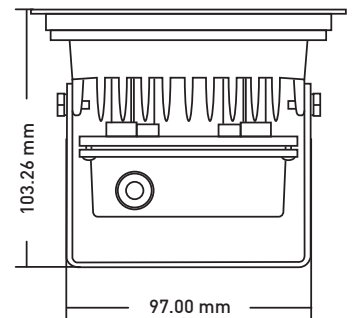
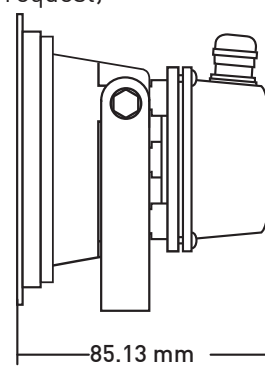
Property	Value
Power	10W
Voltage	230V / 2ph + Gnd Or 12 / 30VDC PWM Dimmable
Current	0.05A
Power Fact.	0.75
Intensity	860lm
Angle	120°
CCT/Color	3200/4000/6000K
IRC	>80 / >80 / >70
IPLevel	IP65
Dimensions	86x97x103mm
Casing Color	Black / Grey (other colors on request)
Dimmable	No
LED	Spotted Bridgelux



### Goniogram



Goniogram for a 70° Fixture



High reliability LED chips by

High reliability  
LED chips by



## References :

REF	Model	GTIN / EAN	PRICES*
BB010PSH912030	230V 3200K 120° Black	5420061204172	€ 48
BB010PSH912045	230V 4500K 120° Black	5420061204158	€ 48
BB010PSH912060	230V 6000K 120° Black	5420061204165	€ 48
BB010PSHG12030	230V 3200K 120° Grey	5420061210081	€ 48
BB010PSHG12045	230V 4500K 120° Grey	5420061209931	€ 48
BB010PSHG12060	230V 6000K 120° Grey	5420061210371	€ 48
BB010PDNB12032	12-30V Dim 3200K 120° Black	5420061218582	€ 55
BB010PDNB12045	12-30V Dim 4500K 120° Black	5420061218599	€ 55
BB010PDNB12060	12-30V Dim 6000K 120° Black	5420061218605	€ 55

\*BRUTO WITHOUT VAT/PIECE

## 10W LED FLOOD LIGHT



Property	Value
Power	10W
Voltage	230V / 2ph + Gnd
Current	0.05A
Power Fact.	0.75
Intensity	860lm
Angle	120°
CCT/Color	4500
IRC	80
IPLevel	IP65
Dimensions	86x97x103mm
Casing Color	Black / Grey / White
Dimmable	No
LED	Spotled Bridgelux
Cable length	1.5m

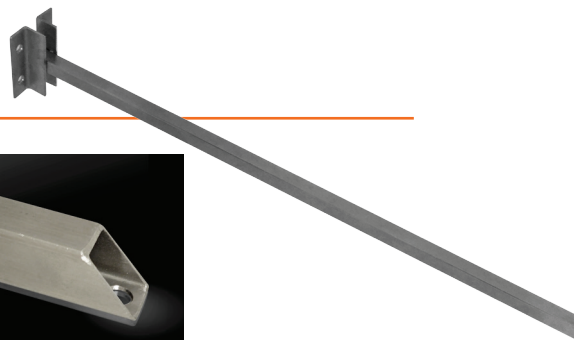
Note : Inverted cable gland position for downwards lighting

### References :

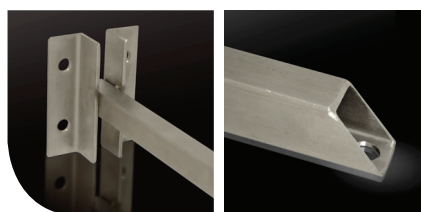
REF	Model	GTIN / EAN	PRICES*
BBS10PSHB12045	4500K 120° Black	5420061215864	€ 55
BBS10PSHW12045	4500K 120° White	5420061215871	€ 55
BBS10PSHG12045	4500K 120° Grey	5420061214782	€ 55

\*BRUTO WITHOUT VAT/PIECE

## STAINLESS STEEL ARM



Property  
 Stainless Steel Arm  
 750x20mm with  
 M10 hole and 30x30x100  
 mounting brackets



### References :

REF	GTIN / EAN	PRICES*
ZINOXBRA020750	5420061216540	€ 79,9

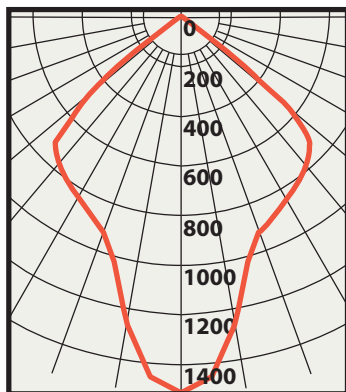
\*BRUTO WITHOUT VAT/PIECE

# 30W LED SPOT LIGHT

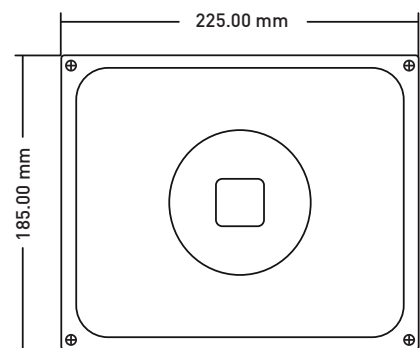
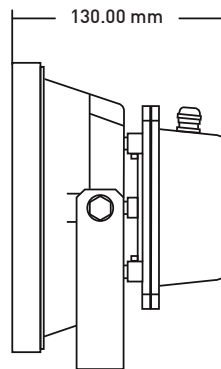
Property	Value
Power	30W
Voltage	230V / 2ph + Gnd
Current	0.13A
Power Fact.	0.96
Intensity	2600lm
Angle	90°
CCT/Color	3200/4000/6000K
IRC	>80 / >80 / >70
IPLevel	IP65
Dimensions	185x225x130mm
Casing Color	Black / Grey
Dimmable	No
LED	Spotled Bridgelux



### Goniogram



Goniogram for a 90° Fixture



High reliability  
LED chips by



### References :

REF	Model	GTIN / EAN	PRICES*
BB030PSH909030	3200K 90° Black	5420061207401	€ 134
BB030PSH909045	4500K 90° Black	5420061207395	€ 134
BB030PSH909060	6000K 90° Black	5420061207326	€ 134
BB030PSHG09030	3200K 90° Grey	5420061212504	€ 134
BB030PSHG09045	4500K 90° Grey	5420061212511	€ 134
BB030PSHG09060	6000K 90° Grey	5420061212528	€ 134

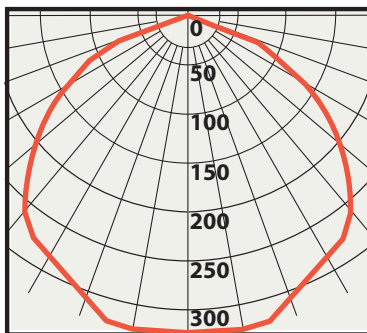
\*BRUTO WITHOUT VAT/PIECE

## 30W LED FLOOD LIGHT

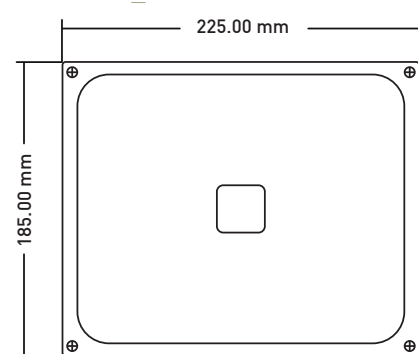
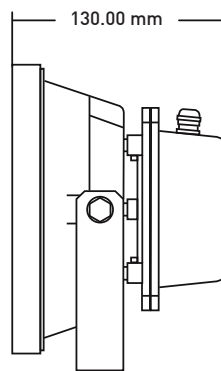
Property	Value
Power	30W
Voltage	230V / 2ph + Gnd
Current	0.13A
Power Fact.	0.96
Intensity	2600lm
Angle	120°
CCT/Color	3200/4000/6000K
IRC	>80 / >80 / >70
IPLevel	IP65
Dimensions	185x225x130mm
Casing Color	Black / Grey (other colors on request)
Dimmable	No
LED	Spotled Bridgelux



### Goniogram



Goniogram for a 120° Fixture



High reliability  
LED chips by



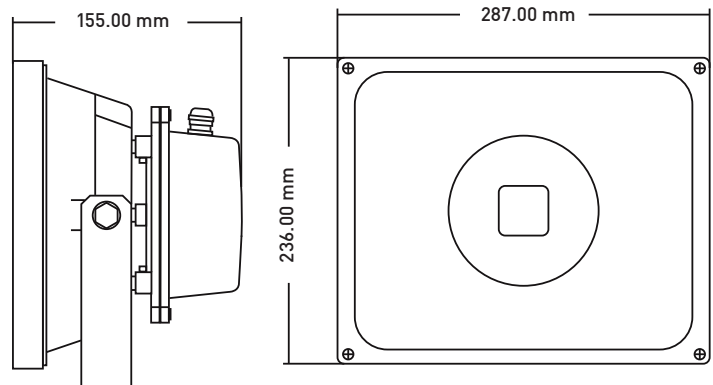
### References :

REF	Model	GTIN / EAN	PRICES*
BB030PSH912030	3200K 120° Black	5420061207333	€ 134
BB030PSH912045	4500K 120° Black	5420061207388	€ 134
BB030PSH912060	6000K 120° Black	5420061207340	€ 134
BB030PSHG12030	3200K 120° Grey	5420061210555	€ 134
BB030PSHG12045	4500K 120° Grey	5420061210074	€ 134
BB030PSHG12060	6000K 120° Grey	5420061212498	€ 134

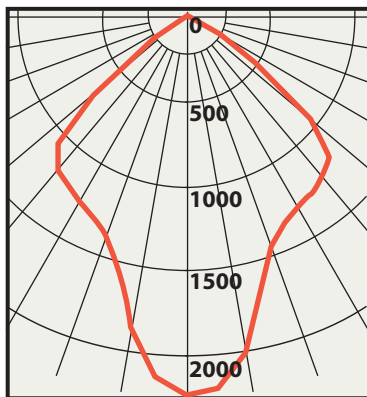
\*BRUTO WITHOUT VAT/PIECE

# 50W LED SPOT LIGHT

Property	Value
Power	50W
Voltage	230V / 2ph + Gnd
Current	0.22A
Power Fact.	0.96
Intensity	4300lm
Angle	90°
CCT/Color	3200/4000/6000K
IRC	>80 / >80 / >70
IPLevel	IP65
Dimensions	236x287x160mm
Casing Color	Black / Grey
Dimmable	No
LED	Spotted Bridgelux



### Goniogram



Goniogram for a 90° Fixture

High reliability  
LED chips by



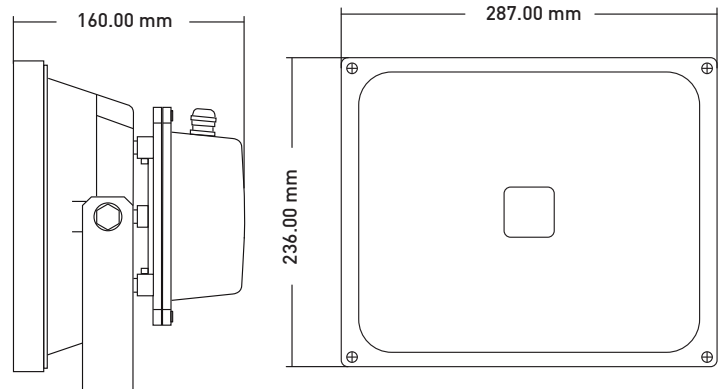
### References :

REF	Model	GTIN / EAN	PRICES*
BB050PSH909030	3200K 90° Black	5420061200921	€ 184
BB050PSH909045	4500K 90° Black	5420061200884	€ 184
BB050PSH909060	6000K 90° Black	5420061200891	€ 184
BB050PSHG09030	3200K 90° Grey	5420061212566	€ 184
BB050PSHG09045	4500K 90° Grey	5420061212573	€ 184
BB050PSHG09060	6000K 90° Grey	5420061212580	€ 184

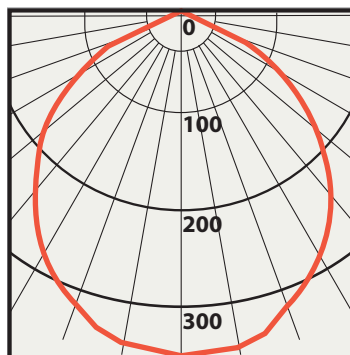
\*BRUTO WITHOUT VAT/PIECE

# 50W LED FLOOD LIGHT

Property	Value
Power	50W
Voltage	230V / 2ph + Gnd
Current	0.22A
Power Fact.	0.96
Intensity	4300lm
Angle	120°
CCT/Color	3200/4000/6000K
IRC	>80 / >80 / >70
IPLevel	IP65
Dimensions	236x287x160mm
Casing Color	Black / Grey (other colors on request)
Dimmable	No
LED	Spotted Bridgelux



### Goniogram



Goniogram for a 90° Fixture

High reliability  
LED chips by



## References :

REF	Model	GTIN / EAN	PRICES*
BB050PSH909030	3200K 90° Black	5420061200921	€ 184
BB050PSH909045	4500K 90° Black	5420061200884	€ 184
BB050PSH909060	6000K 90° Black	5420061200891	€ 184
BB050PSHG09030	3200K 90° Grey	5420061212566	€ 184
BB050PSHG09045	4500K 90° Grey	5420061212573	€ 184
BB050PSHG09060	6000K 90° Grey	5420061212580	€ 184

\*BRUTO WITHOUT VAT/PIECE

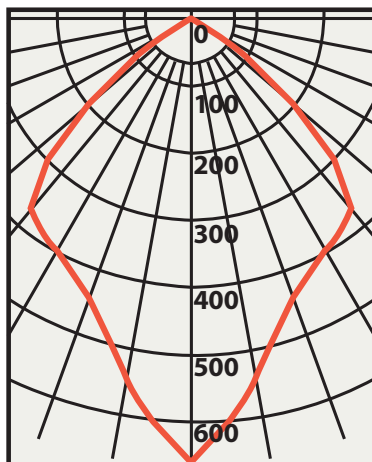
Heavy duty version on request

# 70W LED SPOT LIGHT

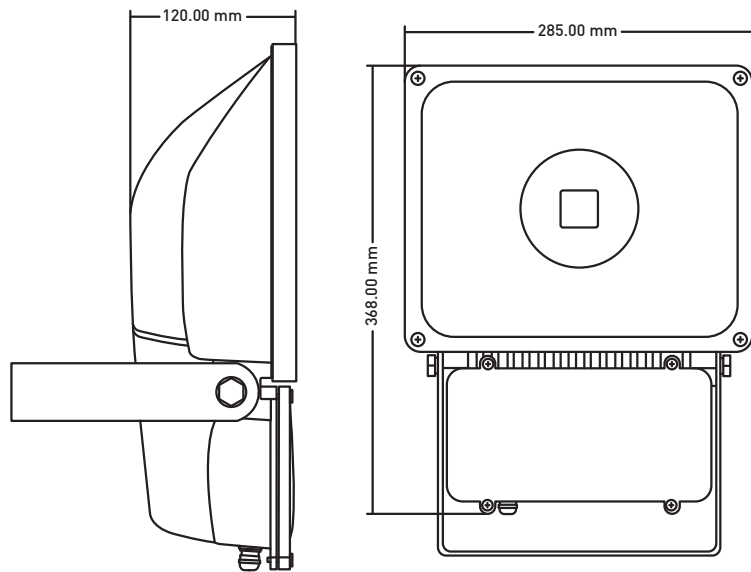
Property	Value
Power	70W
Voltage	230V / 2ph + Gnd
Current	0.31A
Power Fact.	0.96
Intensity	5800lm
Angle	40°
CCT/Color	3200/4000/6000K
IRC	>80 / >80 / >70
IPLevel	IP65
Dimensions	374x290x138mm
Casing Color	Black / Grey
Dimmable	No
LED	Spotled Bridgelux



### Goniogram



Goniogram for a 40° Fixture



High reliability  
LED chips by



### References :

REF	Model	GTIN / EAN	PRICES*
BB070PSH904030	3200K 40° Black	5420061202871	€ 289
BB070PSH904045	4500K 40° Black	5420061202864	€ 289
BB070PSH904060	6000K 40° Black	5420061202857	€ 289
BB070PSHG04030	3200K 40° Grey	5420061212627	€ 289
BB070PSHG04045	4500K 40° Grey	5420061212634	€ 289
BB070PSHG04060	6000K 40° Grey	5420061212641	€ 289

\*BRUTO WITHOUT VAT/PIECE

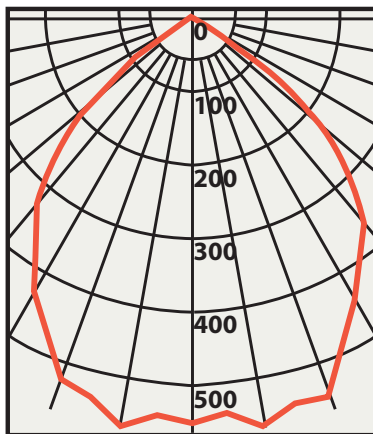


# 70W LED FLOOD LIGHT

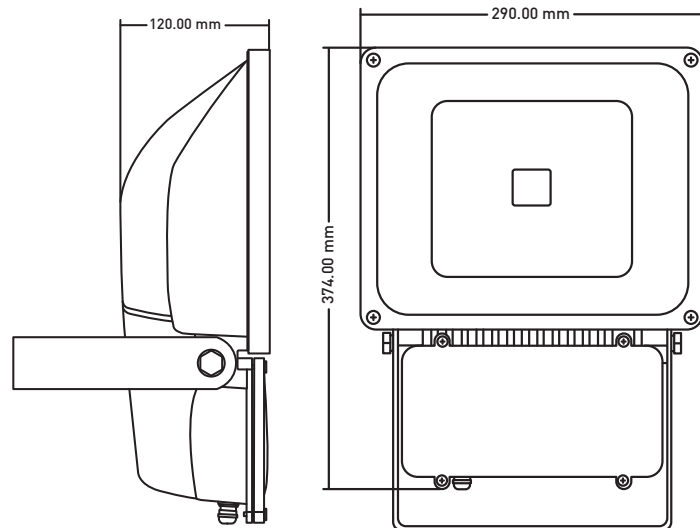
Property	Value
Power	70W
Voltage	230V / 2ph + Gnd
Current	0.31A
Power Fact.	0.96
Intensity	5800lm
Angle	120°
CCT/Color	3200/4000/6000K
IRC	>80 / >80 / >70
IPLevel	IP65
Dimensions	374x290x138mm
Casing Color	Black / Grey
Dimmable	No
LED	Spotled Bridgelux



## Goniogram



Goniogram for a 120° Fixture



High reliability  
LED chips by



## References :

REF	Model	GTIN / EAN	PRICES*
BB070PSH912030	3200K 120° Black	5420061202420	€ 289
BB070PSH912045	4500K 120° Black	5420061202444	€ 289
BB070PSH912060	6000K 120° Black	5420061202437	€ 289
BB070PSHG12030	3200K 120° Grey	5420061212597	€ 289
BB070PSHG12045	4500K 120° Grey	5420061212603	€ 289
BB070PSHG12060	6000K 120° Grey	5420061212610	€ 289

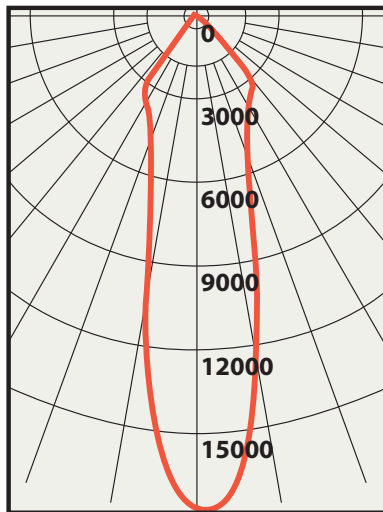
\*BRUTO WITHOUT VAT/PIECE

# 140W LED SPOT LIGHT

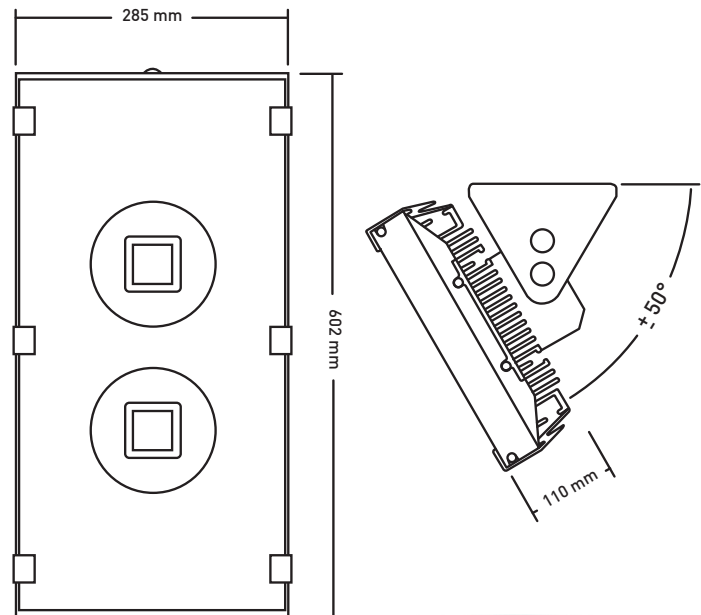
Property	Value
Power	140W
Voltage	230V / 2ph + Gnd
Current	0.61A
Power Fact.	0.96
Intensity	13000lm
Angle	40°
CCT/Color	3200/4500/6000K
IRC	>80 / >80 / >70
IPLevel	IP65
Dimensions	593x285x93mm
Casing Color	Black / Grey
Dimmable	No
LED	Spotled Bridgelux



## Goniogram



Goniogram for a 40° Fixture



High reliability  
LED chips by



## References :

REF	Model	GTIN / EAN	PRICES*
BB140PSH904030	3200K 40° Black	5420061204264	€ 729
BB140PSH904045	4500K 40° Black	5420061204233	€ 729
BB140PSH904060	6000K 40° Black	5420061212658	€ 729

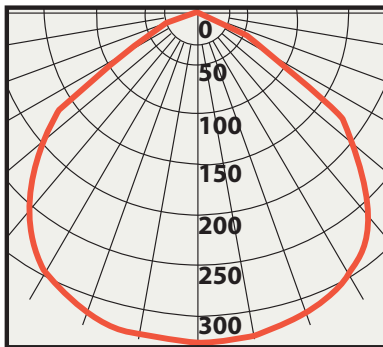
\*BRUTO WITHOUT VAT/PIECE

# 140W LED FLOOD LIGHT

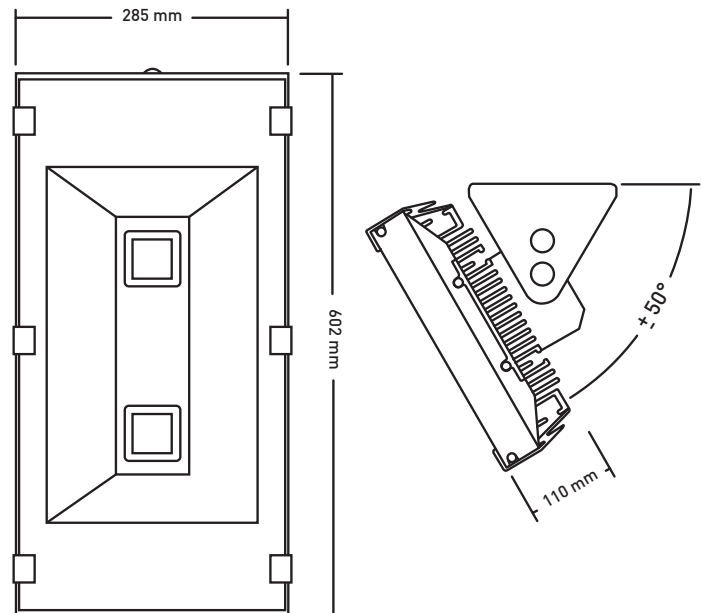
Property	Value
Power	140W
Voltage	230V / 2ph + Gnd
Current	0.61A
Power Fact.	0.96
Intensity	12600lm
Angle	120°
CCT/Color	3200/4500/6000K
IRC	>80 / >80 / >70
IPLevel	IP65
Dimensions	593x285x93mm
Casing Color	Black / Grey
Dimmable	No
LED	Spotted Bridgelux



## Goniogram



Goniogram for a 120° Fixture



High reliability  
LED chips by



## References :

REF	Model	GTIN / EAN	PRICES*
BB140PSH912030	3200K 120° Black	5420061204257	€ 729
BB140PSH912045	4500K 120° Black	5420061204271	€ 729
BB140PSH912060	6000K 120° Black	5420061204240	€ 729

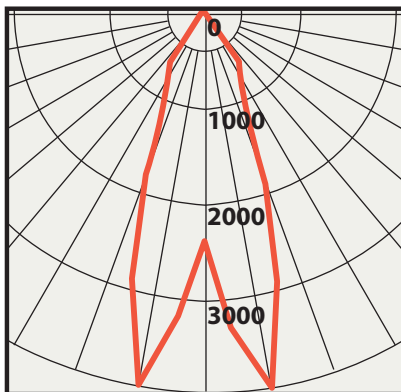
\*BRUTO WITHOUT VAT/PIECE

## 200W LED SPOT LIGHT

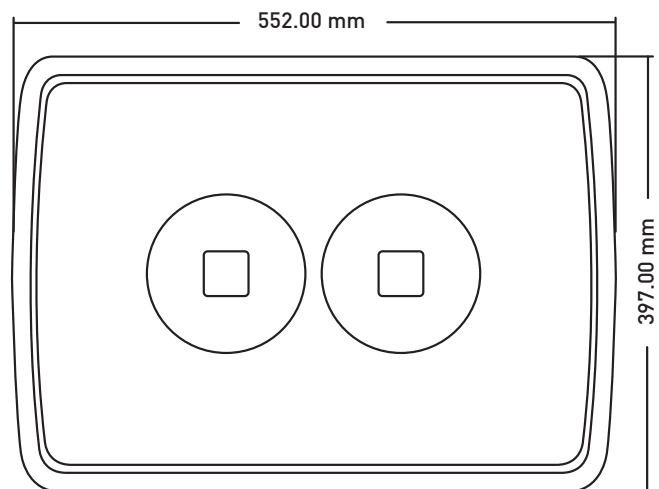
Property	Value
Power	200W
Voltage	230V / 2ph + Gnd
Current	0.90A
Power Fact.	0.96
Intensity	16400lm
Angle	40°
CCT/Color	3200/4000/6000K
IRC	>80 / >80 / >70
IPLevel	IP65
Dimensions	397x552mm
Casing Color	Black / Grey
Dimmable	No
LED	Spotled Bridgelux



### Goniogram



Goniogram for a 40° Fixture



High reliability  
LED chips by



### References :

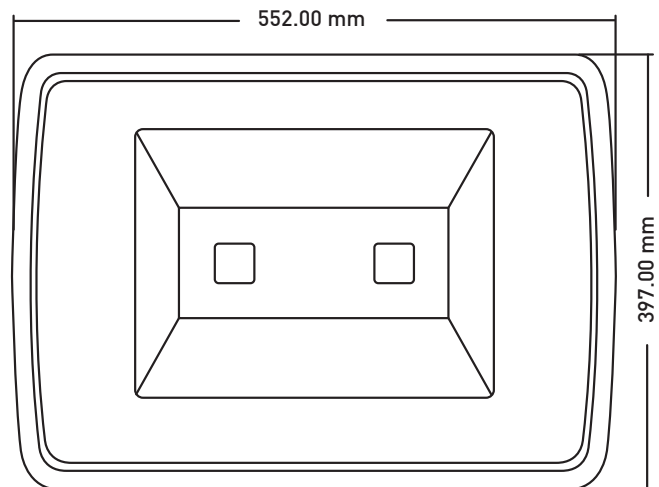
REF	Model	GTIN / EAN	PRICES*
BB200PSH904030	3200K 40° Black	5420061212405	€ 1099
BB200PSH904045	4500K 40° Black	5420061212412	€ 1099
BB200PSH904060	6000K 40° Black	5420061212429	€ 1099

Heavy duty version on request

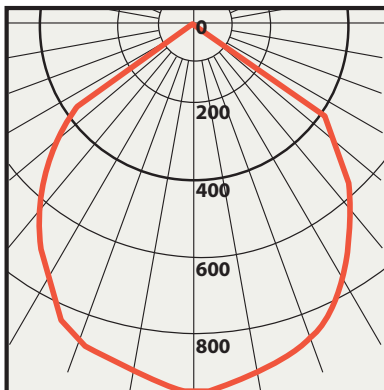
\*BRUTO WITHOUT VAT/PIECE

## 200W LED FLOOD LIGHT

Property	Value
Power	200W
Voltage	230V / 2ph + Gnd
Current	0.90A
Power Fact.	0.96
Intensity	17200lm
Angle	120°
CCT/Color	3200/4000/6000K
IRC	>80 / >80 / >70
IPLevel	IP65
Dimensions	397x552mm
Casing Color	Black / Grey
Dimmable	No
LED	Spotled Bridgelux



### Goniogram



Goniogram for a 40° Fixture

High reliability  
LED chips by



### References :

REF	Model	GTIN / EAN	PRICES*
BB200PSH912030	3200K 120° Black	5420061212375	€ 1099
BB200PSH912045	4500K 120° Black	5420061212382	€ 1099
BB200PSH912060	6000K 120° Black	5420061212399	€ 1099

Heavy duty version on request

\*BRUTO WITHOUT VAT/PIECE

## 300W LED FLOOD LIGHT

Property	Value
LED Power	300W
System Power	330W
Input Voltage	90-264V
Power supply/Driver	Meanwell HLG-185 2pcs
LED Source	Philips Rebel
Luminous Flux	30000lm
Beam Angle (°)	15x15 / 30x30 / 60x135 /85x135
Color Temperature	4500K
Life Span	50000hrs
IP-protection	IP65
CRI	Typ.70
Power factor	→95
Working Temperature	-25° to +45°
Energy saving rate	→50%
Product Dimension	507*584*99
Weight (kg)	15.6
Packing size /GW	17.6
Description of light technique	Unique patented thermal management design Low LED junction temperature Available in different beam angle,
Certificates	CE, Rohs
Warranty	3 years

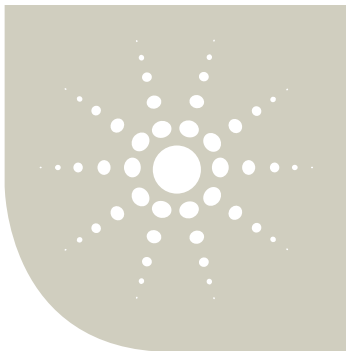


### References :

REF	Model	GTIN / EAN	PRICES*
I122175	300W 85 x 130° 4500K	5420061221759	€ 1699

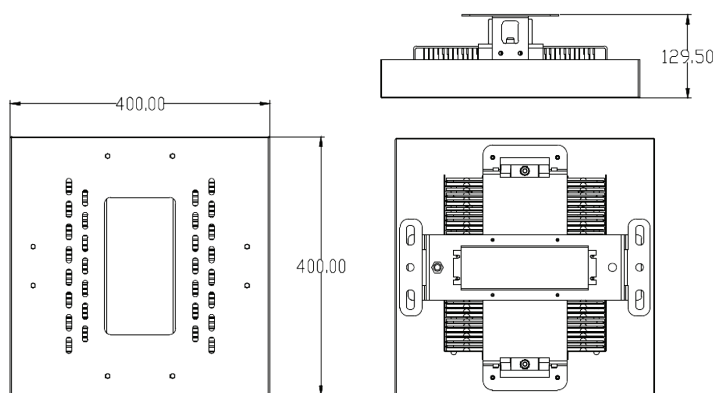
\*BRUTO WITHOUT VAT/PIECE

## Low Bays & High Bays



# LOW BAY LED CANOPY LIGHT

Property	Value
Input Voltage	90-277 VAC, 50/60 Hz
LED Qty	60 pcs
LED Power	120W
Total System Power	135W
LED Luminous Efficiency	120-130 Lm /W
Luminous Flux	12,000 Lm
Color Temperature	4500K
Color Rendering Index	Typ. 70
Light Distribution	symmetric /circle spread
Beam Angle	60 degree
Working Temperature	-40° ~ 45°
Storage Temperature	-40° ~ +65° (Best 25°C)
IP Rating	IP65
Net weight	6.5 Kg
Life-span	→50000H
Certificates	CE ; RoHS



## References :

REF	Model	GTIN / EAN	PRICES*
I122174	12000lm 4500K IP65	5420061221742	€ 799

\*BRUTO WITHOUT VAT/PIECE

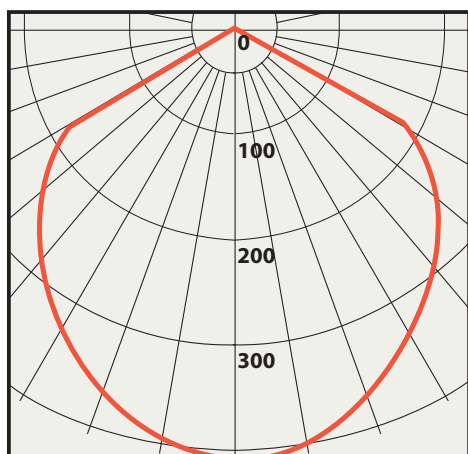


## HIGH BAY LED LIGHT 100W

Property	Value
Power	100W
Voltage	230VAC
Current	0.23A
Power Fact.	>0.9
Intensity	9000lm
Angle	120°/60°
CCT/Color	3200/4500/6000K
IRC	>80
IPLevel	IP65
Dimensions	515x414mm (120°)
Casing Color	Black / Aluminium
Dimmable	No
LED	45x45mm Bridgelux



### Goniogram



Goniogram for a 120° Fixture

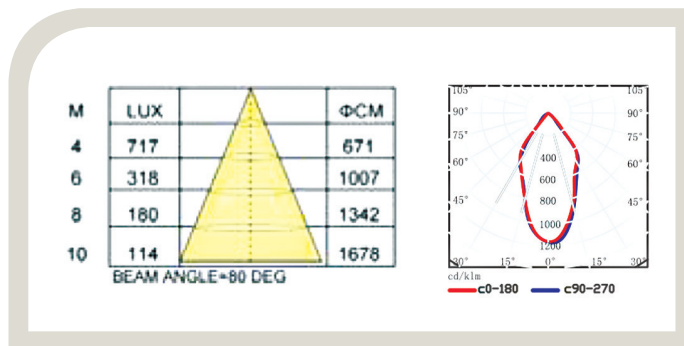
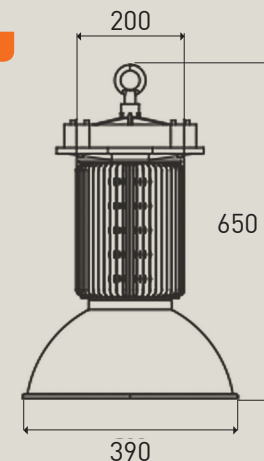
### References :

REF	Model	GTIN / EAN	PRICES*
BB100HSH906030	3200K 60°	5420061203748	€ 499
BB100HSH906045	4500K 60°	5420061203731	€ 499
BB100HSH906060	6000K 60°	5420061203724	€ 499
BB100HSH912030	3200K 120°	5420061212436	€ 499
BB100HSH912045	4500K 120°	5420061212443	€ 499
BB100HSH912060	6000K 120°	5420061212450	€ 499

\*BRUTO WITHOUT VAT/PIECE

# HIGH BAY LED LIGHTS 100W - 150W

Property	Value
Product Name	100W / 150W LED high bay light
LED Power LED	100 / 150W
Input Voltage	90-305V
Power supply/Driver	Meanwell HLG Series (90-264V / 36V)
LED Source LED	Edison
Luminous Flux	9000lm / 13500lm
Beam Angle (0)	80 (PC);80(AL) 100/120 (AL)
Color Temperature LED	4500K
Life Span	50000hrs
IP-protection IP	IP IP40 (IP65 available upon request)
CRI	→70
Power factor	→95
Working Temperature	-25° to +45°
Product Dimension	ø390x650 (with 80° reflector) ø590x670 (with 100° reflector)
Weight (kg)	IP40 = 7KG, IP65 = 7.4KG
Packing size /GW	lamp: 32*32*53cm / 7.4kg 80° reflector: 43*43*48 (5pcs) / 3.6kg 100° reflector: 63*63*30 (5pcs) / 5.5k
Description of light technique	Unique patented thermal management design low LED junction temperature around 55 degree celsius light weight for safe usage
Certificates	CE, Rohs, FCC,ETL,GS,SAA,TUV
Warranty	IP40 = 5years, IP65 = 5 years


**Measure**


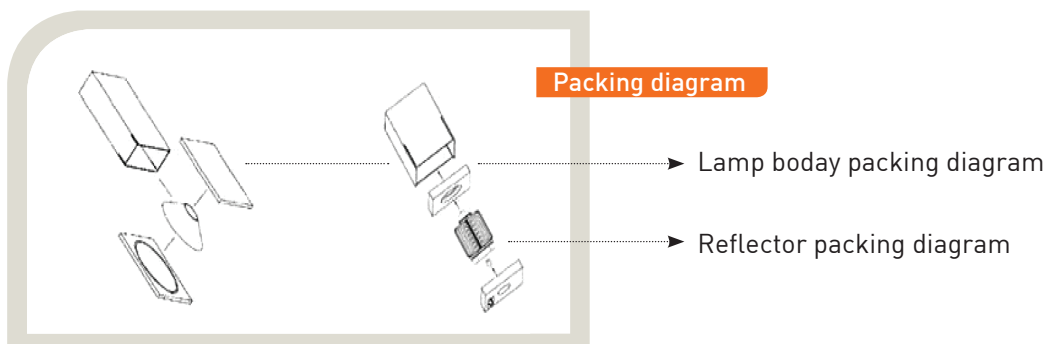
## References :

REF	Model	GTIN / EAN	PRICES*
I122207	High Bay LED Lights 100W 90-264VAC 120° IP40	5420061222077	€ 539
I122209	High Bay LED Lights 150W 90-264VAC 120° IP40	5420061222091	€ 629
I122211	High Bay LED Lights 100W 90-264VAC 120° IP65	5420061222114	€ 539
I122212	High Bay LED Lights 150W 90-264VAC 120° IP65	5420061222121	€ 629

\*BRUTO WITHOUT VAT/PIECE

# HIGH BAY LED LIGHT 250W

Property	Value
Product Name	250W LED high bay light
LED Power LED	250W
Input Voltage	90-264V
Power supply/Driver	Meanwell HLG-320 (90-264V / 36V)
LED Source LED	Philips Rebel
Luminous Flux	25000lm
Beam Angle (0)	80 (PC); 80(AL) 100/120 (AL)
Color Temperature LED	4500K
Life Span	50000hrs
IP-protection IP	IP65
CRI	→70
Power factor	→95
Working Temperature	-25° to +45°
Product Dimension	Φ390x630 (with 800 reflector) Φ590x650 (with 1000 reflector)
Weight (kg)	8
Packing size /GW	lamp: 38*38*53cm / 9.5kg 80° reflector: 43*43*48 (5pcs) / 3.6kg 100° reflector: 63*63*30 (5pcs) / 5.5kg
Description of light technique	Unique patented thermal management design low LED junction temperature around 55 degree celsius extremely light weight for safety usage
Certificates	CE, Rohs, FCC
Warranty	3 years

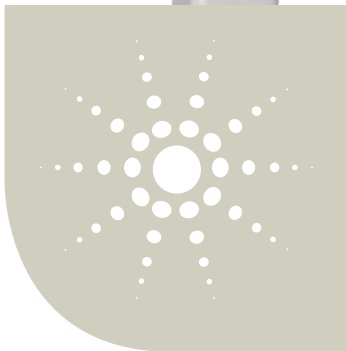


## References :

REF	Model	GTIN / EAN	PRICES*
I122173	High Bay 250W 100°	5420061208750	€ 1299
I122190	High Bay 250W 80°	5420061221902	€ 1299

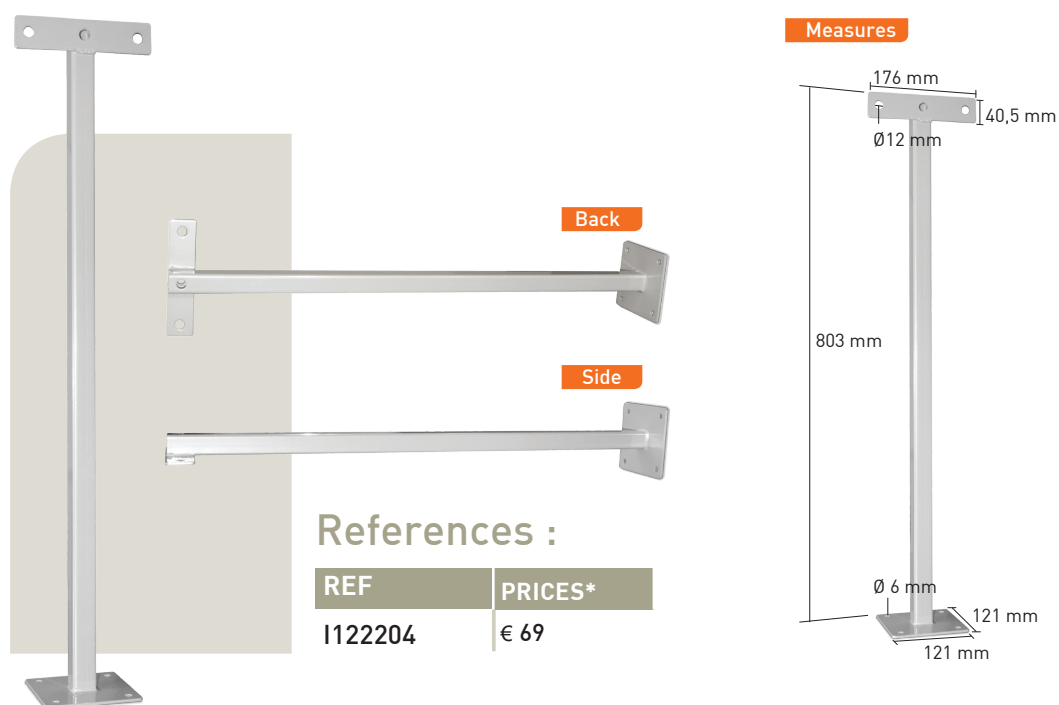
\*BRUTO WITHOUT VAT/PIECE

## Accessories

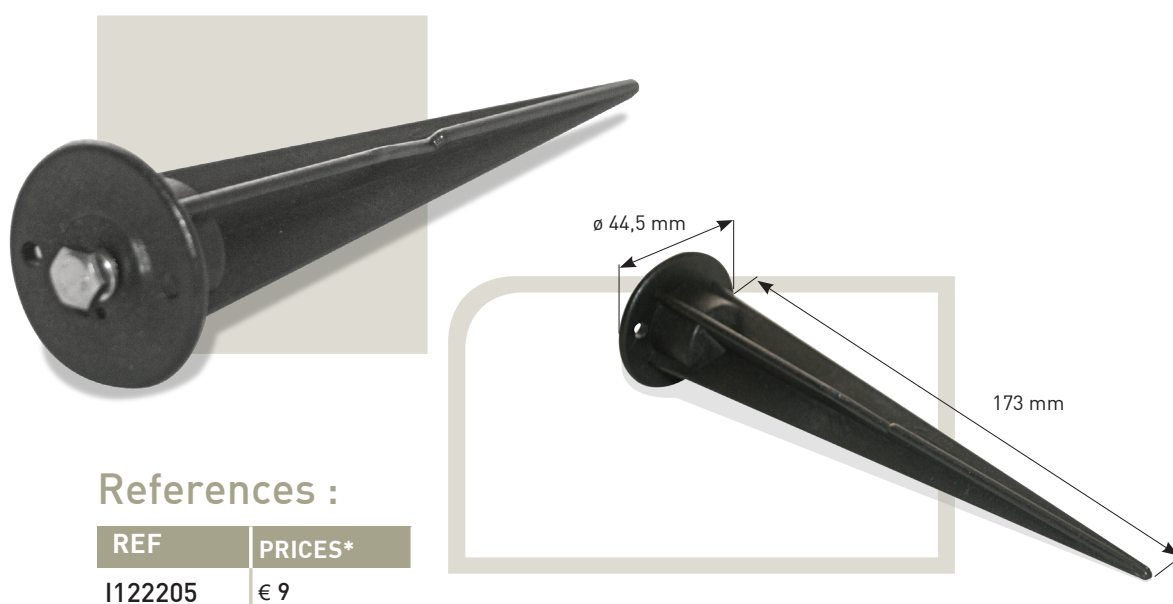


## ACCESSORIES FOR FLOOD LIGHTS

### BRACKET FOR 70W FLOOD LIGHT



### PLASTIC SPIKE FOR 10W FLOOD LIGHT





## **Spotted heavy duty Series**

For industrial applications

Send us your price request





Ceiling LED  
Tiles



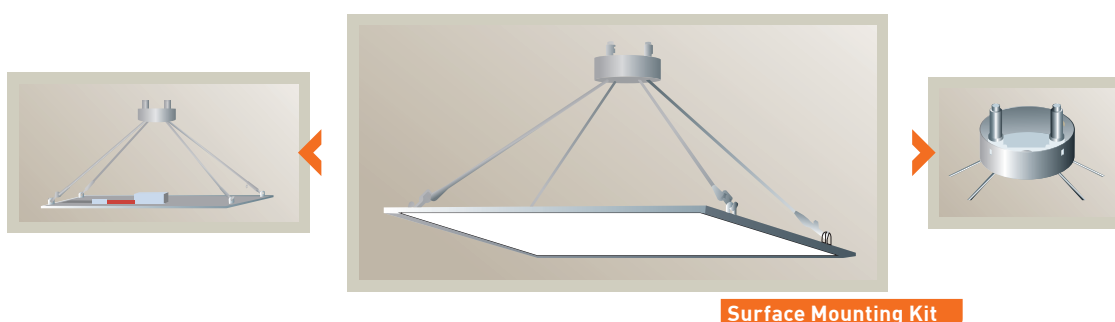


## Ceiling LED Tiles details

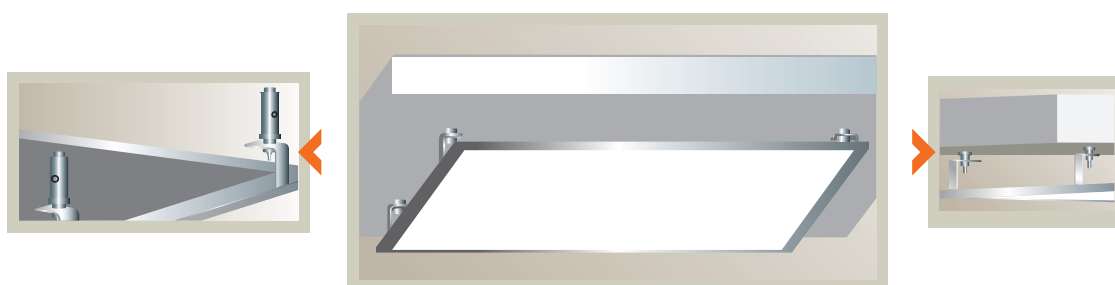


- Manufactured with Samsung 5630 SMD LEDs.
- CRI : 80
- Efficiency: 70lm/W
- Delivered with high efficiency constant current drivers
- Even light distribution

## CPSURFMOUNTKIT



Surface Mounting Kit



Hanging Mounting Kit

## References :

REF	Model	GTIN / EAN	PRICES*
CPSURFMOUNTKIT	Surface Mounting Kit	5420061211682	€ 29
CPWIHANGINGKIT	Wire Hanging Kit	5420061211675	€ 29

\*BRUTO WITHOUT VAT/PIECE

## 30 X 30 CEILING LED TILE

Property	Value
Power	14W
Voltage	230V / ext.PSU
Power Fact.	0.96
Intensity	850lm
Angle	120°
CCT/Color	3000/4000/6000K
IRC	>80 / >80 / >70
IPLevel	IP20
Dimensions	295x295x8mm
Casing Color	White & Silver
Dimmable	No
LED	Jufei 5630 SMD



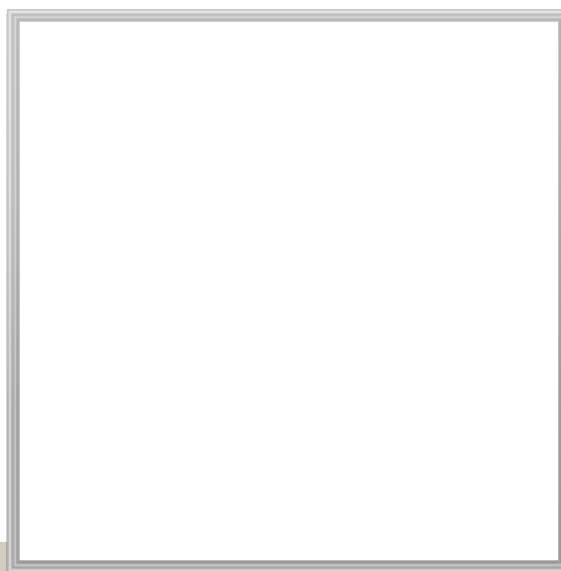
### References :

REF	Model	GTIN / EAN	PRICES*
CP014NSH030330	30x30cm 850lm 3000K	5420061213143	€ 84
CP014NSH030340	30x30cm 850lm 4000K	5420061211644	€ 84
CP014NSH030360	30x30cm 850lm 6000K	5420061213372	€ 84

\*BRUTO WITHOUT VAT/PIECE

## 60 X 60 2800LM CEILING LED TILE

Property	Value
Power	40W
Voltage	230V / ext.PSU
Power Fact.	0.96
Intensity	2800lm
Angle	120°
CCT/Color	3000/4000/6000K
IRC	>80 / >80 / >70
IPLevel	IP20
Dimensions	595x595x8mm
Casing Color	White & Silver
Dimmable	No / Yes
LED	Samsung 5630 SMD



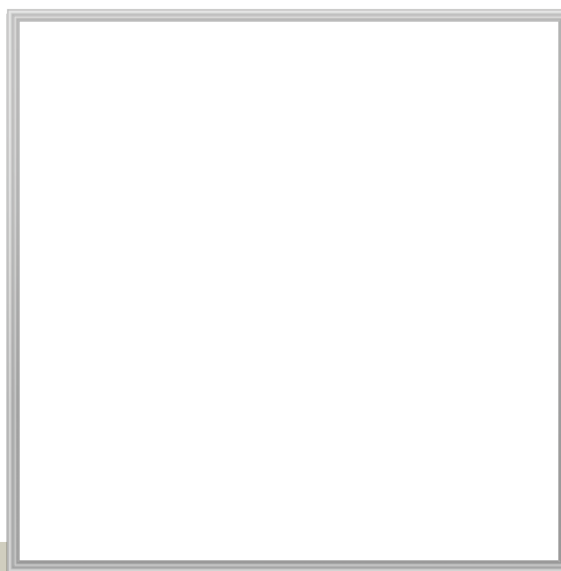
### References :

REF	Model	GTIN / EAN	PRICES*
CG040NSE060630	60x60cm 2800lm 3000K	5420061215604	€ 199
CG040NSE060640	60x60cm 2800lm 4000K	5420061215611	€ 199
CG040NSE060660	60x60cm 2800lm 6000K	5420061215628	€ 199
CG040NDE060630	60x60cm 2800lm 3000K Dimmable	5420061215727	€ 204
CG040NDE060640	60x60cm 2800lm 4000K Dimmable	5420061215734	€ 204
CG040NDE060660	60x60cm 2800lm 6000K Dimmable	5420061215741	€ 204

\*BRUTO WITHOUT VAT/PIECE

## 60 X 60 3800LM CEILING LED TILE

Property	Value
Power	55W
Voltage	230V / ext.PSU
Power Fact.	0.96
Intensity	3800lm
Angle	120°
CCT/Color	3000/4000/6000K
IRC	>80 / >80 / >70
IPLevel	IP20
Dimensions	595x595x8mm
Casing Color	White & Silver
Dimmable	No / Yes
LED	Samsung 5630 SMD



### References :

REF	Model	GTIN / EAN	PRICES*
CG055NSE060630	60x60cm 3800lm 3000K	5420061215666	€ 229
CG055NSE060640	60x60cm 3800lm 4000K	5420061215673	€ 229
CG055NSE060660	60x60cm 3800lm 6000K	5420061215680	€ 229
CG055NDE060630	60x60cm 3800lm 3000K Dimmable	5420061215789	€ 234
CG055NDE060640	60x60cm 3800lm 4000K Dimmable	5420061215796	€ 234
CG055NDE060660	60x60cm 3800lm 6000K Dimmable	5420061215802	€ 234

\*BRUTO WITHOUT VAT/PIECE

## 120 X 30 2800LM CEILING LED TILE

Property	Value
Power	40W
Voltage	230V / ext.PSU
Power Fact.	0.96
Intensity	2800lm
Angle	120°
CCT/Color	3000/4000/6000K
IRC	>80 / >80 / >70
IPLevel	IP20
Dimensions	1195x295x8mm
Casing Color	White & Silver
Dimmable	No / Yes
LED	Samsung 5630 SMD



### References :

REF	Model	GTIN / EAN	PRICES*
CG040NSE120330	120x30cm 2800lm 3000K	5420061215635	€ 199
CG040NSE120340	120x30cm 2800lm 4000K	5420061215642	€ 199
CG040NSE120360	120x30cm 2800lm 6000K	5420061215659	€ 199
CG040NDE120330	120x30cm 2800lm 3000K Dimmable	5420061215758	€ 204
CG040NDE120340	120x30cm 2800lm 4000K Dimmable	5420061215765	€ 204
CG040NDE120360	120x30cm 2800lm 6000K Dimmable	5420061215772	€ 204

\*BRUTO WITHOUT VAT/PIECE

## 120 X 30 3800LM CEILING LED TILE

Property	Value
Power	55W
Voltage	230V / ext.PSU
Power Fact.	0.96
Intensity	3800lm
Angle	120°
CCT/Color	3000/4000/6000K
IRC	>80 / >80 / >70
IPLevel	IP20
Dimensions	1200x300x8mm
Casing Color	White & Silver
Dimmable	No / Yes
LED	Samsung 5630 SMD



### References :

REF	Model	GTIN / EAN	PRICES*
CG055NSE120330	120x30cm 3800lm 3000K	5420061215697	€ 229
CG055NSE120340	120x30cm 3800lm 4000K	5420061215703	€ 229
CG055NSE120360	120x30cm 3800lm 6000K	5420061215710	€ 229
CG055NDE120330	120x30cm 3800lm 3000K Dimmable	5420061215819	€ 234
CG055NDE120340	120x30cm 3800lm 4000K Dimmable	5420061215826	€ 234
CG055NDE120360	120x30cm 3800lm 6000K Dimmable	5420061215833	€ 234

\*BRUTO WITHOUT VAT/PIECE









## Flexible LED Strips



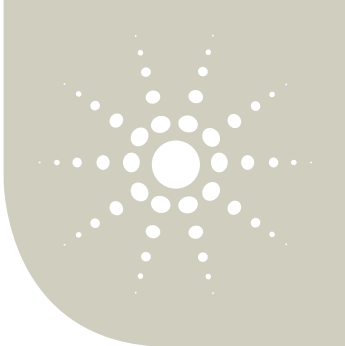
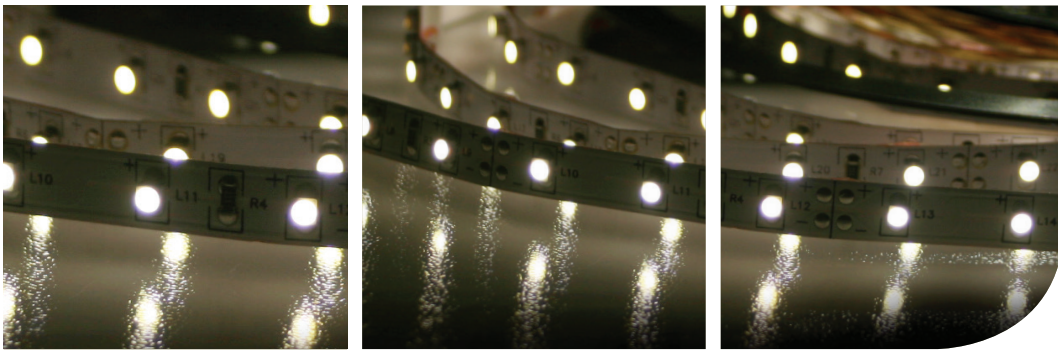
# Spotted LED Strip Summary Table

REFERENCE	lm	A	V	W max	m	W/m	Nombre de strips par alimentation - Amount of strips per Power Supply - Aantal LED strip per voeding										Color Wheel/Ctrl	2 Push But Ctrl	J RG- BREMC- TRLRK	Dimmer		
							I401292	I401286	I401297	I401298	I401290	I401289	SPDCLG010000		6MWCLG_15000						SPDCLG020000	
JP018EDL912030	1400	2,0	12	24	5	4,8	1,3	24V 30W	12V 50W	24V 50W	12V 75W	24V 75W	12V 100W	24V 100W	12V 132W	24V 150W	12 - NA	24V 200W	12/24V 3x2A	12/24V 3x4A	I035203/4	4,0
JP018EDL912045	1400	2,0	12	24	5	4,8	1,3		2,1	2,1	3,1	3,1	4,2	4,2	5,5							4,0
JP018EDL912060	1400	2,0	12	24	5	4,8	1,3		2,1	2,1	3,1	3,1	4,2	4,2	5,5							4,0
IP024EDL912030	1900	2,0	12	24	5	4,8	1,3		2,1	2,1	3,1	3,1	4,2	4,2	5,5							4,0
IP024EDL912063	1900	2,0	12	24	5	4,8	1,3		2,1	2,1	3,1	3,1	4,2	4,2	5,5							4,0
JP030EDL912030	2400	3,0	12	36	5	7,2	0,8		1,4	1,4	2,1	2,1	2,8	2,8	3,7							2,7
JP030EDL912045	2400	3,0	12	36	5	7,2	0,8		1,4	1,4	2,1	2,1	2,8	2,8	3,7							2,7
JP030EDL912060	2400	3,0	12	36	5	7,2	0,8		1,4	1,4	2,1	2,1	2,8	2,8	3,7							2,7
JP029EDL912030	3840	4,0	12	48	5	9,6	0,6		1,0	1,0	1,6	1,6	2,1	2,1	2,8							2,0
JP029EDL912045	2640	4,0	12	48	5	9,6	0,6		1,0	1,0	1,6	1,6	2,1	2,1	2,8							2,0
JP029EDL912060	2640	4,0	12	48	5	9,6	0,6		1,0	1,0	1,6	1,6	2,1	2,1	2,8							2,0
JP030EDL91203C	-	3,0	12	36	5	7,2	0,8		1,4	1,4	2,1	2,1	2,8	2,8	3,7			5,0	2,0	2,0	4,0	
IP036EDL91203C	-	3,0	12	36	5	7,2	0,8		1,4	1,4	2,1	2,1	2,8	2,8	3,7			5,0	2,0	2,0	4,0	
JP045EDN912030	3600	2,0	24	48	5	9,6		0,6														4,0
JP045EDN912045	3600	2,0	24	48	5	9,6		0,6														4,0
JP045EDN912060	3600	2,0	24	48	5	9,6		0,6														4,0
JP055EDN912030	4400	3,0	24	72	5	14,4		0,4														2,7
JP055EDN912045	4400	3,0	24	72	5	14,4		0,4														2,7
JP055EDN912060	4400	3,0	24	72	5	14,4		0,4														2,7
JP055EDN912060	4400	3,0	24	72	5	14,4		0,4														2,7
JP055EDN91203C	-	3,0	24	72	5	14,4		0,4														2,7
IP060EDN91203C	-	2,5	24	60	5	12,0		0,5														3,2
IP096EDN912030	5000	4,0	24	96	5	19,2		0,3														
IP096EDN912063	5000	4,0	24	96	5	19,2		0,3														
UP072EDN912027	5250	3,0	24	72	5	14,4		0,4														
UP072EDN912045	5250	3,0	24	72	5	14,4		0,4														
UP072EDN912060	5250	3,0	24	72	5	14,4		0,4														
UP108EDN912027	7750	4,5	24	108	5	21,6		0,3														
UP108EDN912045	7750	4,5	24	108	5	21,6		0,3														
UP108EDN912060	7750	4,5	24	108	5	21,6		0,3														
JP024FDL012030	1920	3,0	12	36	5	7,2	0,8		1,4	1,4	2,1	2,1	2,8	2,8	3,7							2,7
JP024FDL012045	1920	3,0	12	36	5	7,2	0,8		1,4	1,4	2,1	2,1	2,8	2,8	3,7							2,7
JP024FDL012060	1920	3,0	12	36	5	7,2	0,8		1,4	1,4	2,1	2,1	2,8	2,8	3,7							2,7
JP027FDL01203C	-	3,1	12	37	5	7,4	0,8		1,4	1,4	2,0	2,0	2,7	2,7	3,6			4,9	1,9	3,9		
JP045FDN012030	3600	2,0	24	48	5	9,6		0,6														4,0
JP045FDN012045	3600	2,0	24	48	5	9,6		0,6														4,0
JP045FDN012060	3600	2,0	24	48	5	9,6		0,6														4,0
JP055FDN012030	4400	3,0	24	72	5	14,4		0,4														2,7
JP055FDN012045	4400	3,0	24	72	5	14,4		0,4														2,7
JP055FDN012060	4400	3,0	24	72	5	14,4		0,4														2,7
JP055FDN01203C	-	3,0	24	72	5	14,4		0,4														2,7

## INTERIEUR INDOOR BINNEN

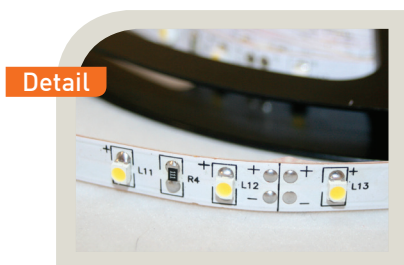
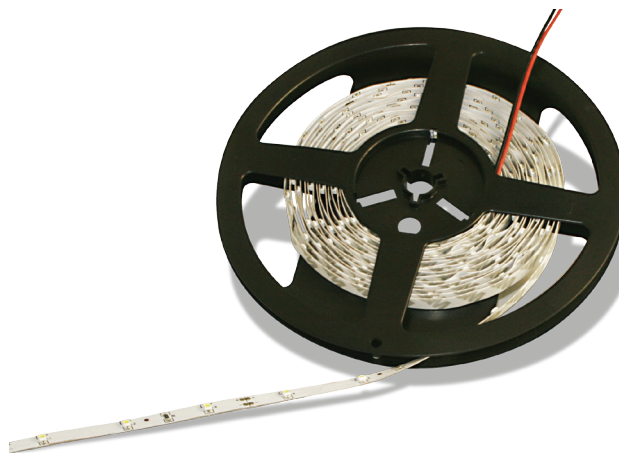
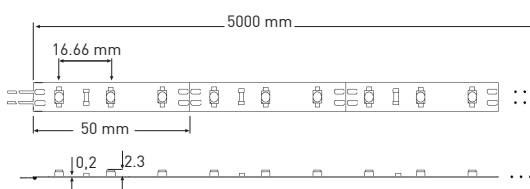
## OUTDOOR

# Flexible LED Strips



## FLEXIBLE LED STRIP NON WATERPROOF 60 LED 3528/M 4W/M

Property	Value
Power	18W/5m *
Power max	24W/5m
Voltage	12VDC
LED Type	3528
Intensity	1400 lm *
Angle	120°
Dimensions	5000x10x2,3mm
LED/m	60 LED/m


**Detail**

**Light Effects :**


### References :

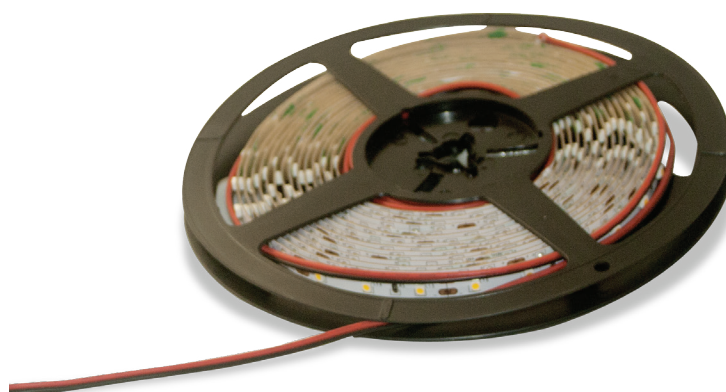
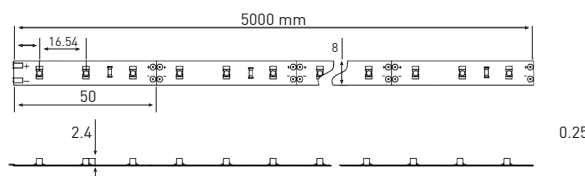
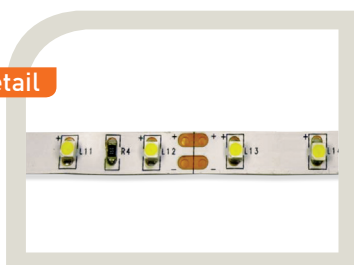
REF	Model	GTIN / EAN	PRICES*
JP018EDL912030	120° Warm White	5420061208279	€ 59
JP018EDL912045	120° Neutral White	5420061208286	€ 59
JP018EDL912060	120° Cool White	5420061208293	€ 59

\*BRUTO WITHOUT VAT/PIECE

\* One reel powered on one side

## FLEXIBLE LED STRIP NON WATERPROOF 60 LED 3528/M 5W/M

Property	Value
Power	24W/5m
Voltage	12 VDC
LED Type	3528
Angle	120°
Dimensions	5000x8x2,4mm
Light Output	1900lm/5m
Protection	IP20
double side tape	yes


**Detail**

**Light Effects :**


### References :

REF	Model	GTIN / EAN	PRICES*
IP024EDL912030	12 VDC Cool White	54200612006497	€ 64
IP024EDL912063	12 VDC Warm White	54200612006473	€ 64

\*BRUTO WITHOUT VAT/PIECE

## FLEXIBLE LED STRIP NON WATERPROOF 120LED 3020/M 7W/M

Property	Value
Power	33W/5m *
Power max	48W/5m
Voltage	12VDC
LED Type	3020
Angle	120°
Dimensions	5000x10x3mm
Light Output	2600lm/5m *
Protection	IP20
double side tape	yes



### References :

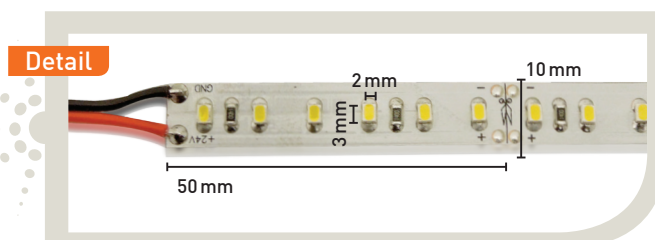
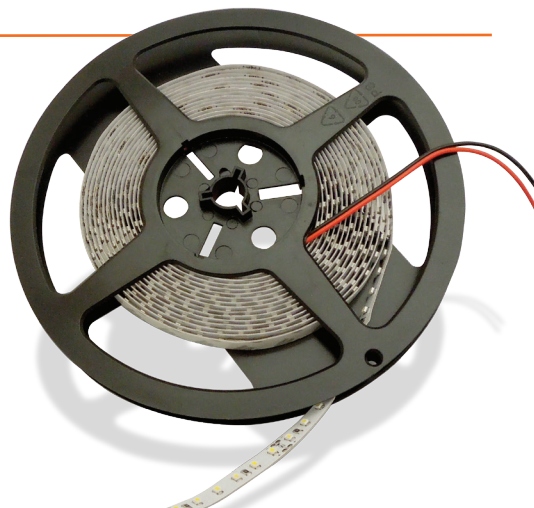
REF	Model	GTIN / EAN	PRICES*
JP029EDL912030	12VDC Warm White	5420061208750	€ 109
JP029EDL912045	12VDC Neutral White	5420061210630	€ 109
JP029EDL912060	12VDC Cool White	5420061208767	€ 109

\*BRUTO WITHOUT VAT/PIECE

\* One reel powered on one side

## FLEXIBLE LED STRIP NON WATERPROOF 120LED 3020/M 9W/M

Property	Value
Power	45W/5m *
Power ,max	48W/5m
Voltage	24V DC
LED Type	3020
Angle	120°
Dimensions	5000x10x3mm
Light Output	3600lm/5m *
Protection	IP20
double side tape	yes



### Light Effects :



### References :

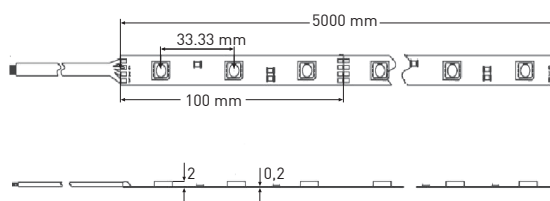
REF	Model	GTIN / EAN	PRICES*
JP045EDN912030	Warm White 3000K, IP20	5420061213532	€ 109
JP045EDN912045	Neutral White 4500K, IP20	5420061219008	€ 109
JP045EDN912060	Cool White 6000K, IP20	5420061213808	€ 109
JP045FDN012030	Warm White 3000K, IP68	5420061213549	€ 164
JP045FDN012045	Neutral White 4500K, IP68	5420061219015	€ 164
JP045FDN012060	Cool White 6000K, IP68	5420061214805	€ 164

\* One reel powered on one side

\*BRUTO WITHOUT VAT/PIECE

## FLEXIBLE LED STRIP NON WATERPROOF 30 LED 5050/M 6W/M

Property	Value
Power	30W/5m *
Power max	36W/5m
Voltage	12VDC
LED Type	5050
Angle	120°
Dimensions	5000x12x3mm
Light Output	2400lm/5m *
Protection	IP20
double side tape	yes



### References :

REF	Model	GTIN / EAN	PRICES*
JP030EDL912030	12VDC Warm White	5420061205650	€ 109
JP030EDL912045	12VDC Neutral White	5420061205643	€ 109
JP030EDL912060	12VDC Cool White	5420061205667	€ 109
JP030EDL91203C	12VDC RGB	5420061205636	€ 109

\* One reel powered on one side

\*BRUTO WITHOUT VAT/PIECE



## FLEXIBLE LED STRIP NON WATERPROOF 30 LED 5050/M (RGB) 7W/M

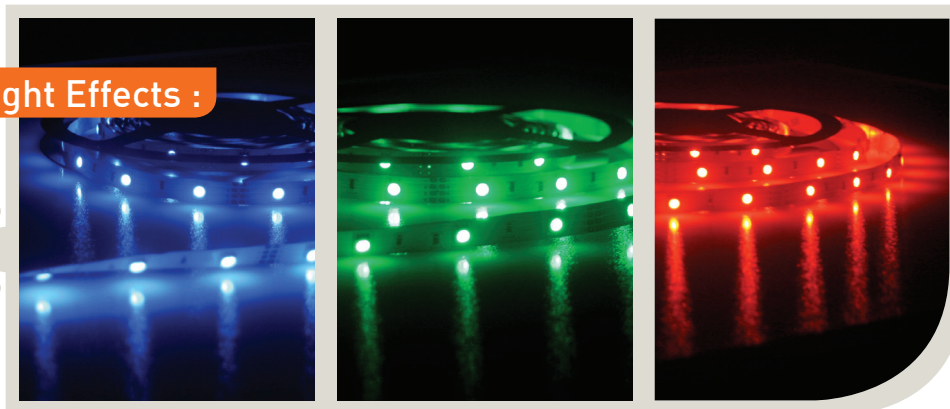
Property	Value
Power	36W
Voltage	12 VDC
LED Type	5050
Angle	120°
Dimensions	5000 x10x3mm
Protection	IP20
double side tape	yes



Detail



Light Effects :



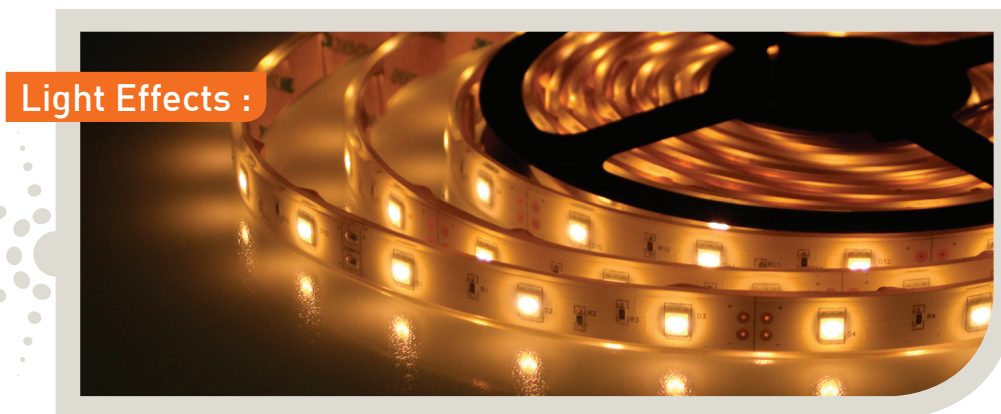
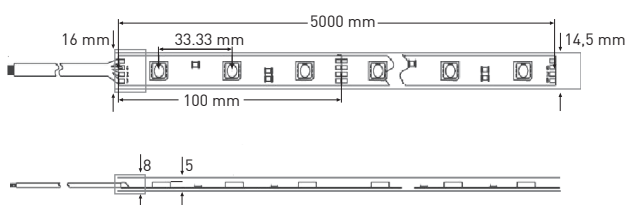
### References :

REF	Model	GTIN / EAN	PRICES*
IP036EDL91203C	RGB 30 LED/m	5420061213884	€ 139

\*BRUTO WITHOUT VAT/PIECE

## FLEXIBLE LED STRIP WATERPROOF 30 LED 5050/M 6W/M

Property	Value
Power	24/27W/5m *
Power max	36W/5m
Voltage	12V DC
LED Type	5050
Angle	120°
Dimensions	5000x15x5mm
Light Output	2000lm/5m *
Protection	IP68
double side tape	yes


**Detail**

**Light Effects :**

### References :

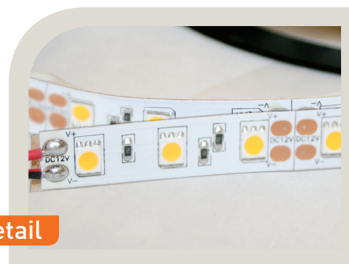
REF	Model	GTIN / EAN	PRICES*
JP024FDL012030	12VDC Warm White	5420061206107	€ 139
JP024FDL012045	12VDC Neutral White	5420061206091	€ 139
JP024FDL012060	12VDC Cool White	5420061206084	€ 139
JP027FDL01203C	12VDC RGB	5420061206077	€ 139

\*BRUTO WITHOUT VAT/PIECE

\* One reel powered on one side

## FLEXIBLE LED STRIP NON WATERPROOF 60 LED 5050/M 12W/M

Property	Value
Power	55W/5m *
Power maw	72W/5m *
Voltage	12V / 24VDC
LED Type	5050
Angle	120°
Dimensions	5000x12x3mm
Light Output	4400lm/5m *
Protection	IP20
double side tape	yes


**Detail**
**Light Effects :**

**References :**

REF	Model	GTIN / EAN	PRICES*
JP055EDL912030	12VDC Warm White	5420061206596	€ 149
JP055EDL912045	12VDC Neutral White	5420061206565	€ 149
JP055EDL912060	12VDC Cool White	5420061206572	€ 149
JP055EDL91203C	12VDC RGB	5420061206589	€ 149
JP055EDN912030	24VDC Warm White	5420061210388	€ 149
JP055EDN912045	24VDC Neutral White	5420061212825	€ 149
JP055EDN912060	24VDC Cool White	5420061213167	€ 149
JP055EDN91203C	24VDC RGB	5420061206589	€ 149
JP055EDN9120CR	24VDC Cherry Red	5420061219633	€ 209
JP055EDN9120RB	24VDC Royal Blue	5420061219695	€ 209
JP055EDN9120VI	24VDC Violet	5420061222008	€ 299

\*BRUTO WITHOUT VAT/PIECE
\* One reel powered on one side

## FLEXIBLE LED STRIP WATERPROOF 60 LED 5050/M 12W/M

Property	Value
Power 24V	55W/5m *
Power max	72W/5m
Voltage	12V / 24VDC
LED Type	5050
Angle	120°
Dimensions	5000x15x5mm
Light Output	4400lm/5m *
Protection	IP68
double side tape	yes


**Detail**

**Light Effects :**


### References :

REF	Model	GTIN / EAN	PRICES*
JP055FDN012030	24VDC Warm White	5420061212863	€ 199
JP055FDN012045	24VDC Neutral White	5420061213174	€ 199
JP055FDN012060	24VDC Cool White	5420061213181	€ 199
JP055FDN01203C	24VDC RGB	5420061212849	€ 199

\* One reel powered on one side

\*BRUTO WITHOUT VAT/PIECE

## FLEXIBLE LED STRIP NON WATERPROOF 48 LED 5050/M 12W/M

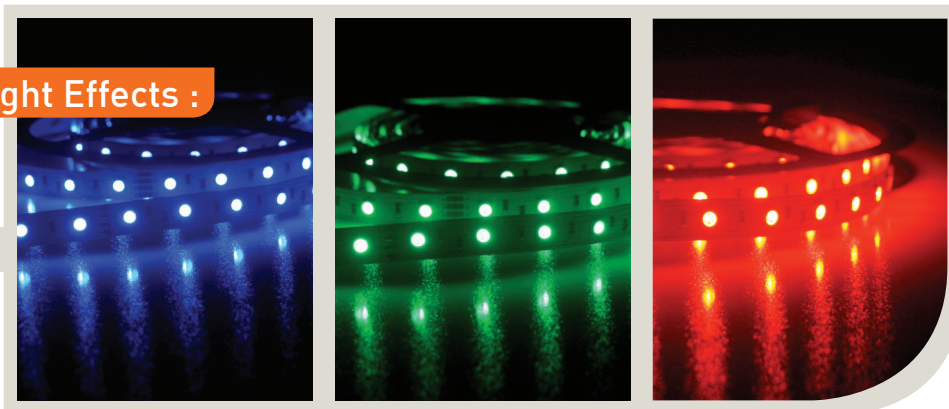
Property	Value
Power	60W
Voltage	24 VDC
LED Type	5050
Angle	120°
Dimensions	5000 x10x3mm
Protection	IP20
double side tape	yes



Detail



Light Effects :



### References :

REF	Model	GTIN / EAN	PRICES*
IP060EDN91203C	48 LED/m	5420061207456	€ 149

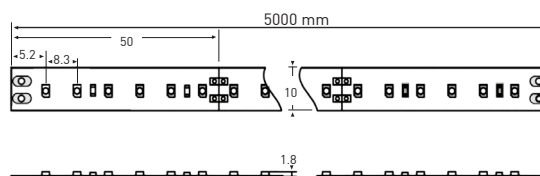
\*BRUTO WITHOUT VAT/PIECE

## FLEXIBLE LED STRIP NON WATERPROOF 120 LED 3020/M 19W/M

Property	Value
Power	96W
Voltage	24 VDC
LED Type	3020
Angle	120°
Dimensions	5000x10x1,8mm
Light Output	5000 lm
Protection	IP20
double side tape	yes



Detail



Light Effects :



### References :

REF	Model	GTIN / EAN	PRICES*
IP096EDN912030	24VDC Warm White	5420061213457	€ 209
IP096EDN912063	24VDC Cool White	5420061213464	€ 209
IP096EDL912030	12VDC Warm White	5420061200501	€ 209
IP096EDL912063	12VDC Cool White	5420061200495	€ 209

\*BRUTO WITHOUT VAT/PIECE

## FLEXIBLE LEDSTRIP NON WATERPROOF 120 LED 3014/M 14,4W/M

Property	Value
Power	72W/5m
Voltage	24 VDC
LED Type	3014
Angle	120°
Dimensions	5000x10x3mm
Light Output	5250 lm
CRI (Ra)	90
Protection	IP20
double side tape	yes

### Light Effects :



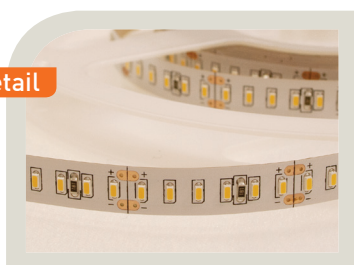
### References :

REF	Model	GTIN / EAN	PRICES*
UP072EDN912027	24VDC Warm White, 5m	5420061222329	€ 149
UP072EDN912045	24VDC Neutral White, 5m	5420061222336	€ 149
UP072EDN912060	24VDC Cool White, 5m	5420061222343	€ 149

\*BRUTO WITHOUT VAT/PIECE

## FLEXIBLE LEDSTRIP NON WATERPROOF 180 LED 3014/M 22W/M

Property	Value
Power	54W/2,5m - 108/5m
Voltage	24 VDC
LED Type	3014
Angle	120°
Dimensions	2500/5000x10x3mm
Light Output	3875 lm / 7750 lm
CRI (Ra)	90
Protection	IP20
double side tape	yes

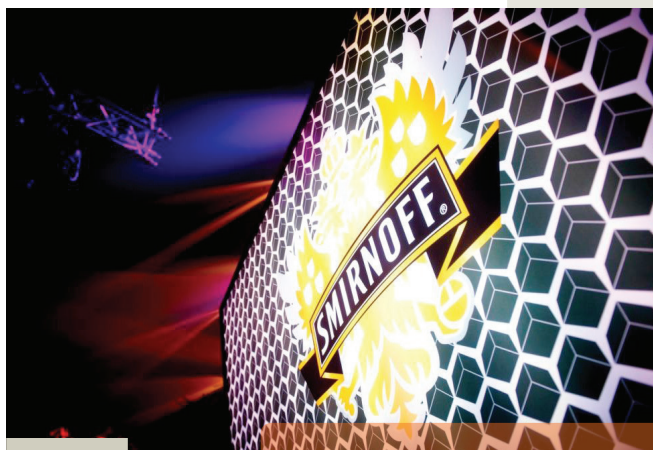

**Detail**

**Light Effects :**


### References :

REF	Model	GTIN / EAN	PRICES*
UP054EDN912027	24VDC Warm White, 2,5m	5420061221308	€ 99
UP108EDN912027	24VDC Warm White, 5m	5420061222312	€ 194
UP108EDN912045	24VDC Neutral White, 5m	5420061222350	€ 194
UP108EDN912060	24VDC Cool White, 5m	5420061222367	€ 194

\*BRUTO WITHOUT VAT/PIECE





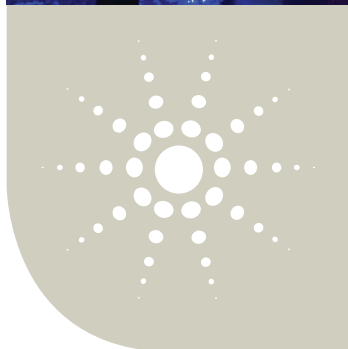
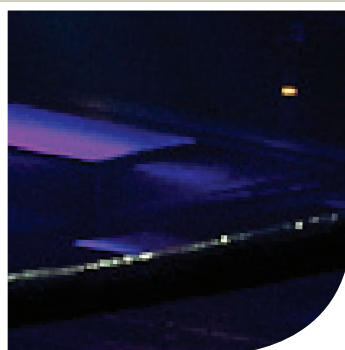
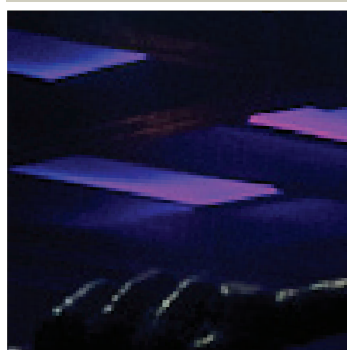
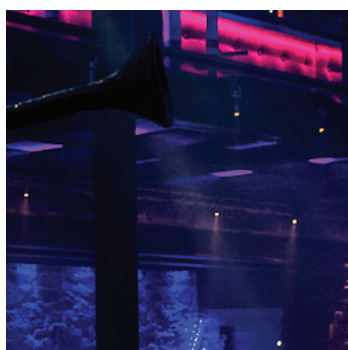




Controlers



# Controllers



## COLOR WHEEL LED REMOTE CONTROL & RECEIVER

With 3x5A RGB LED Controller

### Remote

Property	Value
Power	0.15W
Voltage	5VDC (USB charge)
Current	30mA
Control	18 buttons
Range	30m on 2.4 GHz
Standby Time	1 year
Use Time	30 days
Charge Time	4 hours
Charge Cycles	500
Dimensions	145x55x22mm
Casing Color	White
Weight	200g



### Receiver

Property	Value
Power	180 / 360W
Voltage	12/ 24V
Current	3x5A
Control	8 buttons
Resolution	65536 levels / color
Dimensions	211x40x30mm
Weight	180g

### MAIN FEATURES :

- > Touch sensitive intuitive remote control
- > 16 bits per channel color resolution
- > USB charging port for the remote
- > Switch, Pause, Play, Dimming functions
- > 30m range
- > Sleek design
- > Reliable

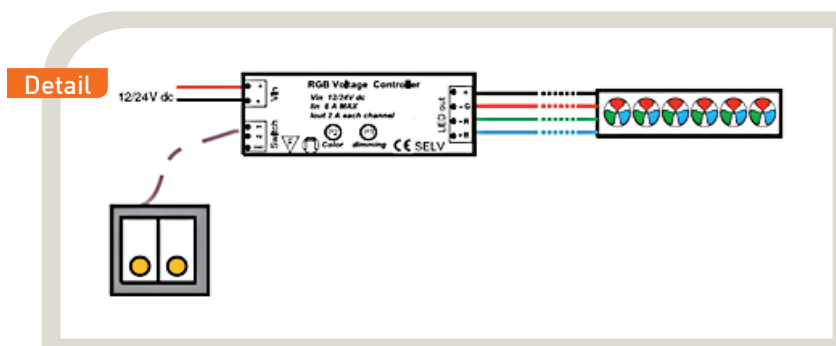
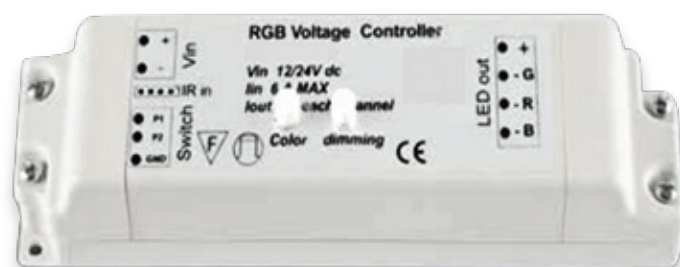
### References :

REF	GTIN / EAN	PRICES*
J_RGBREMCTRLRW	5420061209511	€ 179

\*BRUTO WITHOUT VAT/PIECE

# PUSH BUTTON RGB CONTROLER

Property	Value
Rated voltage	12-24V DC
Rated current	2 A
Max power	75 - 150 W
Working temperature	1,5 °C
Input cable section	1,5 mm <sup>2</sup>
Dimension	151x40x30 mm
Weight	95 g
Packaging	10 pcs



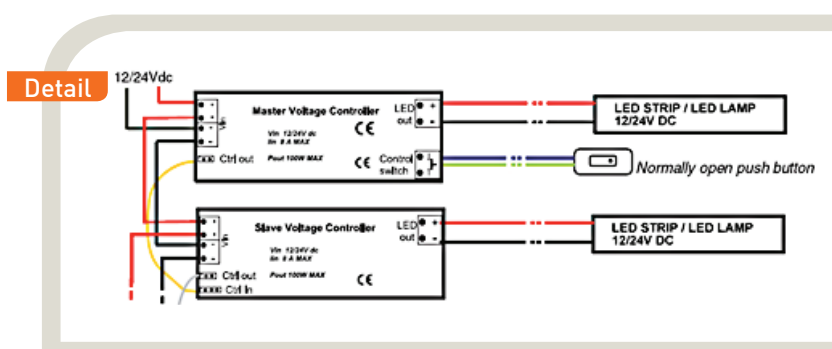
## References :

REF	Model	PRICES*
I031355	Push button RGB controler	€ 25

\*BRUTO WITHOUT VAT/PIECE

## DIMMABLE LED POWER SUPPLIES

Property	Value
Rated voltage	12-24V DC
Rated current	8,5 A
Max power	100 - 200 W
Working temperature	0-40 °C
Working temperature (Tc point)	80 °C
Input cable section	1,5 mm <sup>2</sup>
Dimension	112x41x20 mm
Weight	62 g
Packaging	10 pcs



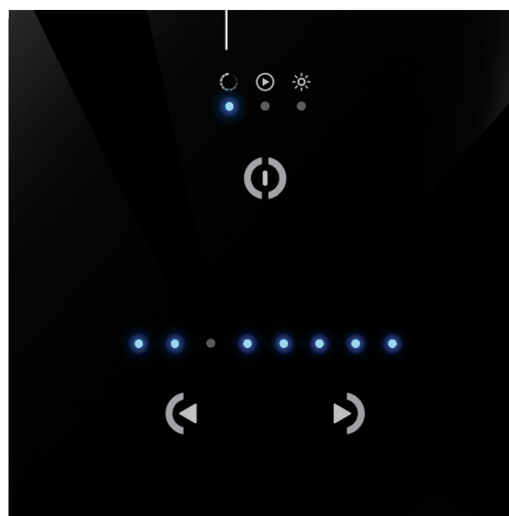
### References :

REF	Model	PRICES*
I032503	Aled-dim Monop-V master	€ 29
I032504	Aled-dim Monop-V slave	€ 29

\*BRUTO WITHOUT VAT/PIECE

## DMX CONTROLLER SUNLITE STICK 2

Property	Value
Design	Glass
Dimensions	86 x 86 x 11 mm
Weight	130 g
DMX channels	128
ESA software	PC
ESA2 software	PC / Mac
Number of scenes	24
Number of zones	1
Memory capacity (steps) with 20 chan.	840
Memory capacity (steps) with 60 chan.	310
Power voltage	5V-12V DC
Power connector	Screw terminal block
Live control	Color/Dimmer
Touch-sensitive buttons	3
Port triggering	1



### References :

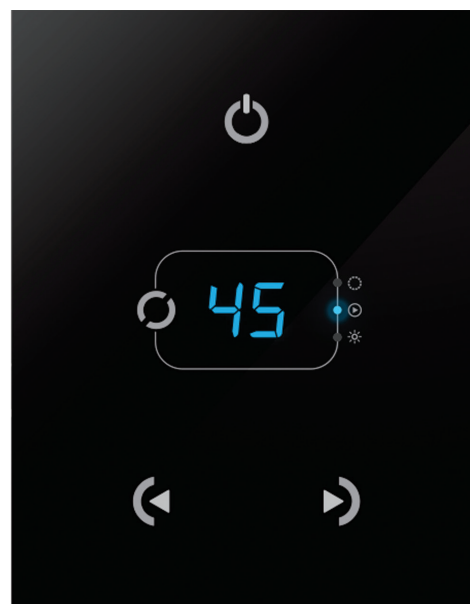
REF	Model	PRICES*
FDMXCTSTICKGU2	Sunlite Stick GU2	€ 373,75

\*BRUTO WITHOUT VAT/PIECE



## DMX CONTROLLER SUNLITE STICK-GA2

Property	Value
Design	Glass
Dimensions	86 x 86 x 11 mm
Weight	160 g
DMX channels	512
ESA software	PC
ESA2 software	PC / Mac
Number of scenes	99
Number of zones	1
Memory capacity (steps) with 20 chan.	3200
Memory capacity (steps) with 60 chan.	1200
Power voltage	5V-12V DC
Power connector	Screw terminal or RJ45
Live control	Color/Dimmer
Touch-sensitive buttons	4
Port triggering	8



### References :

REF	Model	PRICES*
FDMXCTSTICKGA2	Sunlite Stick GA2	€ 498,75

\*BRUTO WITHOUT VAT/PIECE

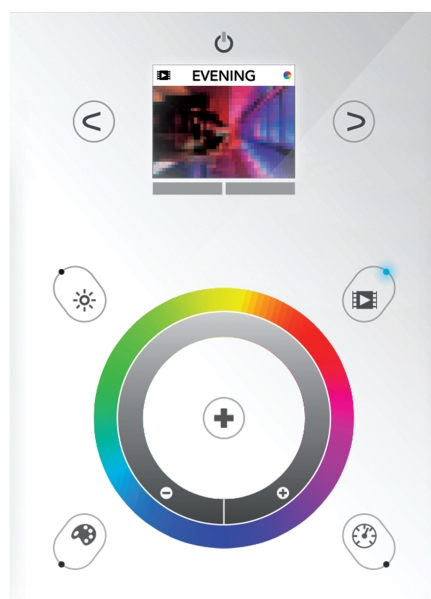
## DMX CONTROLLER SUNLITE DE3

### Property

**Design**  
**Dimensions**  
**Weight**  
**DMX channels**  
**ESA software**  
**ESA2 software**  
**Number of scenes**  
**Number of zones**  
**Memory capacity (steps) with 20 chan.**  
**Memory capacity (steps) with 60 chan.**  
**Power voltage**  
**Power connector**  
**Live control**  
**Touch-sensitive buttons**  
**Port triggering**

### Value

Glass  
 106 x 146 x 11 mm  
 250 g  
 2x512  
 PC  
 PC / Mac  
 500  
 10  
 SD card limit  
 SD card limit  
 5V-6V DC  
 Screw terminal or RJ45  
 Color/Dimmer/speed  
 20  
 8



### References :

REF	Model	PRICES*
FDMXCTSTICKDE3	Sunlite Stick DE3	€ 961,25

\*BRUTO WITHOUT VAT/PIECE

## DMX CONTROLLER SUNLITE KE1

### Property

**Design**  
**Dimensions**  
**Weight**  
**DMX channels**  
**ESA software**  
**ESA2 software**  
**Number of scenes**  
**Number of zones**  
**Memory capacity (steps) with 20 chan.**  
**Memory capacity (steps) with 60 chan.**  
**Power voltage**  
**Power connector**  
**Live control**  
**Touch-sensitive buttons**  
**Port triggering**

### Value

Plastic  
 130 x 170 x 11 mm  
 200 g  
 2x512  
 PC  
 PC / Mac  
 200  
 5  
 SD card limit  
 SD card limit  
 5V-6V DC  
 Screw terminal block  
 Color/Dimmer/speed  
 22  
 8



### References :

REF	Model	PRICES*
FDMXCTSTICKKE1	Sunlite Stick KE1	€ 811,25

\*BRUTO WITHOUT VAT/PIECE

## DMX 512 INTERFACE

### Property

Color  
casing  
Sockets  
Output current  
  
Rated voltage

### Value

Black metal  
166 x 67 x 41 mm  
XLR & RJ 45  
3 x 4A 12 - 24V  
3X350mA  
3X700mA  
12-24V DC



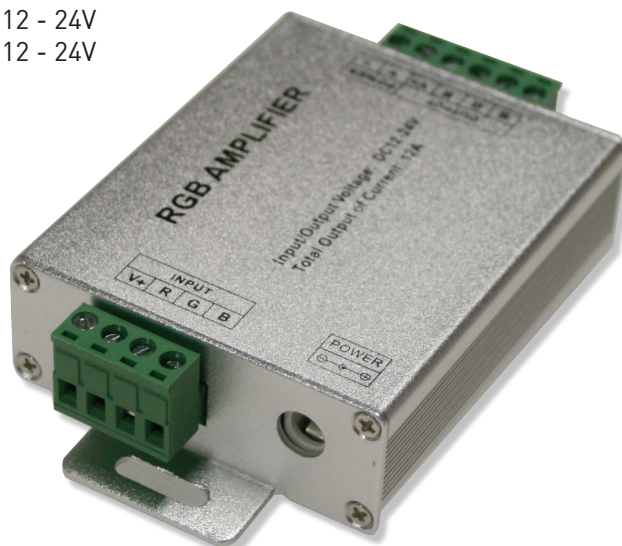
### References :

REF	Model	GTIN / EAN	PRICES*
Y_RGBDMXINTXLN	Interface DMX 3x4A, 12 - 24 V	5420061201928	€ 59
Y_RGBDMXINTXCC	Interface DMX 12 - 24 V, 3X 350mA	5420061208446	€ 69
Y_RGBDMXINTXCD	Interface DMX 12 - 24 V, 3X 700mA	5420061208453	€ 69

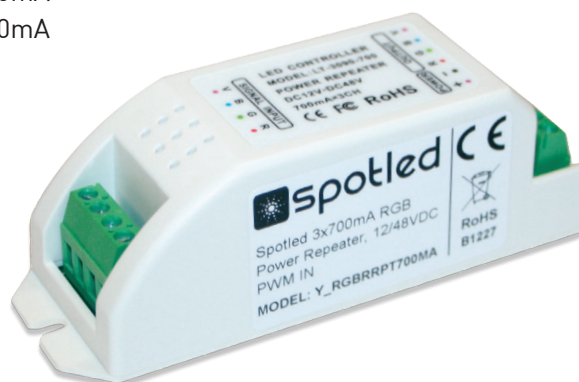
\*BRUTO WITHOUT VAT/PIECE

## RGB SIGNAL REPEATER

Property	Value
Color	Silver metal
Input	12 - 24V
Output	12 - 24V



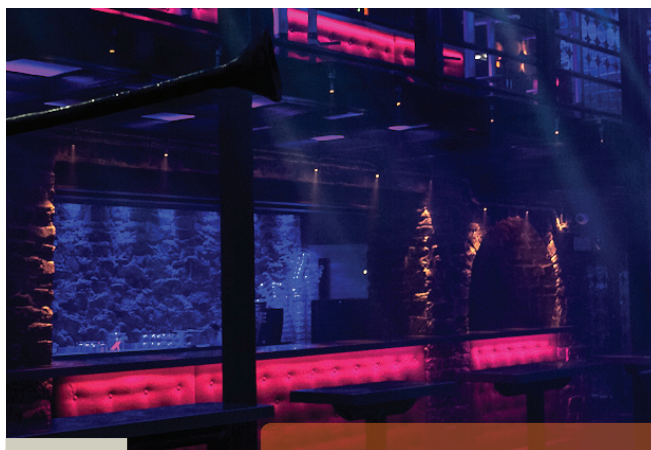
Property	Value
Color	White
Input	12 - 24V
Output	3X350mA 3X700mA



### References :

REF	Model	GTIN / EAN	PRICES*
Y_RGBRRPTLNVCV	Repeater 3x4A, 12 - 24 V	5420061208590	€ 39
Y_RGBRRPT350MA	Repeater 12 - 24 V, 3X 350mA	5420061203373	€ 59
Y_RGBRRPT700MA	Repeater 12 - 24 V, 3X 700mA	5420061203380	€ 59

\*BRUTO WITHOUT VAT/PIECE







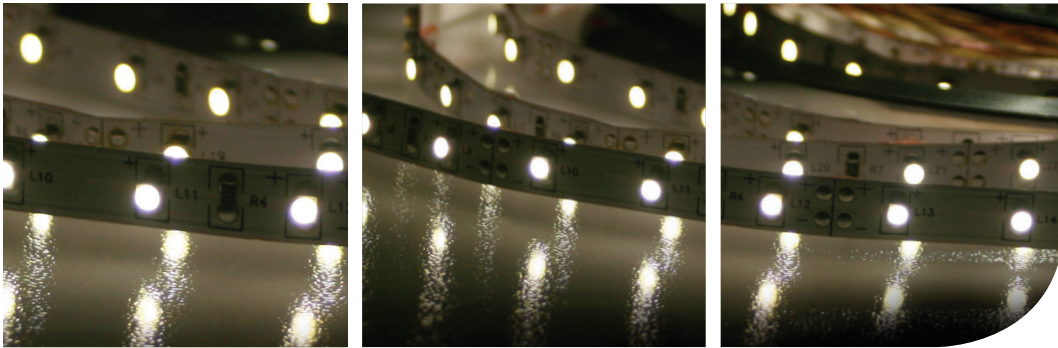
## Power Supplies





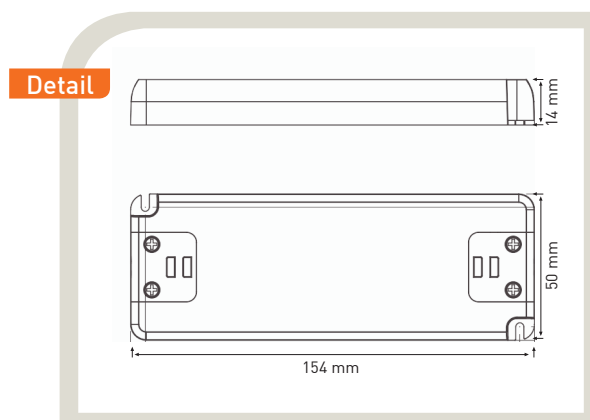


## Power Supplies



## LED POWER SUPPLIES 20W (12V & 24V)

Property	Value
Input rated voltage	220-240 Vac
Frequency	50-60 Hz
Input Rated current (with Pout max)	100 mA
Output Voltage ( $\pm 10\%$ )	12 - 24 mV
Output rated current	1,67 - 0,84 Vdc
Max ambient temperature (Ta)	45 °C
Working temperature (Tc point)	80 °C
Power factor according to EN61000-3-2	→ 0,5 $\lambda$
Thermal protection	yes
Overload protection	yes
Short circuit protection	Automatic restart
IP protection level	20
Input cable section	0,75 mm <sup>2</sup>
Output cable section	0,75 mm <sup>2</sup>
Dimensions	154x50x14 mm
Weight	110g
Packaging	10 pcs



### References :

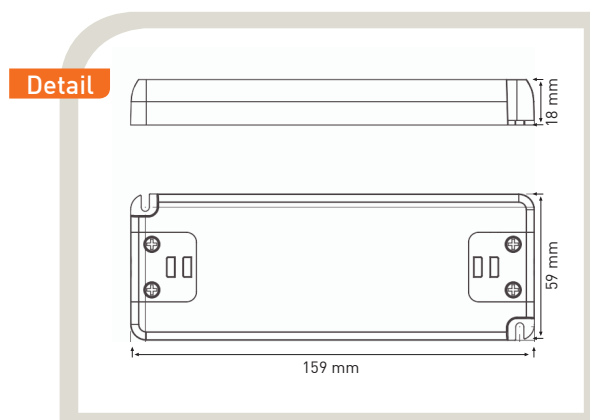
REF	Model	PRICES*
I401295	12V	€ 15,76
I401296	24V	€ 15,76

\*BRUTO WITHOUT VAT/PIECE

All Arditi models are available upon request, please send us a request for quotation.

## LED POWER SUPPLIES 30W (12V & 24V)

Property	Value
Input rated voltage	220-240 Vac
Frequency	50-60 Hz
Input Rated current (with Pout max)	150 mA
Output Voltage ( $\pm 10\%$ )	12 - 24 mV
Output rated current	2,5 - 1,25 Vdc
Max ambient temperature (Ta)	45 °C
Working temperature (Tc point)	80 °C
Power factor according to EN61000-3-2	→ 0,9 $\lambda$
Thermal protection	yes
Overload protection	yes
Short circuit protection	Automatic restart
IP protection level	20
Input cable section	0,75 mm <sup>2</sup>
Output cable section	0,75 mm <sup>2</sup>
Dimensions	159x59x18 mm
Weight	157g
Packaging	10 pcs



### References :

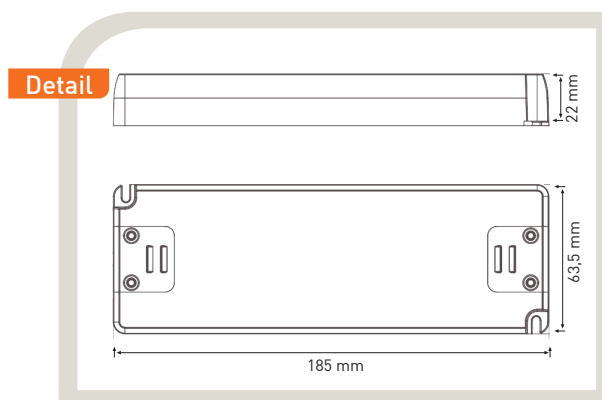
REF	Model	PRICES*
I401292	12V	€ 26,24
I401286	24 V	€ 26,24

\*BRUTO WITHOUT VAT/PIECE

All Arditi models are available upon request, please send us a request for quotation.

## LED POWER SUPPLIES 50W (12V & 24V)

Property	Value
Input rated voltage	220-240 Vac
Frequency	50-60 Hz
Input Rated current (with Pout max)	250 mA
Output Voltage ( $\pm 10\%$ )	12 - 24 mV
Output rated current	4,17 - 2,08 Vdc
Max ambient temperature (Ta)	45 °C
Working temperature (Tc point)	80 °C
Power factor according to EN61000-3-2	→ 0,9 $\lambda$
Thermal protection	yes
Overload protection	yes
Short circuit protection	Automatic restart
IP protection level	20
Input cable section	0,75 mm <sup>2</sup>
Output cable section	0,75 mm <sup>2</sup>
Dimensions	185x64x22 mm
Weight	245g
Packaging	10 pcs



### References :

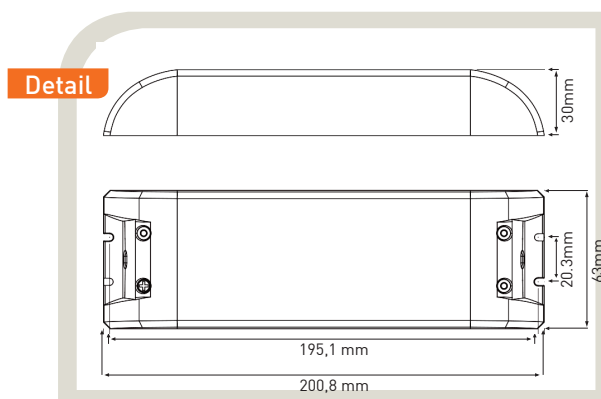
REF	Model	PRICES*
I401297	12V	€ 37,55
I401298	24 V	€ 37,55

\*BRUTO WITHOUT VAT/PIECE

All Arditi models are available upon request, please send us a request for quotation.

## LED POWER SUPPLIES 75W (24V)

Property	Value
Input rated voltage	220-240 Vac
Frequency	50-60 Hz
Input Rated current (with Pout max)	375 mA
Output rated current	6,25 - 3,12 mA
Output Voltage (± 10 %)	12-24 Vdc
Max ambient temperature (Ta)	45°C
Working temperature (Tc point)	80 °C
Power factor according to EN61000-3-2	→0,9 λ
Thermal protection	yes
Overload protection	yes
Short circuit protection	Automatic restart
IP protection level	20
Input cable section	0,75 mm <sup>2</sup>
Output cable section	0,75 mm <sup>2</sup>
Dimensions	200x63x30 mm
Weight	312g
Packaging	10 pcs



### References :

REF	Model	PRICES*
I401289	24 V	€ 49,63
I401290	12V	€ 49,63

\*BRUTO WITHOUT VAT/PIECE

All Arditi models are available upon request, please send us a request for quotation.



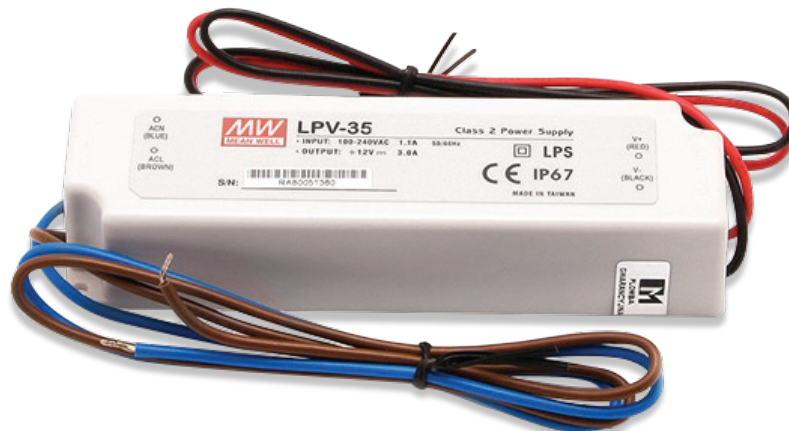
## Power Supplies



## OUTDOOR SERIES CONSTANT VOLTAGE WITHOUT PFC

### Features

- 90 - 132 VAC input only
- Fully encapsulated with IP67 level (Note.5)
- Protections : Short circuit / Over load/Over vc
- Cooling by free air convection
- Class II power unit, no FG
- Pass LPS
- 100% full load burn-in test
- Suitable for LED lighting and moving sign applications
- High reliability / Low cost
- 2 years warranty



References	Model	PRICES*
6MWLPH_0180012	Mean well fully enclosed switching power supply IP67 180-264V ACIN, 12 VDC, 18W	€ 13,60
6MWLPH_0180024	Mean well fully enclosed switching power supply IP67 180-264V ACIN, 24VDC, 18W	€ 13,60
6MWLPV_0200012	Mean well fully encl. switching power supply IP67, UL1310 Class 2, Full ACIN, 12VDC 20W	€ 20,00
6MWLPV_0200024	Mean well fully encl. switching power supply IP67, UL1310 Class 2, Full ACIN, 24VDC 20W	€ 20,00
6MWLPV_0350012	Mean well fully encl. switching power supply IP67, UL1310 Class 2, Full ACIN, 12VDC 36W	€ 29,60
6MWLPV_0350024	Mean well fully encl. switching power supply IP67, UL1310 Class 2, Full ACIN, 24VDC 36W	€ 29,60
6MWLPV_0600012	Mean well fully encl. switching power supply IP67, UL1310 Class 2, Full ACIN, 12 VDC 60W	€ 34,80
6MWLPV_0600024	Mean well fully encl. switching power supply IP67, UL1310 Class 2, Full ACIN, 24 VDC 60W	€ 34,80
6MWLPV_1000012	Mean well fully encl. switching power supply IP67, UL1310 Class 2, Full ACIN, 12 VDC 100W	€ 57,10
6MWLPV_1000024	Mean well fully encl. switching power supply IP67, UL1310 Class 2, Full ACIN, 24 VDC 100W	€ 57,10

\*BRUTO WITHOUT VAT/PIECE

\*OTHER OUTPUT VOLTAGE AVAILABLE UPON REQUEST

All Mean well models are available upon request, please send us a request for quotation.

## OUTDOOR SERIES CONSTANT VOLTAGE WITH PFC

### Features

- Universal AC input / Full range (up to 305 V AC)
- Built-in active PFC function
- Protections : Short circuit / Over current / Over voltage / Over temperature
- Cooling by free air convection
- OCP point adjustable through output cable or internal potentiometer
- IP67 / IP65 design for indoor or outdoor installations
- Three in one dimming function (1-10 Vdc or PWM signal or resistance)
- Suitable for LED lighting and street lighting applications
- Compliance to worldwide safety regulations for lighting
- Suitable for dry / damp / wet locations
- 5 years warranty



References	Model	PRICES*
6MWCLG_1500012	Mean well encl. switch. pow. sup. IP67, UL1310 Cl 2, Full range AC IN, active PFC, 132W, 12VDC	€ 120,00
6MWCLG_1500024	Mean well encl. switch. pow. sup. IP67, UL1310 Cl 2, Full range AC IN, active PFC, 150W, 24VDC	€ 120,00
6MWHLGB2400012	Mean well encl. switch. pow. sup. IP67, UL1310 Cl 2, Full range AC IN, active PFC, 192W, 12VDC	€ 161,70
6MWHLGB2400024	Mean well encl. switch. pow. sup. IP67, UL1310 Cl 2, Full range AC IN, active PFC, 240W, 24VDC	€ 161,70
6MWHLGB3200024	Mean well encl. switch. pow. sup. IP67, UL1310 Cl 2, Full range AC IN, active PFC, 320W, 24VDC	€ 228,30

All Mean well models are available upon request, please send us a request for quotation.

\*BRUTO WITHOUT VAT/PIECE

\*OTHER OUTPUT VOLTAGE AVAILABLE UPON REQUEST



## DIN RAIL POWER SUPPLIES 30 > 100 W

## DIN RAIL LED POWER SUPPLIES 120 > 960 W

### Features

#### 30 > 100 W

- Universal AC input / Full range
- Protections : Short circuit / Overload / Over voltage / Over temperature
- Cooling by free air convection
- Can be installed on DIN rail TS-35/7.5 or 15
- Isolation class II
- LED indicator for power on
- 100% full load burn-in test
- 3 years warranty

#### 120 > 960 W

- AC input range selectable by switch
- Protections : Short circuit / Overload / Over voltage / Over temperature
- Cooling by free air convection
- Can be installed on DIN rail TS-35/7.5 or 15
- UL 508 (industrial control equipment) approved
- LED indicator for power on
- 100% full load burn-in test
- Fixed switching frequency at 55KHz
- 3 years warranty

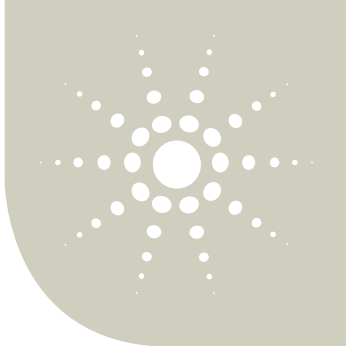
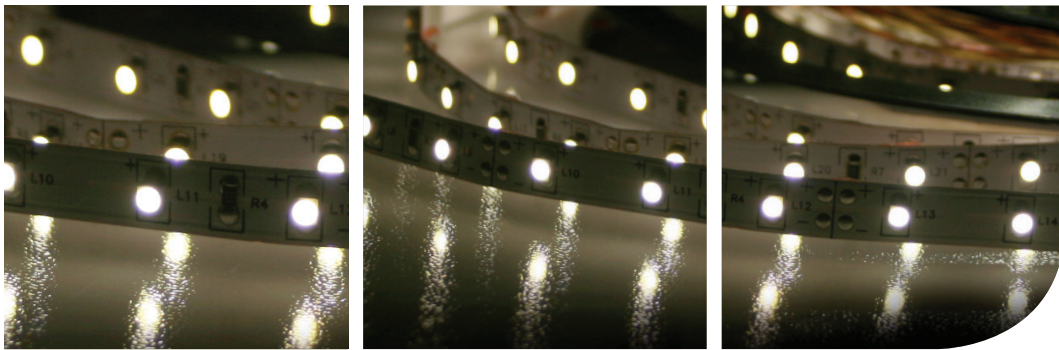


References	Model	PRICES*
6MWDR_0300024	Mean well enc.switch pow. sup., Din Rail, single adj out,Full AC/DC IN, 30W, 24VDC	€ 35
6MWDR_0600024	Mean well enc. switch pow. sup., Din Rail, single adj out,Full AC/DC IN, 60W, 24VDC	€ 49,20
6MWDR_1000024	Mean well enc. switch pow. sup., Din Rail, single adj out,Full AC/DC IN, 100W, 24VDC	€ 70,10
6MWDR_1200012	Mean well enc. switch pow. sup., Din Rail, single adj out,AC IN Selectable, 120W, 12VDC	€ 72
6MWDR_1200024	Mean well enc. switch pow. sup. Din Rail, single adj out,AC IN Selectable, 120W, 24VDC	€ 72
6MWDRP_2400024	Mean well enc. switch pow. sup., Din Rail, single adj out,Full AC/DC IN, 240W, 24VDC	€ 120
6MWDRP_4800024	Mean well enc. switch pow. sup., Din Rail, single adj out,180-264V AC IN, 480W, 24VDC	€ 240

All Mean well models are available upon request, please send us a request for quotation.

\*BRUTO WITHOUT VAT/PIECE

 **spotled**  
Power Supplies

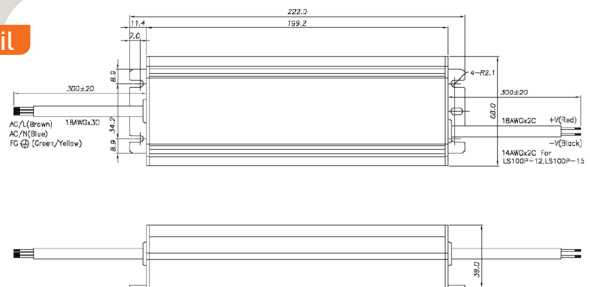


## IP67 100W SPOTLED LED DRIVER

Property	Value
Input rated voltage	90 - 305 Vac / 127 - 417 VDC
Frequency	47 - 63 Hz
Input Rated current (with Pout max)	1.4A at 115 Vac, 0,7A at 230 Vac
Output Voltage	12 V / 24 V
Output rated current	8,3 A / 4,2 A
Max ambient temperature (Ta)	-30 ~ 70 °C
Power factor according to EN61000-3-2	→ 0,98 at 115 Vac, 0,95 at 230 Vac
Thermal protection	yes
Overload protection	yes
Short circuit protection	Automatic restart
IP protection level	67
Dimensions	222x68x39 mm
Weight	940g



Detail

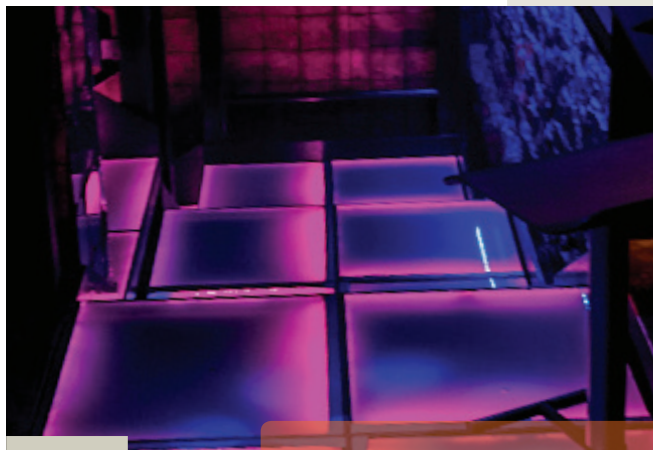


### References :

REF	Model	GTIN / EAN	PRICES*
SPDCLG01000012	Alimentation LED 100W 12VDC	5420061208705	€ 89
SPDCLG01000024	Alimentation LED 100W 24VDC	5420061208712	€ 89

\*BRUTO WITHOUT VAT/PIECE





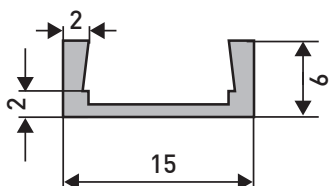
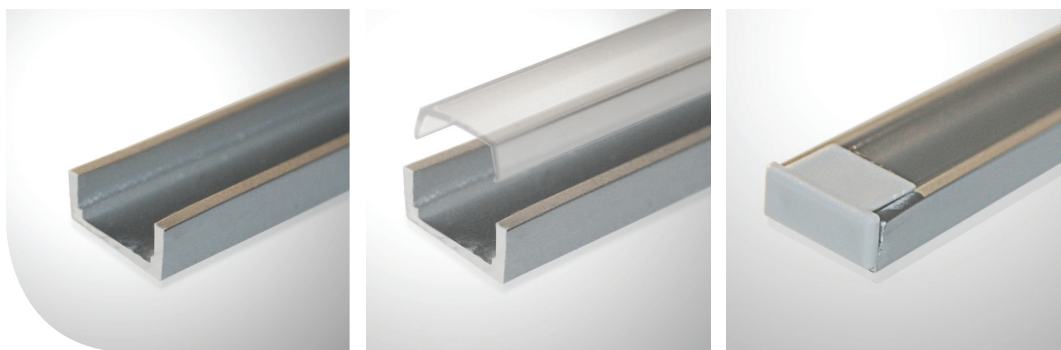




Aluminum  
Profiles



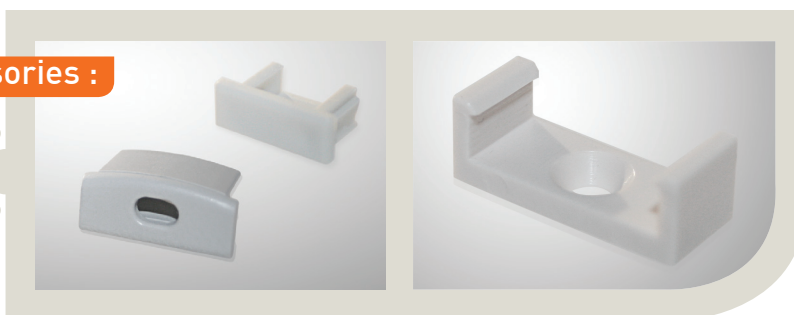
## ALUMINUM LED PROFILE 1504 (2M PROFILE, ON ORDER)



### Features :

- › Aluminum finish
- › Designed and produced in Europe
- › Convenient for all low power led strips
- › Maximum strip width 10mm

### Accessories :



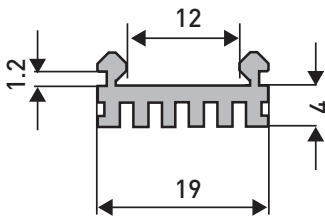
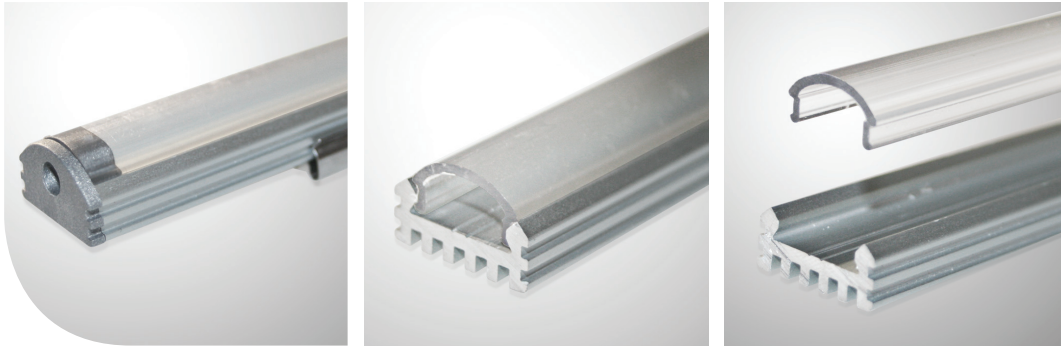
## References

REF	REF DESCRIPTION	PRICES*
ZALUPRO1504X2M	Anodized Aluminum LED profile, 15x4mmx2m	€ 22,00
ZTRACOV1504X2M	Plastic Cover, 2m, Transparent	€ 22,00
ZENDCAPCOV1504	PVC End Cap no hole	€ 5,00
ZENDCAPCOH1504	PVC End Cap with hole	€ 5,00
ZALUPROCLIP1504	Fixing clips	€ 5,00

\*BRUTO WITHOUT VAT/PIECE



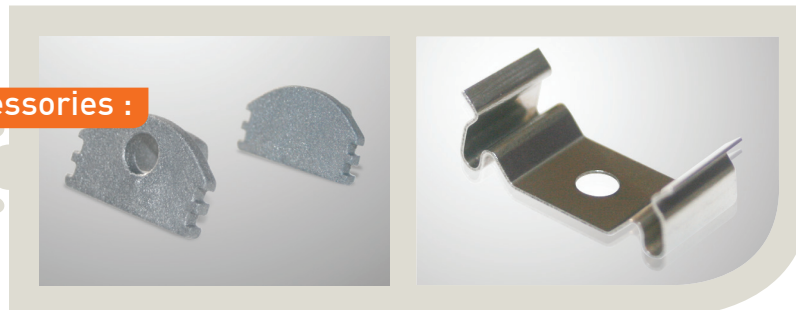
## ALUMINUM LED PROFILE 1911 (2M PROFILE)



### Features :

- › Maximum strip width: 12.2mm
- › External dimensions: 19x11mmx2m

### Accessories :

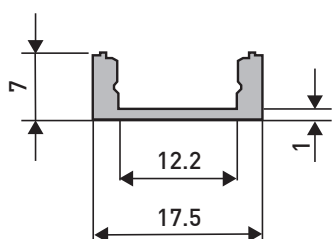
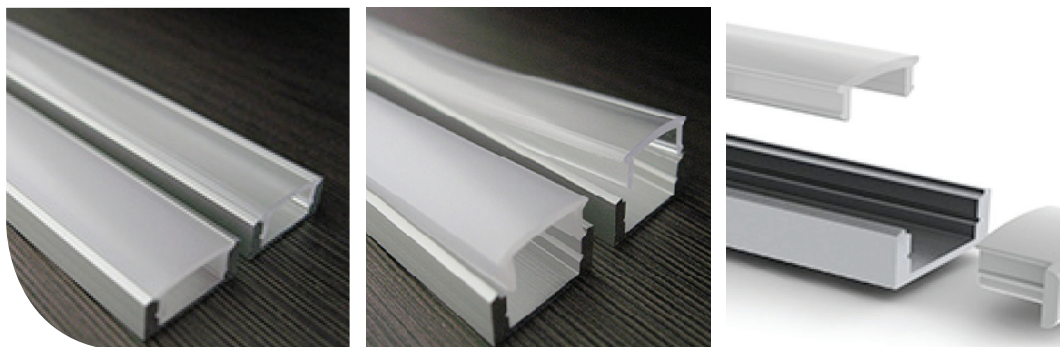


## References

REF	REF DESCRIPTION	PRICES*
IALUPRO1911X2M	Aluminum profile for high power led strip 19x11mmx2m	€ 22,00
ITRACOV1911X2M	Transparent cover (2m)	€ 9,00
IENDCAPCOH1911	End cap with hole	€ 1,50
IENDCAPCOV1911	End cap without hole	€ 1,50
IALPROCLIP1911	Fixing clips	€ 0,50

\*BRUTO WITHOUT VAT/PIECES

## ALUMINUM LED PROFILE 1707 (2M PROFILE)



### Features :

- › Anodized aluminum finish
- › UV Resistant Cover in Polycarbonate, Clip on system
- › Sleek Design
- › Designed and produced in Europe
- › Convenient for all single line indoor led strips

### Accessories :



### References :

REF	REF DESCRIPTION	PRICES*
ZALUPRO1707X2M	Anodized Aluminum LED profile, 17x7mmx2m	€ 39,90
ZTRACOV17__X2M	Plastic Cover, 2m, Transparent	€ 3,90
ZTRACOF17__X2M	Plastic Cover, 2m, Frosted	€ 3,90
ZENDCAPCOV1707	PVC End Cap with hole	€ 3,90
ZENDCAPCOH1707	PVC End Cap no hole	€ 3,90
ZALPROCLIP1707	PVC Grey Clip	€ 3,90

\*BRUTO WITHOUT VAT/PIECE

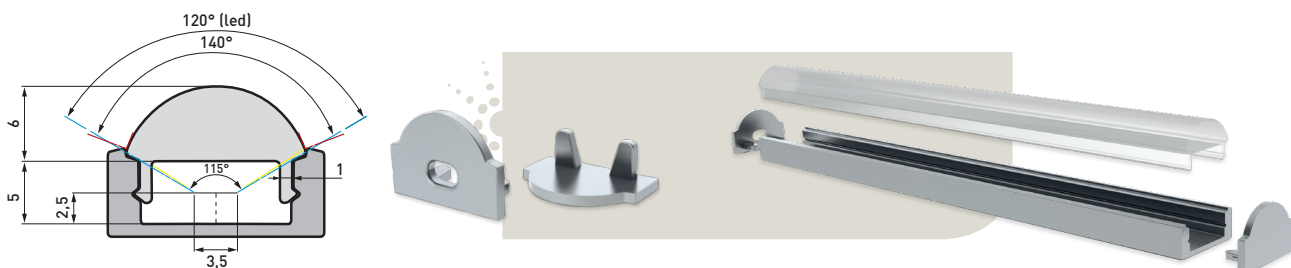
## OPTICS FOR 1707 LED PROFILE (ON ORDER)

### References :

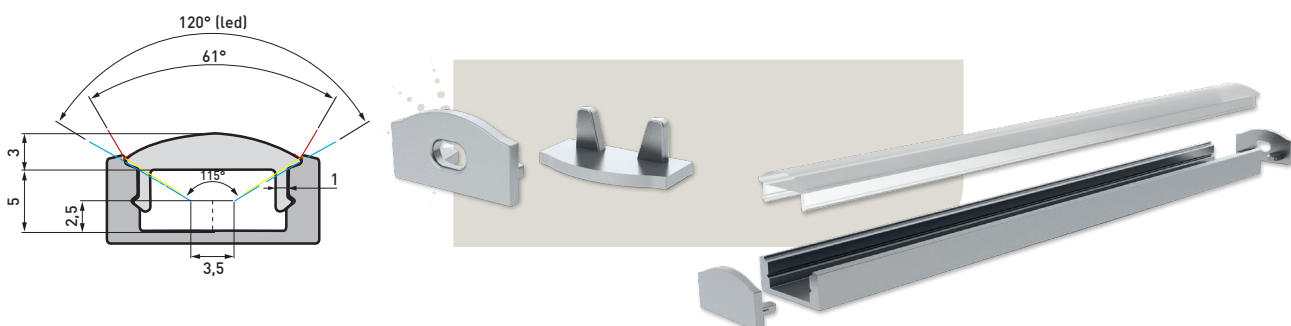
REF	REF DESCRIPTION	PRICES*
ZENDCAP30H1707	End cap with hole for 1707 profile with 30° cover	€ 3,90
ZENDCAP60H1707	End cap with hole for 1707 profile with 60° cover	€ 3,90
ZENDCAP30V1707	End cap for 1707 profile with 30° cover	€ 3,90
ZENDCAP60V1707	End cap for 1707 profile with 60° cover	€ 3,90
ZTRA30F17__X2M	Frosted cover for 1707, 1715, 2507, 2515 profile with 30° beam angle	€ 39,90
ZTRA60F17__X2M	Frosted cover for 1707, 1715, 2507, 2515 profile with 60° beam angle	€ 39,90
ZTRA30V17__X2M	Transparent cover for 1707, 1715, 2507, 2515 profile with 30° beam angle	€ 39,90
ZTRA60V17__X2M	Transparent cover for 1707, 1715, 2507, 2515 profile with 60° beam angle	€ 39,90

\*BRUTO WITHOUT VAT/PIECES

### 1707 PROFILE WITH 30° OPTIC LENS

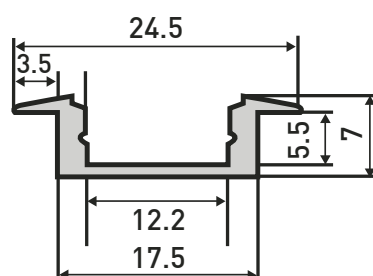


### 1707 PROFILE WITH 60° OPTIC LENS



## ALUMINUM RECESSED LED PROFILE 2507

(2M PROFILE)



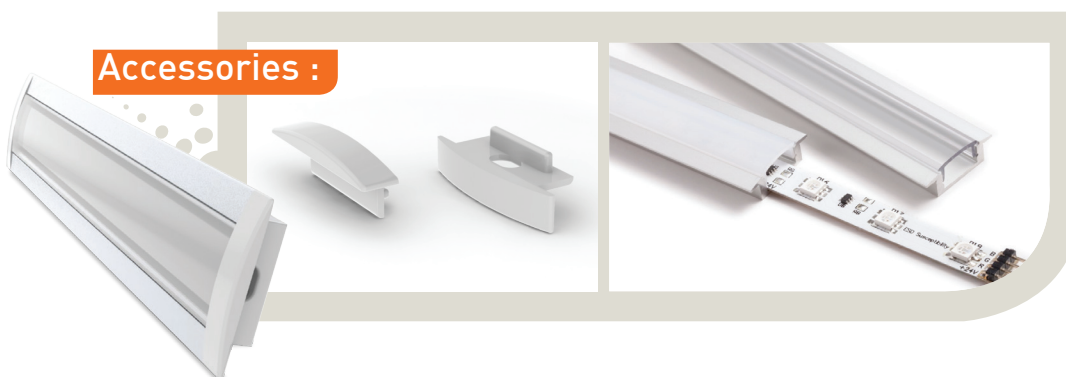
### Features :

- › Recessed type with clean design
- › Very low profile
- › Perfect for low power LED strips
- › Diffuser placed/removed from the top
- › Designed for indoor use only
- › Available with frosted or clear diffuser
- › Anodized finish

### Applications :

- › Kitchen cabinets LED lighting
- › Furniture production
- › Interior accent lighting
- › Shop shelf lighting

### Accessories :

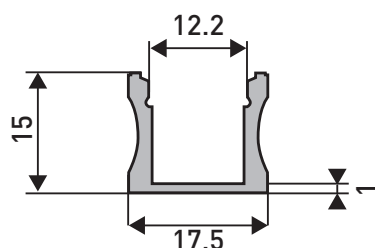


### References :

REF	REF DESCRIPTION	PRICES*
ZALUPRO2507X2M	Anodized Recessed Aluminum LED profile, 25x7mm x2m	€ 39,90
ZTRACOV17__X2M	Polycarbonate Cover, Clip on system, 2m, Transparent	€ 3,90
ZTRACOF17__X2M	Polycarbonate Cover, Clip on system, 2m, Frosted	€ 3,90
ZENDCAPCOV2507	PVC End Cap no hole	€ 3,90
ZENDCAPCOH2507	PVC End Cap with hole	€ 3,90

\*BRUTO WITHOUT VAT/PIECES

## ALUMINUM LED PROFILE 1715 (2M PROFILE)



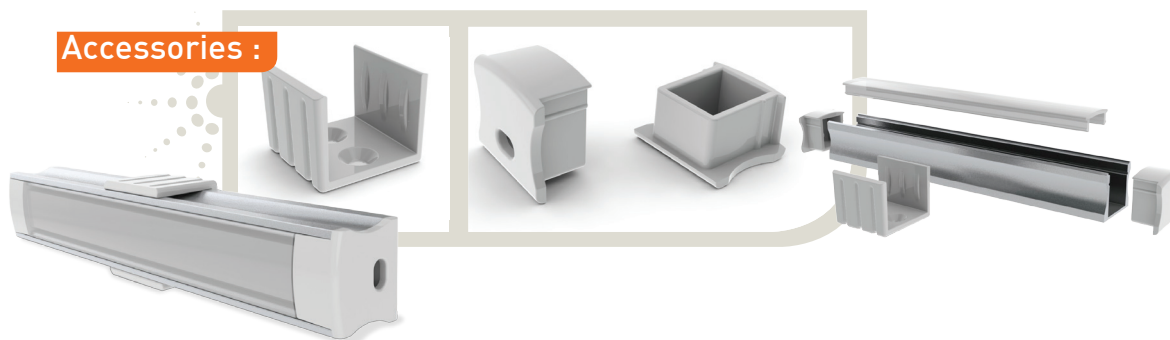
### Features :

- › High quality diffuser, placing/removing from the front
- › Led dots free profile (frosted)
- › Walk on safe diffuser, UV resistant polycarbonate diffuser
- › Available with frosted and transparent diffuser
- › Anodized Aluminum finish
- › Suitable for low/high power led bars
- › For indoor use only

### Applications :

- › Furniture production (kitchen / office)
- › Interior light design (stairs / storage / floor)
- › Stores shelf LED lighting
- › Independent LED lamp
- › Exhibition booth LED lighting

### Accessories :



REF	REF DESCRIPTION	PRICES*
ZALUPRO1715X2M	Anodized Aluminum LED profile, 17x15mm x2m	€ 39,90
ZTRACOV17__X2M	Polycarbonate Cover, Clip on system, 2m, Transparent	€ 3,90
ZTRACOF17__X2M	Polycarbonate Cover, Clip on system, 2m, Frosted	€ 3,90
ZENDCAPCOV1715	PVC End Cap no hole	€ 3,90
ZENDCAPCOH1715	PVC End Cap with hole	€ 3,90
ZALPROCLIP1715	PVC Grey Clip	€ 3,90

\*BRUTO WITHOUT VAT/PIECE

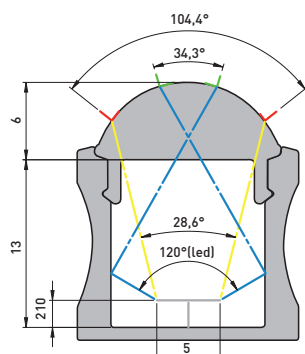
## OPTIC FOR 1715 LED PROFILE

### References :

REF	REF DESCRIPTION	PRICES*
ZENDCAP30H1715	End cap with hole for 1715 profile with 30° cover	€ 3,90
ZENDCAP60H1715	End cap with hole for 1715 profile with 60° cover	€ 3,90
ZENDCAP30V1715	End cap for 1715 profile with 30° cover	€ 3,90
ZENDCAP60V1715	End cap for 1715 profile with 60° cover	€ 3,90
ZTRA30F17__X2M	Frosted cover for 1707, 1715, 2507, 2515 profile with 30° beam angle	€ 39,90
ZTRA60F17__X2M	Frosted cover for 1707, 1715, 2507, 2515 profile with 60° beam angle	€ 39,90
ZTRA30V17__X2M	Transparent cover for 1707, 1715, 2507, 2515 profile with 30° beam angle	€ 39,90
ZTRA60V17__X2M	Transparent cover for 1707, 1715, 2507, 2515 profile with 60° beam angle	€ 39,90

\*BRUTO WITHOUT VAT/PIECES

### 1715 LED PROFILE **WITH 30° OPTIC LENS**

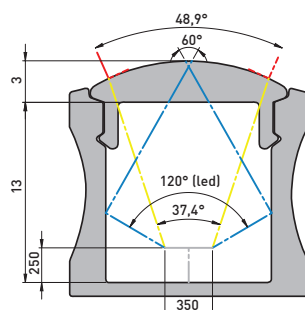


#### Features:

- › Surface mount installation LED profile with 30° optic lens, UV stabilized.
- › Choice of frosted or clear lens
- › The outgoing light is concentrated into the 30° beam angle.



### 1715 LED PROFILE **WITH 60° OPTIC LENS**

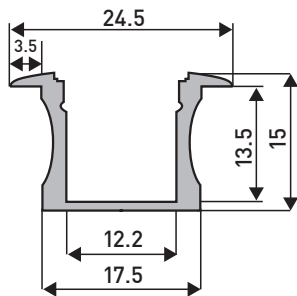


#### Features :

- › Surface mount installation LED profile with 60° optic lens, UV stabilized.
- › Choice of frosted or clear lens
- › The outgoing light is concentrated into the 60° beam angle.



## ALUMINUM LED RECESSED PROFILE 2515 (2M PROFILE)



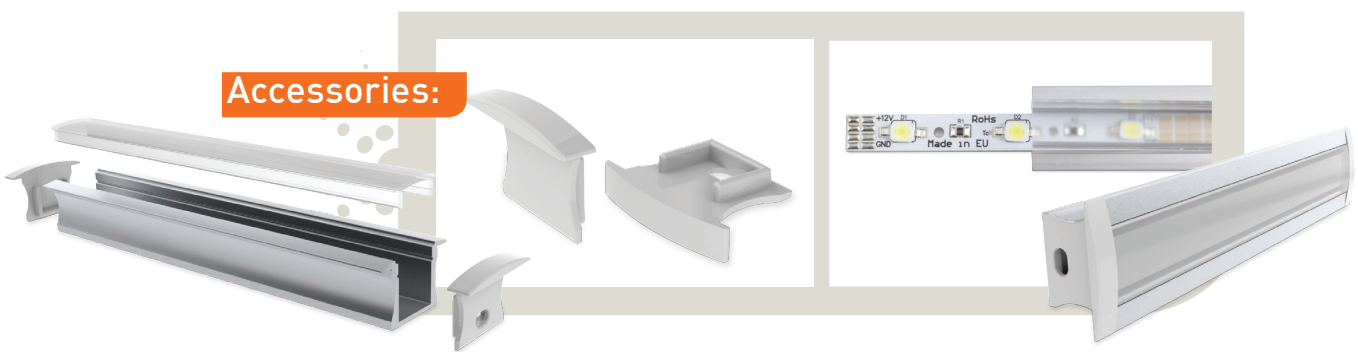
### Features :

- › Anodized Aluminum finish
- › High Quality UV resistant polycarbonate snap in diffuser
- › Choice of frosted or clear diffuser
- › Reduced light loss design
- › Small dimensions only 15mm high
- › Suitable for standard LED strips up to 12mm of wide
- › Available with dedicated finish end caps
- › Indoor use

### Applications :

- › Recessed LED lighting under kitchen cabinets
- › Storage shelves LED lighting
- › Furniture production
- › Exhibition booth LED lighting

### Accessories:

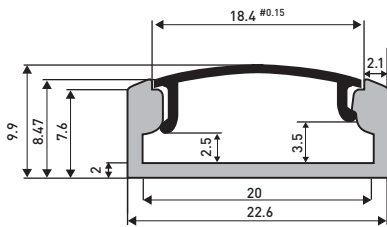


Especially designed for true line effect (no dots), to be used with 60 and 120LED/m LED Strips

### References :

REF	REF DESCRIPTION	PRICES*
ZALUPRO2515X2M	Anodized Aluminum Recessed LED profile, 25x15mm x2m	€ 39,90
ZTRACOV17__X2M	Polycarbonate Cover, Clip on system, 2m, Transparent	€ 3,90
ZTRACOF17__X2M	Polycarbonate Cover, Clip on system, 2m, Frosted	€ 3,90
ZENDCAPCOV2515	PVC End Cap no hole	€ 3,90
ZENDCAPCOH2515	PVC End Cap with hole	€ 3,90

## WIDE ALUMINUM LED PROFILE 2208 (2M)



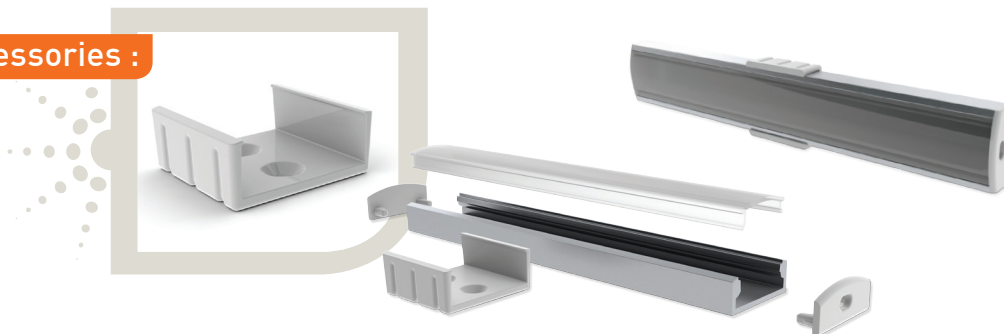
### Features :

- › Anodized Aluminum finish
- › High Quality UV resistant polycarbonate snap on diffuser
- › Two different light diff users to chose from, frosted or transparent.
- › Reduced light loss design
- › Small dimensions only 8mm high
- › Extra space inside the profile (20mm) for IP67 led ribbons, RGB or double row LED strips
- › Available with dedicated accessories such as end caps and mounting brackets
- › Indoor use

### Applications :

- › Led lamps
- › Retail store shelves LED lighting
- › Kitchen cabinets LED lighting
- › Exhibitions, hotels, restaurants LED lighting
- › Interior design

### Accessories :



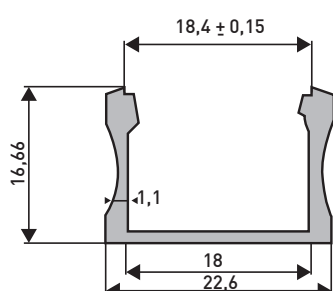
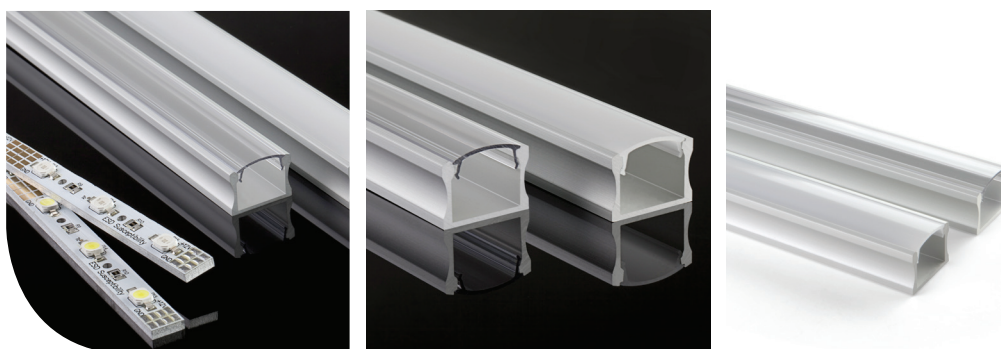
### References :

REF	REF DESCRIPTION	PRICES*
ZALUPRO2208X2M	Anodized Aluminum LED profile, 22x8mm x2m	€ 64,90
ZTRACOV22__X2M	Polycarbonate Cover, Clip on system, 2m, Transparent	€ 3,90
ZTRACOF22__X2M	Polycarbonate Cover, Clip on system, 2m, Frosted	€ 3,90
ZENDCAPCOV2208	PVC End Cap no hole	€ 3,90
ZENDCAPCOH2208	PVC End Cap with hole	€ 3,90
ZALPROCLIP2208	PVC Grey Clip	€ 3,90

\*BRUTO WITHOUT VAT/PIECES



## WIDE ALUMINUM LED PROFILE 2215 (2M)



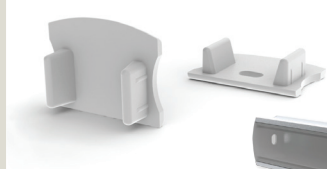
### Features:

- › Anodized Aluminum finish
- › High Quality UV resistant polycarbonate snap on diffuser
- › Two different light diffusers to choose from :  
frosted (LEDs dots free) and transparent
- › Extra space inside the profile (18mm) for IP67 led ribbons, RGB or double row LED strips
- › Suitable for high power LED strips up to 30W/m
- › Available with dedicated finish end caps and mounting bracket
- › Indoor use only, IP20

### Applications:

- › Led lamps
- › Shelf LED lighting for retail store
- › Cabinets LED lighting for kitchen
- › Interior design

### Accessories :

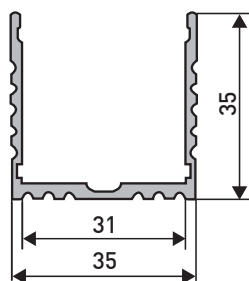


### References :

REF	REF DESCRIPTION	PRICES*
ZALUPRO2215X2M	Anodized Aluminum LED profile, 22x15mm x2m	€ 64,90
ZTRACOV22__X2M	Polycarbonate Cover, Clip on system, 2m, Transparent	€ 3,90
ZTRACOF22__X2M	Polycarbonate Cover, Clip on system, 2m, Frosted	€ 3,90
ZENDCAPCOV2215	PVC End Cap no hole	€ 3,90
ZENDCAPCOH2215	PVC End Cap with hole	€ 3,90
ZALPROCLIP2215	PVC Grey Clip	€ 3,90

\*BRUTO WITHOUT VAT/PIECES

## ALUMINUM LED PROFILE 3535 (2M PROFILE)



### Features :

- › High Quality UV resistant polycarbonate snap on diffuser
- › Two different light diffusers to choose from, frosted (LEDs dots free) and transparent.
- › Contemporary design
- › Suitable for standard or high power LED stripes up to 30W/m
- › Available on stock in anodized silver color
- › Available with dedicated accessories such as two type of end caps
- › Indoor use only, IP20

### Applications :

- › LED lamp component
- › Retail store main ceiling LED lighting
- › Suspended LED lighting lamp
- › Exhibitions, hotels, restaurants main LED lighting
- › Decorative linear LED lighting
- › Exhibition booth LED lighting



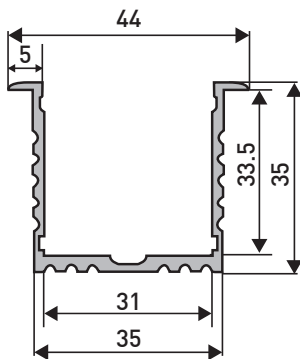
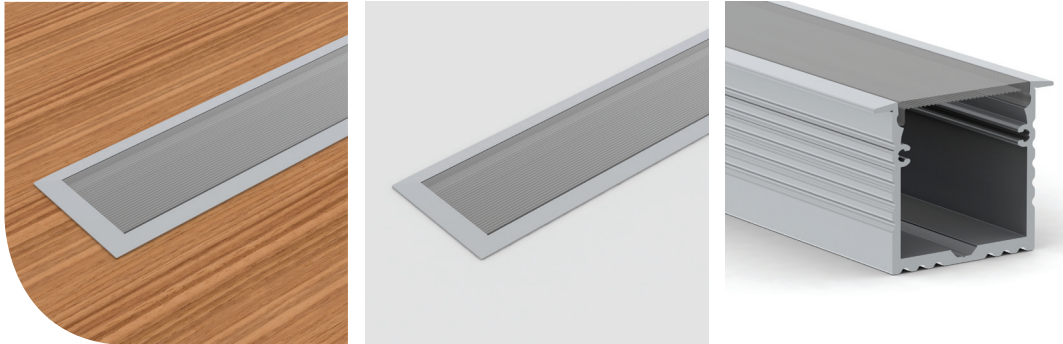
### References :

REF	REF DESCRIPTION	PRICES*
ZALUPRO3535X2M	Anodized ALuminum LED profile, 35x35mm x2m	€ 109,90
ZTRACOV35__X2M	Polycarbonate Cover, Clip on system, 2m, Transparent	€ 9,90
ZTRACOF35__X2M	Polycarbonate Cover, Clip on system, 2m, Frosted	€ 9,90
ZENDCAPCO03535	End cap with ears for profile ZALUPRO3535X_M	€ 6,90
ZENDCAPCOV3535	End cap without ears for profile ZALUPRO3535X_M	€ 6,90

\*BRUTO WITHOUT VAT/PIECES

## ALUMINUM LED PROFILE 4435

[2M RECESSED PROFILE]



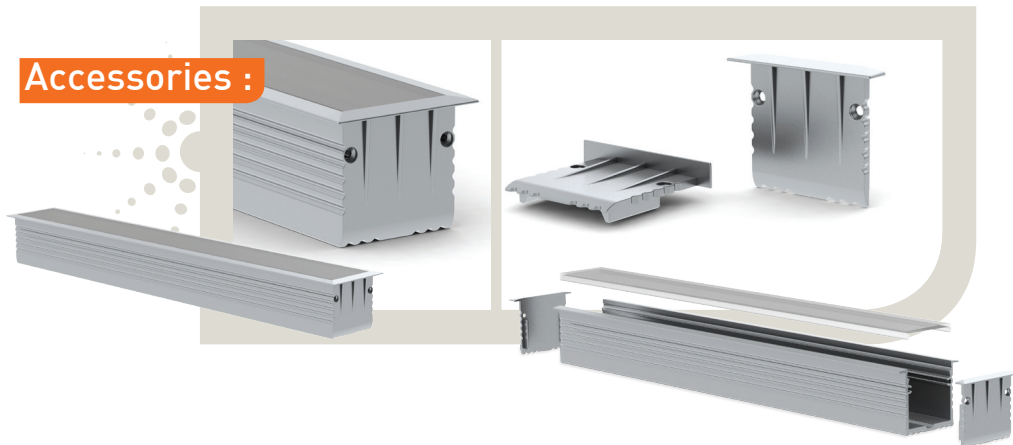
### Features :

- › High quality polycarbonate diffuser
- › No LED dots shows on the diffuser surface
- › Soft and smooth light diffusion
- › Diffuser is placed/removed from the top on click
- › High quality anodized aluminum base
- › Heavy duty "heat sink" for high power LEDs
- › Matching end caps for this profile are available
- › Gypsum ceiling installation
- › Available in length of 2m with clear or frosted diffuser

### Applications :

- › Show rooms ceiling LED lighting
- › Restaurants ceiling LED lighting
- › Shopping malls LED lighting

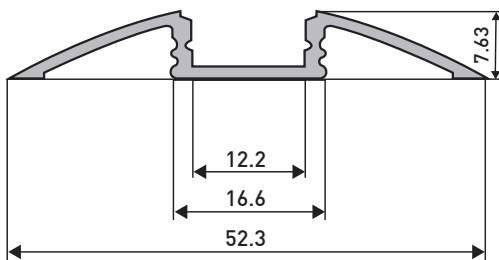
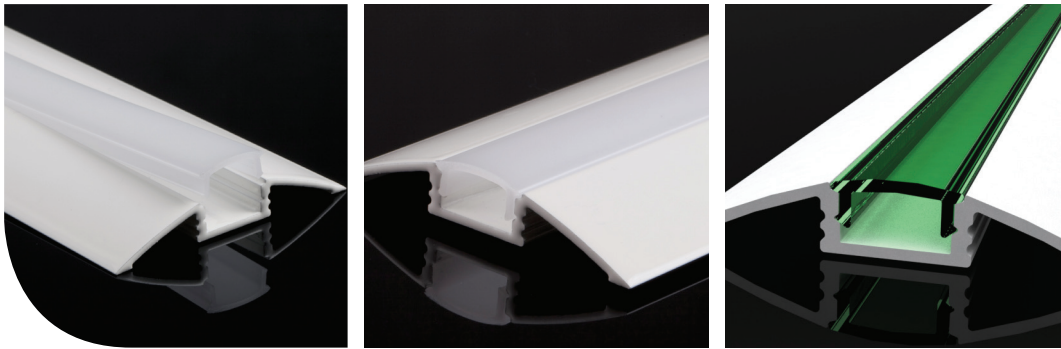
### Accessories :



### References :

REF	REF DESCRIPTION	PRICES*
ZALUPRO4435X2M	Anodized Aluminum LED profile, 44x35mmx2m	€ 109,90
ZTRACOV35__X2M	Polycarbonate Cover, Clip on system, 2m, Transparent	€ 6,90
ZTRACOF35__X2M	Polycarbonate Cover, Clip on system, 2m, Frosted	€ 6,90
ZENDCAPCOV4435	PVC End Cap no hole with edge	€ 6,90

## ALUMINUM LED PROFILE 5207 (2M PROFILE)



### Features:

- › High quality diffuser placed from the front on click
- › Polycarbonate UV resistant, damage resistant (walk over safe)
- › Diffuser available in transparent and frosted
- › Base of the profile is made in anodized aluminum
- › ALU-FLAT is suitable for low power and high power LEDs
- › Simplicity in design with high quality finish
- › Protection grade IP20

### Applications:

- › Under kitchen cabinets LED lighting
- › Stores shelves LED lighting
- › Floor LED lighting
- › Storage shelves LED lighting
- › Exhibition booth LED lighting
- › Interior LED lighting

### Accessories :



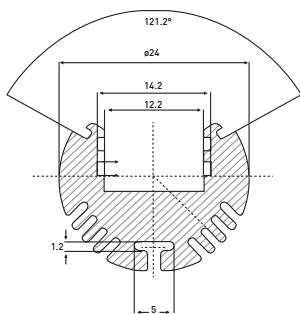
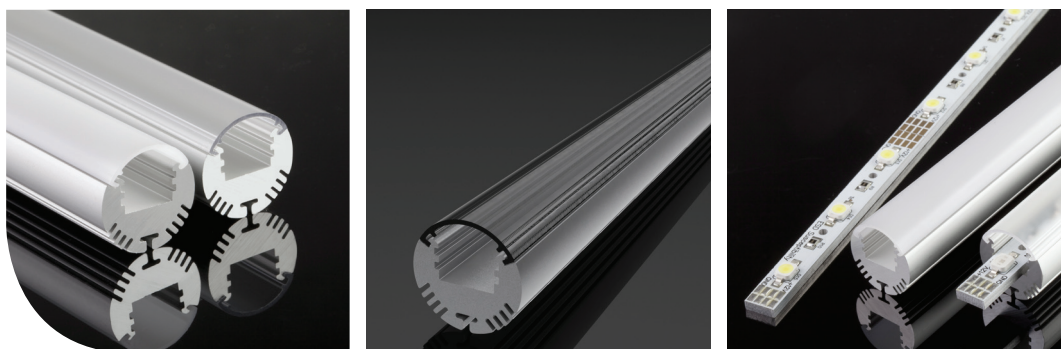
### References :

REF	REF DESCRIPTION	PRICES*
ZALUPRO5207X2M	Aluminum led profile for surface mount 5207, 2m	€ 54,90
ZTRACOV17__X2M	Transparent Polycarbonate Cover 2m	€ 3,90
ZTRACOF17__X2M	Frosted Polycarbonate Cover 2m	€ 3,90
ZENDCAPCOV5207	PVC End Cap with edge and fixing hole	€ 4,90
ZENDCAPCOH5207	PVC End Cap with edge, fixing hole and cable hole	€ 4,90

\*BRUTO WITHOUT VAT/PIECES 6.16

## ALUMINUM LED PROFILE RD24

(ROUND 2M PROFILE)



### Features :

- › High quality round shape polycarbonate diffuser
- › Diffuser is placed/removed from the top on click
- › High quality anodized aluminum base
- › Heavy duty "heat sink" for high power LEDs
- › Compatible with up to 12mm wide high power LED bars
- › Available finish end caps and mounting system with angle adjustment
- › Two different installation options (wall or suspended)
- › Available in length of 2m with clear or frosted diffuser

### Applications :

- › Bed reading lamp with angle adjustment
- › Show rooms lighting
- › Reception desk main lighting
- › Restaurants table lighting
- › Shopping boutiques exposition lighting

### Accessories :



**References :**

REF	REF DESCRIPTION	PRICES*
ZALUPRORD24X2M	Round Led 24mm diam, 2m long, no cover	€ 71,90
ZTRACOVRD24X2M	Transparent Polycarbonate Cover 2m	€ 3,90
ZTRA30VRD24X2M	Plastic Transparent Cover for LED Profile RD24 with 30° Beam Angle 2m	€ 42,90
ZENDCAPCOVRD24	End cap PVC Grey	€ 3,90
ZENDCAPCOHRD24	End cap with hole PVC Grey	€ 3,90
ZENDCAP30VRD24	End cap PVC Grey	€ 4,90
ZENDCAP30HRD24	End cap with hole PVC Grey with 30° cover	€ 4,90
ZALPROROCLRD24	Rotating Clip PVC Grey with 60° cover	€ 8,90
ZALPROWALCLRD24	Lateral Wall Clip PVC Grey	€ 8,90
ZALPROVERFRD24	Vertical Foot 62mm	€ 16,90
ZALPROSIDFRD24	Side Foot 257mm	€ 59,90
ZALPROSIDERD24	Side Foot 102mm for RD24	€ 23,90
ZTRACOVRD24X2M	Plastic Transparent Cover for LED Profile RD24 2m	€ 3,90

\*BRUTO WITHOUT VAT/PIECES

**ALU-ROUND WITH 30° OPTIC LENS**

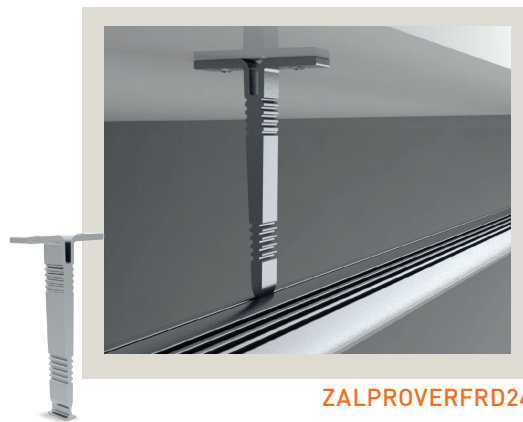

ALU-ROUND **ACCESSORIES**



Wall-Arm: ZALPROSIDERD24



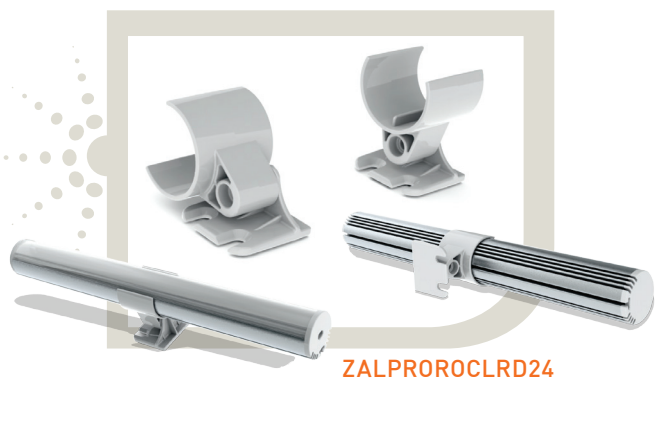
ZALPROWALCLRD24



ZALPROVERFRD24



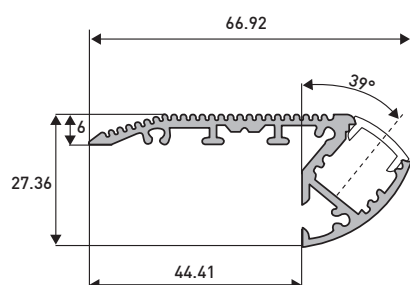
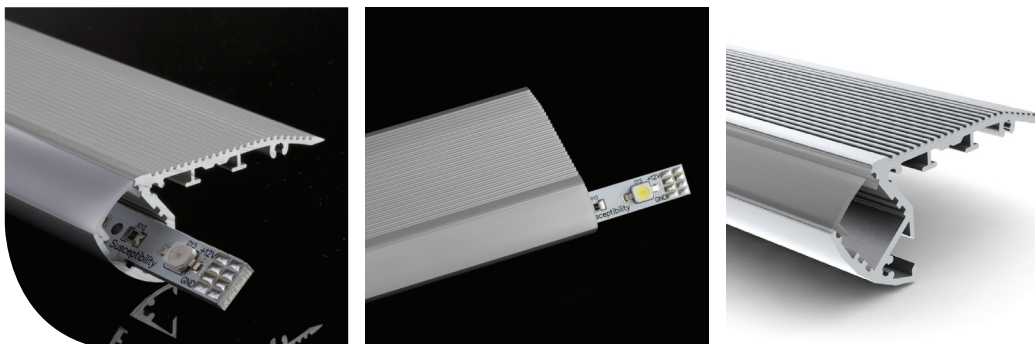
ZALPROSIDFTRD24



ZALPROROCLRD24

## ALUMINUM LED PROFILE SR66

(STAIR STEP NOSE 2M PROFILE)



### Features :

- › Hard aluminum alloy and special anodizing thickness
- › High standard of anodizing aluminum
- › High Quality UV resistant polycarbonate snap on diffuser (LEDs dots free) and transparent.
- › Stair installed LED profile with smooth line of light
- › Suitable for standard or high power LED strips up to 30W/m
- › Possible isolation of the diffuser and end cap against water with transparent silicone
- › Available on stock with dedicated end caps

### Applications:

- › Stair LED lighting illumination
- › Hotels, cinemas, restaurants, night clubs, stair LED lighting

### Accessories:



### References :

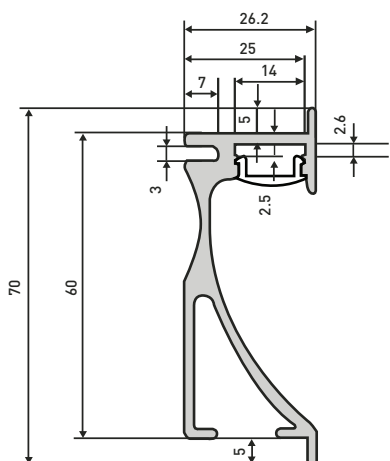
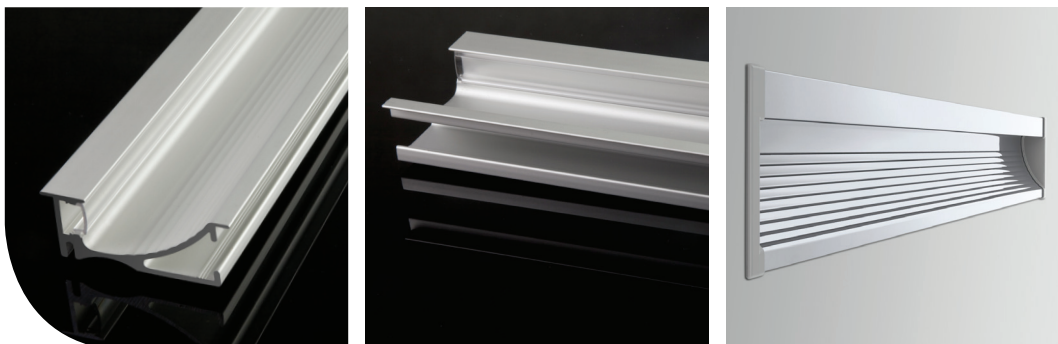
REF	REF DESCRIPTION	PRICES*
ZALUPROSR66X2M	Aluminum LED Profile for stair step nose 2m	€ 119,90
ZTRACOV17__X2M	Transparent Polycarbonate Cover 2m	€ 3,90
ZTRACOF17__X2M	Frosted Polycarbonate Cover 2m	€ 3,90
ZENDCAPCOLSR66	End cap pvc sr66 / left	€ 7,70
ZENDCAPCORSR66	End cap pvc sr66 / right	€ 7,70

\*BRUTO WITHOUT VAT/PIECES



## ALUMINUM LED PROFILE WL70

(WALL RECESSED 2M PROFILE)



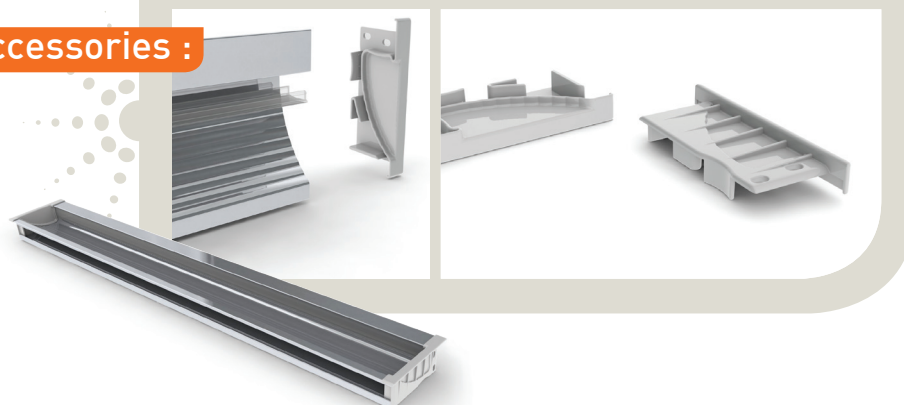
### Features:

- › Asymmetric, wall installed LED profile for floor LED lighting
- › High standard of anodizing aluminum surface
- › High Quality UV resistant polycarbonate snap on diffuser
- › Two different light diffusers to choose from : frosted or transparent.
- › Extra LED heat sink capability of the profile (up to 30W/m)
- › Available with dedicated finish end caps
- › Indoor and outdoor use (outdoor with IP67 leds)

### Applications:

- › Asymmetric, wall build-in type
- › Floor hallways LED lighting profile
- › Perfect for hotels hallways, restaurant, hospitals, underground
- › Walkways LED lighting

### Accessories :

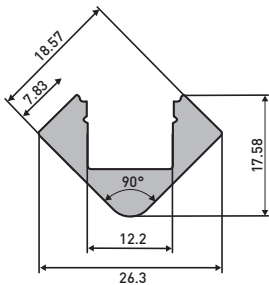


### References :

REF	REF DESCRIPTION	PRICES*
ZALUPROWL70X2M	Aluminum led profile (wall recessed) 2m	€ 104,90
ZTRACOV17__X2M	Transparent LED Cover 2m	€ 3,90
ZTRACOF17__X2M	Frosted LED Cover 2m	€ 3,90
ZENDCAPCOLWL70	End Cap PVC Grey Left	€ 7,70
ZENDCAPCORWL70	End Cap PVC Grey Right	€ 7,70

\*BRUTO WITHOUT VAT/PIECES

## ALUMINUM 45° CORNER LED PROFILE AL45 (2M PROFILE)



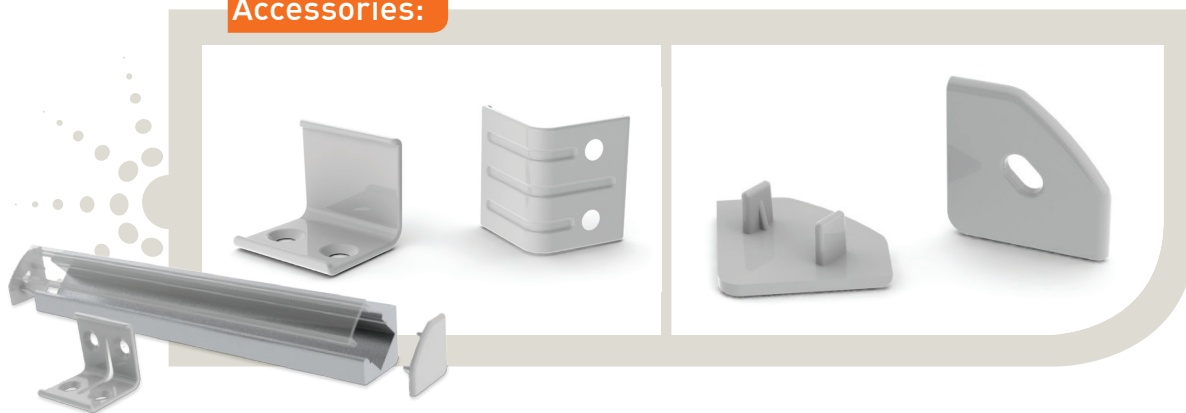
### Features:

- › High quality diffuser now placing from the front on click
- › Polycarbonate UV resistant, damage resistant (walk over safe)
- › Diffuser available in transparent, and frosted
- › Base of the profile is made in anodized aluminum
- › ALU 45 is suitable for low power and high power leds
- › Simplicity design with high quality finish

### Applications:

- › Under kitchen cabinets LED lighting
- › Stores shelves LED lighting
- › Furniture production, inside cabinets LED lighting
- › Storage shelves LED lighting
- › Exhibition booth LED lighting

### Accessories:



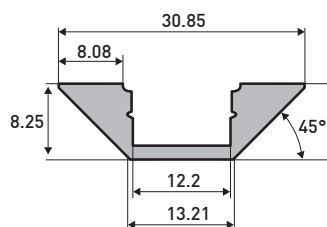
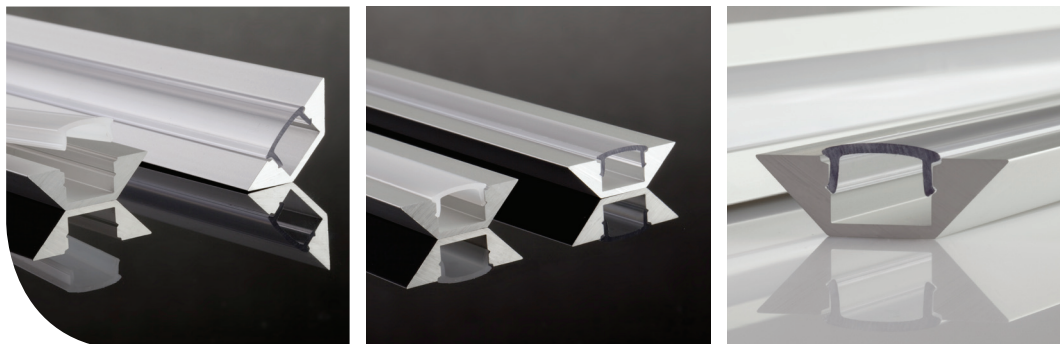
### References :

REF	DESCRIPTION	PRICES*
ZALUPROAL45X2M	Anodized Aluminum 45° Corner LED profile, 17x07mm x2m	€ 69,90
ZTRACOV17__X2M	Polycarbonate Cover, Clip on system, 2m, Transparent	€ 3,90
ZTRACOF17__X2M	Polycarbonate Cover, Clip on system, 2m, Frosted	€ 3,90
ZENDCAPCOVAL45	PVC End Cap no hole	€ 4,70
ZENDCAPCOHAL45	PVC End Cap with hole	€ 4,70
ZALPROCLIPAL45	PVC Grey Clip	€ 3,90

\*BRUTO WITHOUT VAT/PIECES

## ALUMINUM 45° CORNER LED PROFILE VL45

(2M PROFILE)



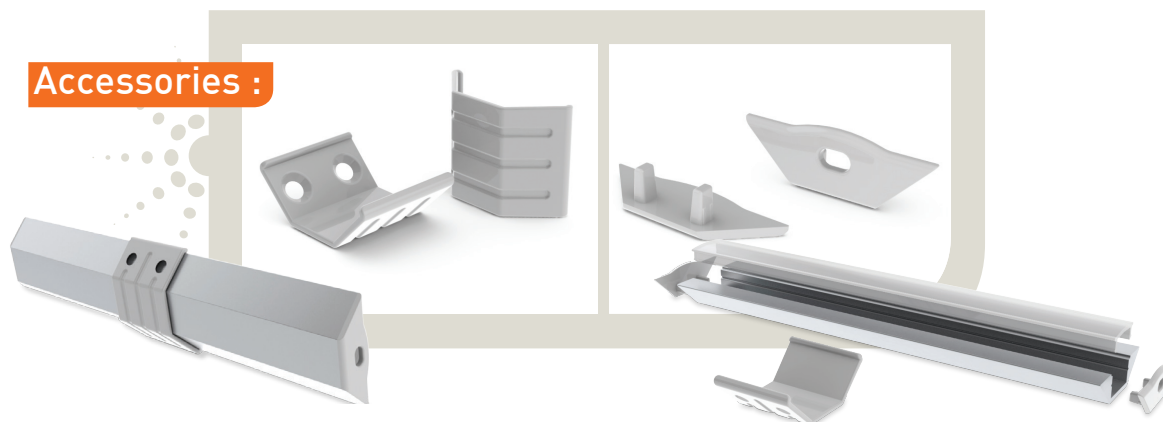
### Features:

- › High quality diffuser now placed from the front on click
- › Polycarbonate UV resistant, damage resistant (walk over safe)
- › Diffuser available in transparent, 50% opal and opal
- › Base of the profile is made in anodized aluminum
- › VL 45 is suitable for low power and high power led strips

### Applications:

- › Under kitchen cabinets LED lighting
- › Stores shelves LED lighting
- › Furniture production, inside cabinets LED lighting
- › Storage shelves LED lighting
- › Exhibition booth LED lighting
- › Interior LED lighting

### Accessories :



### References :

REF	DESCRIPTION	PRICES*
ZALUPROVL45X2M	Anodized Aluminum 45° Corner LED profile, 31x8mm x2m	€ 64,90
ZTRACOV17__X2M	Polycarbonate Cover, Clip on system, 2m, Transparent	€ 3,90
ZTRACOF17__X2M	Polycarbonate Cover, Clip on system, 2m, Frosted	€ 3,90
ZENDCAPCOVVL45	PVC End Cap no hole	€ 4,70
ZENDCAPCOHVL45	PVC End Cap with hole	€ 4,70
ZALPROCLIPVL45	PVC Grey Clip	€ 3,90

\*BRUTO WITHOUT VAT/PIECES









