

LED there be light








2016

 **spotled**

PRODUCT
CATALOGUE



Summary

-  **Catalogue 1**
Floodlights & High Bays
-  **Catalogue 2**
Ceiling LED Tiles
-  **Catalogue 3**
Flexible LED Strips
-  **Catalogue 4**
Controllers
-  **Catalogue 5**
Power Supplies
-  **Catalogue 6**
Aluminum Profiles
-  **Catalogue 7**
Ground Spots

LED there be light

 spotled

Index

Floodlights & High Bays

1

Classic Floodlights

10W LED Floodlight 120° page 1.4

30W LED Floodlight 120° page 1.5

50W LED Floodlight 120° page 1.6

Compact Floodlights

10W LED Floodlight 120° page 1.8

30W LED Floodlight 120° page 1.9

50W LED Floodlight 120° page 1.10

70W LED Floodlight 120° page 1.11

Accessories For Floodlights page 1.12

Floodlights For Special Applications

100W LED Floodlight page 1.14

150W - 200W LED Floodlight page 1.15

250W LED Floodlight page 1.16

300W LED Floodlight page 1.17

400W LED Floodlight page 1.18

600W LED Floodlight page 1.19

800W LED Floodlight page 1.20

1000W LED Floodlight page 1.21

Photometric Distribution For Special Floodlights page 1.22

High Bays

High Bay LED Lights 100W - 150W page 1.24

High Bay LED Lights 200W - 250W page 1.25

High Bay LED Lights 300W - 350W - 400W page 1.26

Accessories For High Bay Lights page 1.27

Round-Flat High Bay LED Light 70, 90 & 120W page 1.29

Round-Flat High Bay led Light 150 & 200W page 1.30

Spotted Heavy Duty

Spotted Heavy Duty Series page 1.32

Ceiling LED Tiles

2

60 x 60 3600lm Ceiling LED Tile page 2.3

120 x 30 3600lm Ceiling LED Tile page 2.4

Ceiling LED Tile Accessories page 2.5

Flexible LED Strips

3

Non Waterproof Flexible LED Strip

Non Waterproof Flexible LED Strip 96 LED 2835/m 48W	page 3.4
Non Waterproof Flexible LED Strip 80 LED 2835/m 73W	page 3.5
Non Waterproof Flexible LED Strip 80 LED 2835/m 88W	page 3.6
Non Waterproof Flexible LED Strip 128 LED 2835/m 116W	page 3.7
Non Waterproof Flexible LED Strip 128 LED 2835/m 140W	page 3.8
Non Waterproof Flexible LED Strip LED 120 & 180 Dual White 96 & 144W	page 3.9
Non Waterproof Flexible LED Strip 60 & 96 LED 5050/m (Single Color & RGB) 72W & 115W	page 3.10
Non Waterproof Flexible LED Strip 96 LED 5050/m (RGBW) 150W	page 3.11

LED Strip Connectors

Solderless Connectors	page 3.13
-----------------------	-----------

Waterproof Flexible LED Strip

Waterproof Flexible LED Strip 120 LED 3020/m 45W	page 3.15
Waterproof Flexible LED Strip 30 LED 5050/m (RGB) 36W	page 3.16
Waterproof Flexible LED Strip 60 LED 5050/m (RGB) 72W	page 3.17

Controllers

4

Spotted Light Control Single Zone Remote Controller Kits	page 4.4
Spotted Light Control Multi Zones Remote Controllers	page 4.5
Spotted Light Control Multi Zones 4 Channels Remote Controller	page 4.6
Spotted Light Control 4 Channels Constant Voltage Receiver	page 4.6
Spotted Light Control Constant Current Receiver	page 4.6
Spotted Light Control D series Touch Panel Controller	page 4.7
Spotted Light Control Power Amplifier Constant Voltage	
Spotted Light Control Wifi Controller Wifi104	page 4.8
Spotted Light Control UX8 RGBW Touch Panel	page 4.8
Spotted Light Control V8 4 Zones Remote Control	page 4.8
Spotted Light Control 4 Channels Constant Voltage Receiver	page 4.9
Spotted Light Control Constant Voltage Power Repeater 4 Channels	page 4.9
Sunlite DMX Controllers Stick GU2 – CU4 – DE3	page 4.10
Spotted Light Control DMX Constant Voltage Interface	page 4.11
DMX Constant Voltage Interface 6A With Hydradrive Technology	page 4.12
DMX/DALI Constant Voltage Interface 24A With Hydradrive Technology	page 4.12
Push Button RGB Controller	page 4.13
Dimmable LED Controller	page 4.14

Power Supplies

5

Constant Voltage Power Supplies

Low Power Lighting PSU (CV)	page 5.4
Waterproof Low Power PSU (CV)	page 5.5
Waterproof Low Power PSU (CV + CC)	page 5.6
Waterproof Low Power PSU (CV)	page 5.7
Waterproof Mains Dimmable LED Power Supplies 12V, 24V (CV)	page 5.8
Waterproof High Power PSU (CV+CC)	page 5.9
DALI-PWM Signal Converter	page 5.9
Waterproof High Power PSU (CV+CC)	page 5.10
Din Rail Power Supplies 30→100 W (CV)	page 5.11
Din Rail Power Supplies 75→480 W (CV)	page 5.11

Constant Current Power Supplies

Low Power Lighting PSU (CC)	page 5.13
Non Waterproof Multi Power PSU With PFC (CC)	page 5.14
Plug In Power Adaptator (CV)	page 5.15

Aluminum Profiles

6

Aluminum LED Profile 1504 (2m)	page 6.4
Aluminum LED Profile 1606 (2m)	page 6.5
Aluminum LED Profile 1808 (2m)	page 6.6
Aluminum LED Profile 1910 (2m)	page 6.7
Aluminum Recessed led Profile 2510 (2m)	page 6.8
Aluminum led Profile 1919 (2m)	page 6.9
Aluminum Recessed LED Profile 3520 (2m)	page 6.10
Aluminum Wide led Profile 2208 (2m)	page 6.11
Aluminum Wide led Profile 2215 (2m)	page 6.12
Aluminum Wide led Profile 3535 (2m)	page 6.13
Aluminum Wide Recessed led Profile 4435 (2m)	page 6.14
Aluminum 45° Corner LED Profile XL45 (2m)	page 6.15
Aluminum Adjustable LED Profile AD20 (2m)	page 6.16
Aluminum H-shaped LED Profile 3018 (2m)	page 6.17

Ground Spots

7

Mini Ground Spot 40mm	page 7.3
High Power Ground Spot 110MM	page 7.4



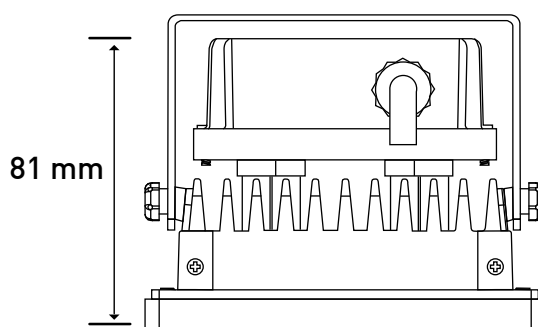
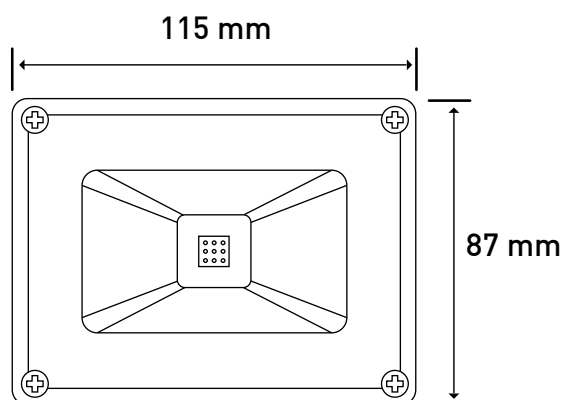
Floodlights
& High Bays



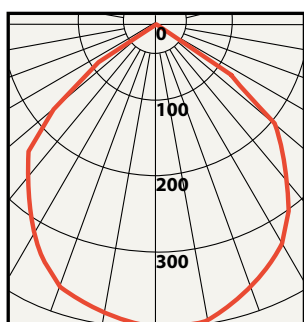
Classic Floodlights

10W LED FLOODLIGHT 120°

Property	Value
LED Power	10W
Input Voltage	100-240VAC
LED	Spotted Epistar
Light Output	650-700lm
CCT	3250K +/- 250 4250K +/- 250
Life Span	35000h
CRI	>80
PF	>0.9
IP Level	IP65
Beam Angle	120°
Casing Color	Black
Dimmable	No
Dimensions	81x115x87mm
Weight	0.5kg
Certificates	CE, ROHS
Warranty	3 years



Goniogram



Goniogram for a 120° Fixture

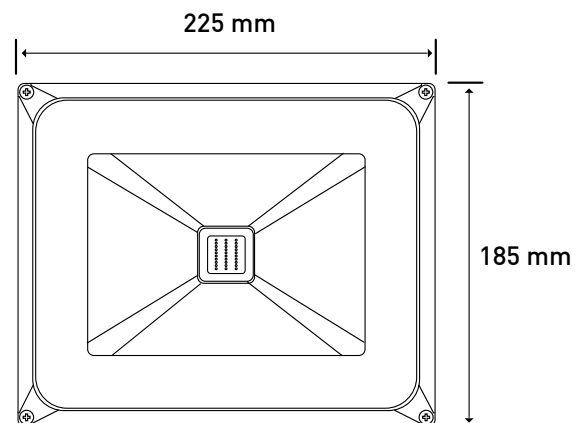
High reliability
LED chips by **EPISTAR**

References:

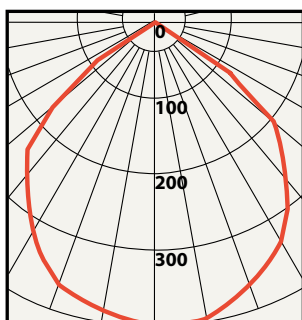
Model	Description	GTIN / EAN
EP010PSHB12032	3250K 120° Black	5420061204325
EP010PSHB12042	4250K 120° Black	5420061204332

30W LED FLOODLIGHT 120°

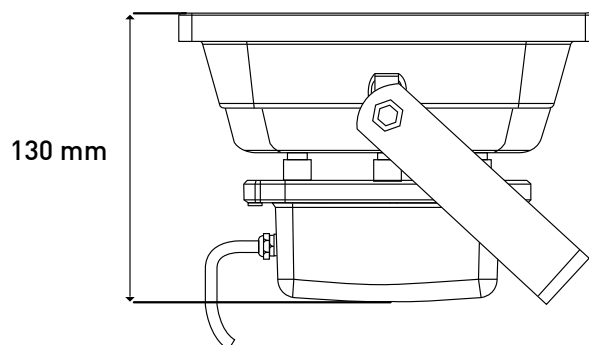
Property	Value
LED Power	30W
Input Voltage	100-240VAC
LED	Spotted Epistar
Light Output	2100-2250lm
CCT	3250K +/- 250 4250K +/- 250
Life Span	35000h
CRI	> 80
PF	> 0.9
IP Level	IP65
Beam Angle	120°
Casing Color	Black
Dimmable	No
Dimensions	130x225x185mm
Weight	1.27kg
Certificates	CE, ROHS
Warranty	3 years



Goniogram



Goniogram for a 120° Fixture



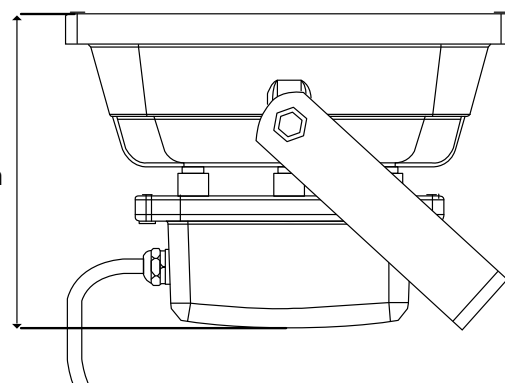
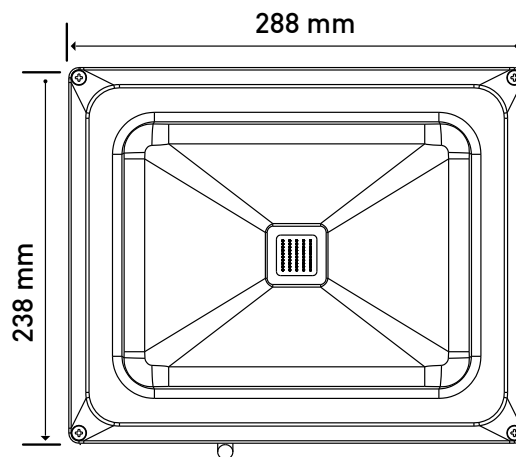
High reliability
LED chips by **EPISTAR**

References:

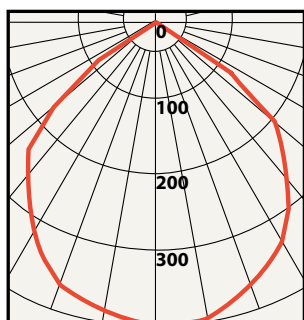
Model	Description	GTIN / EAN
EP030PSHB12032	3250K 120° Black	5420061204356
EP030PSHB12042	4250K 120° Black	5420061204363

50W LED FLOODLIGHT 120°

Property	Value
LED Power	50W
Input Voltage	100-240VAC
LED	Spotted Epistar
Light Output	3500-3750lm
CCT	3250K +/- 250 4250K +/- 250
Life Span	35000h
CRI	>80
PF	>0.9
IP Level	IP65
Beam Angle	120°
Casing Color	Black
Dimmable	No
Dimensions	150x288x238mm
Weight	2.05kg
Certificates	CE, ROHS
Warranty	3 years



Goniogram



Goniogram for a 120° Fixture

High reliability
LED chips by **EPISTAR**

References:

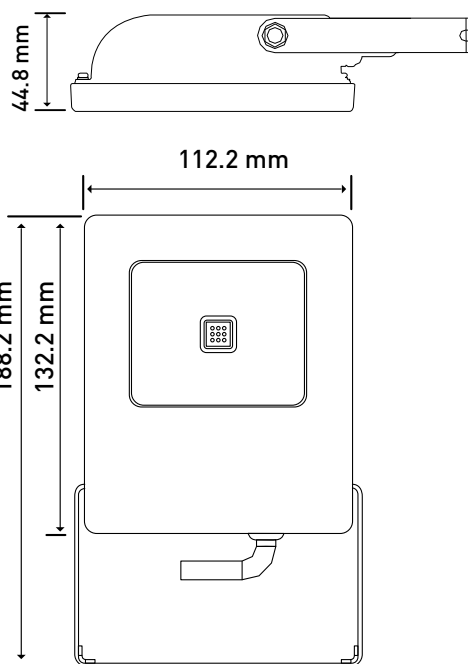
Model	Description	GTIN / EAN
EP050PSHB12032	3250K 120° Black	5420061204448
EP050PSHB12042	4250K 120° Black	5420061204455



Compact Floodlights

10W LED FLOODLIGHT 120°

Property	Value
LED Power	10W
Input Voltage	100-240VAC
LED	Spotted Epistar
Light Output	650 - 700lm
CCT	3250K +/- 250 4250K +/- 250
Life Span	35000h
CRI	>80
PF	>0.9
IP Level	IP65
Beam Angle	120°
Casing Color	Black
Dimmable	No
Dimensions	112.2x188.2x44.8mm
Weight	0,5 - 0,52kg
Certificates	CE, ROHS
Warranty	3 years



WITH DETECTOR

Dimensions
49x58x57mm

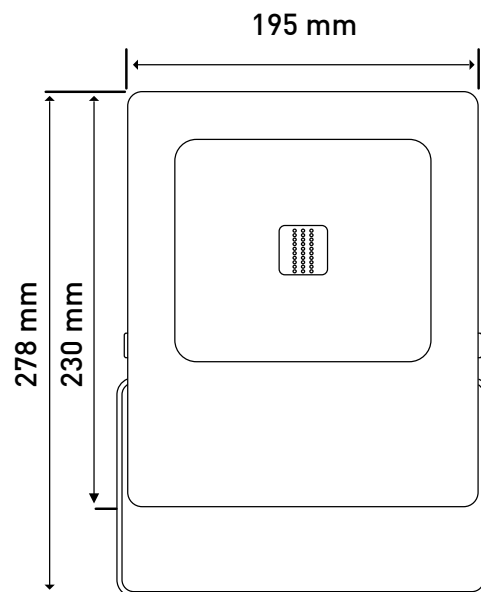
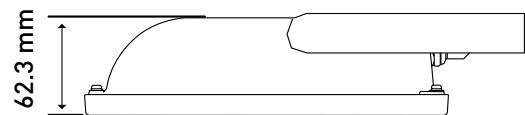
High reliability LED chips by **EPISTAR**

References:

Model	Description	GTIN / EAN
EP011PSHB12032	3250K 120° Black	5420061202369
EP011PSHB12042	4250K 120° Black	5420061202833
EPD11PSHB12032	3250K 120° Black with detector	5420061203908
EPD11PSHB12042	4250K 120° Black with detector	5420061203915

30W LED FLOODLIGHT 120°

Property	Value
LED Power	30W
Input Voltage	100-240VAC
LED	Spotled Epistar
Light Output	2100 - 2250lm
CCT	3250K +/-250K 4250K +/-250K
Life Span	35000h
CRI	>80
PF	>0.9
IP Level	IP65
Beam Angle	120°
Casing Color	Black
Dimmable	No
Dimensions	195x278x62.3mm
Weight	1,7 - 1,72kg
Certificates	CE, ROHS
Warranty	3 years



WITH DETECTOR

Dimensions
49x58x57mm

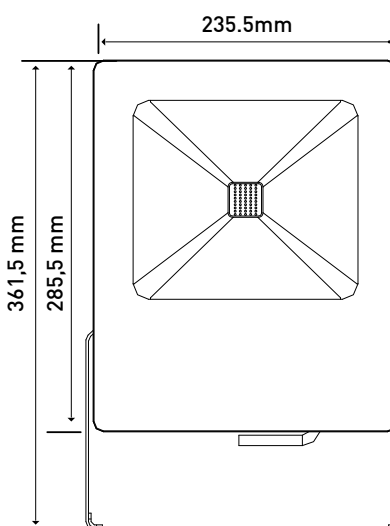
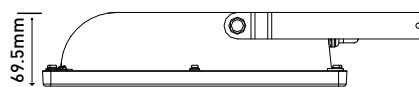
High reliability LED chips by **EPISTAR**

References:

Model	Description	GTIN / EAN
EP031PSHB12032	3250K 120° Black	5420061202888
EP031PSHB12042	4250K 120° Black	5420061202901
EPD31PSHB12032	3250K 120° Black with detector	5420061204028
EPD31PSHB12042	4250K 120° Black with detector	5420061204127

50W LED FLOODLIGHT 120°

Property	Value
LED Power	50W
Input Voltage	100-240VAC
LED	Spotted Epistar
Light Output	3500-3750lm
CCT	3250K +/-250K 4250K +/-250K
Life Span	35000h
CRI	>80
PF	>0.9
IP Level	IP65
Beam Angle	120°
Casing Color	Black
Dimmable	No
Dimensions	235.5*361.5*69.5mm
Weight	2.34 - 2.36kg
Certificates	CE, ROHS
Warranty	3 years



WITH DETECTOR

Dimensions
49x58x57mm

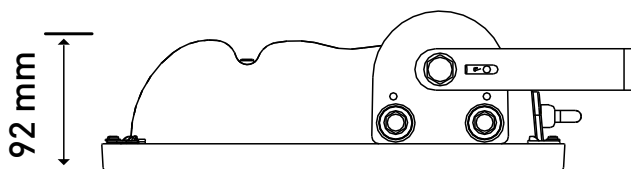
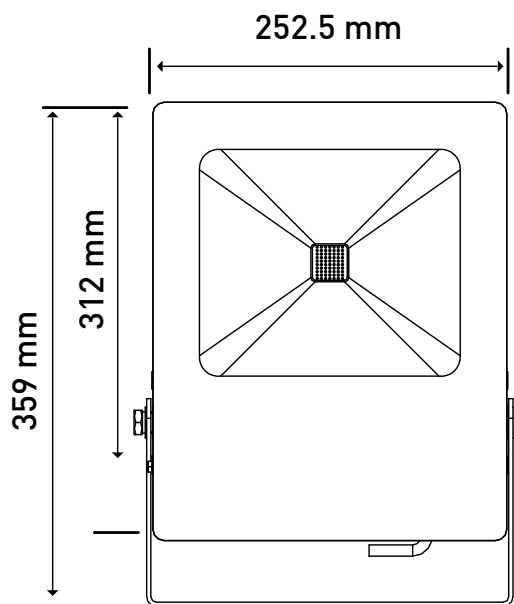
High reliability LED chips by **EPISTAR**

References:

Model	Description	GTIN / EAN
EP051PSHB12032	3250K 120° Black	5420061202918
EP051PSHB12042	4250K 120° Black	5420061203465
EPD51PSHB12032	3250K 120° Black with detector	5420061204301
EPD51PSHB12042	4250K 120° Black with detector	5420061204318

70W LED FLOODLIGHT 120°

Property	Value
LED Power	70W
System Power	77W
Input Voltage	100-300VAC
LED	Spotted Epistar with Meanwell driver
Light Output	4900-5250lm
CCT	3250K +/-250K 4250K +/-250K
Life Span	35000h
CRI	>80
PF	>0.9
IP Level	IP65
Beam Angle	120°
Casing Color	Black
Dimmable	No
Dimensions	252.5x359x92mm
Weight	3.95kg
Certificates	CE, ROHS
Warranty	3 years



Power supply by 
High reliability LED chips by
EPISTAR

References:

Model	Description	GTIN / EAN
EP071PSHB12032	3250K 120° Black Meanwell driver	5420061203687
EP071PSHB12042	4250K 120° Black Meanwell driver	5420061203885

ACCESSORIES FOR FLOODLIGHTS

BRACKET FOR 10, 20, 30 & 50W FLOODLIGHT



References:

Model	Description	GTIN / EAN
ESPOTBRACK055SB	Spotted 55cm bracket for 10 to 50W floodlights, painted steel black	5420061205032
ESPOTBRACK088SB	Spotted 88cm bracket for 10 to 50W floodlights, painted steel black	5420061205070

PLASTIC SPIKE FOR FLOODLIGHTS



References:

Model	Description	GTIN / EAN
ESPOTSPK416M06	Spotted spike for 10-20W floodlights with M6 screw	5420061204882
ESPOTSPK627M10	Spotted spike for 30-50W floodlights with M10 screw	5420061204943

CONNECTORS



References:

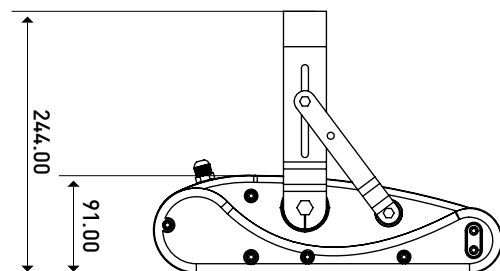
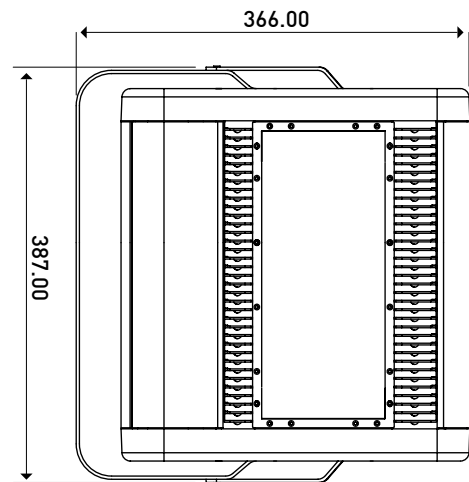
Model	Description	GTIN / EAN
ESPOTCON2WIP65	Spotted inline connector for wire to wire mains connection IP65	5420061205087
ESPOTBOX2WIP65	Spotted connection box 2 ways IP65	5420061205094
ESPOTBOX3WIP65	Spotted connection box 3 ways IP65	5420061205100



Floodlights For Special Applications

100W LED FLOODLIGHT

Property	Value
LED Power	100W
System Power	110W
Input Voltage	90-305VAC / 50-60Hz
PSU/Driver	Meanwell
LED	Philips
Efficiency	> 110lm/W
CCT	5000K (3000K on request)
Life Span	50000h
CRI	> 80
PF	> 0.95
IP Level	IP65
Beam Angle	40°, 60°, 60°x135° (other beam angles on request, see p.22)
Casing Color	Black
Dimmable	In option
Dimensions	387x366x91mm
Cable Length	2m
Weight	8kg
Certificates	ETL, TUV GS, CB, FCC, TUV CE, SAA, PSE, ROHS
Warranty	3 years



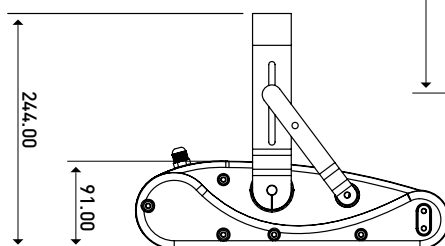
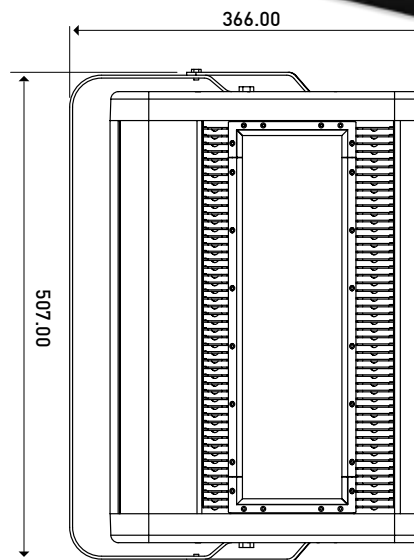
Reference:

Model	Description	GTIN / EAN
LL100PSHB04030	Flat floodlight 100W (110W) 90-305VAC PH LED 40° 3000K CRI80+	5420061235305
LL100PSHB04050	Flat floodlight 100W (110W) 90-305VAC PH LED 40° 5000K CRI80+	5420061237088
LL100PSHB06050	Flat floodlight 100W (110W) 90-305VAC PH LED 60° 5000K CRI80+	5420061231963
LL100PSHBE6050	Flat floodlight 100W (110W) 90-305VAC PH LED 60x135° 5000K CRI80+	5420061235350

Other models on request

150W - 200W LED FLOODLIGHT

Property	Value
LED Power	150W - 200W
System Power	170W - 220W
Input Voltage	90-305VAC / 50-60Hz
PSU / Driver	Meanwel
LED	Philips
Efficiency	> 110lm/W
CCT	5000K (3000K on request)
Life Span	50000h
CRI	> 80
PF	> 0.95
IP Level	IP65
Beam Angle	60°, 60°x135°, 85°x135° (other beam angles on request, see p.22)
Casing Color	Black
Dimmable	In option
Dimensions	507x366x91mm
Cable Length	2m
Weight	9.6 - 9.8kg
Certificates	ETL, TUV GS, CB, FCC, TUV CE, SAA, PSE, ROHS
Warranty	3 years



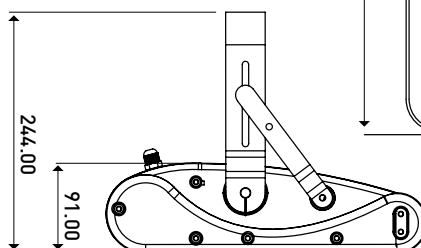
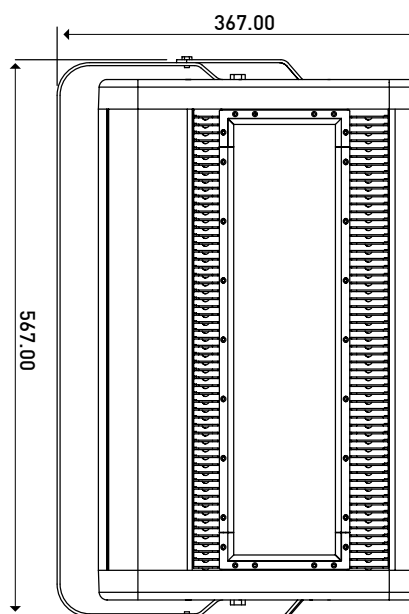
Reference:

Model	Description	GTIN / EAN
LL150PSHB06050	Flat floodlight 150W (170W) 90-305VAC PH LED 60° 5000K CRI80+	5420061231970
LL150PSHBE6050	Flat floodlight 150W (170W) 90-305VAC PH LED 60x135° 5000K CRI80+	5420061234940
LL150PSHBE8550	Flat floodlight 150W (170W) 90-305VAC PH LED 85x135° 5000K CRI80+	5420061233738
LL200PSHB04050SS	Flat floodlight 200W (220W) 90-305VAC PH LED 40° 5000K CRI80+ SEA	5420061237965
LL200PSHB06050	Flat floodlight 200W (220W) 90-305VAC PH LED 60° 5000K CRI80+	5420061231987
LL200PSHBE6050	Flat floodlight 200W (220W) 90-305VAC PH LED 60x135° 5000K CRI80+	5420061233813

Other models on request

250W LED FLOODLIGHT

Property	Value
LED Power	250W
System Power	275W
Input Voltage	90-305VAC / 50-60Hz
PSU / Driver	Meanwel
LED	Philips
Efficiency	> 110lm/W
CCT	5000K (3000K on request)
Life Span	50000h
CRI	> 80
PFC	> 0.95
IP Level	IP65
Beam Angle	30°, 40°, 60°, 60°x135°, 85°x135° (other beam angles on request, see p.22)
Casing Color	Black
Dimmable	In option
Dimensions	567x367x91mm
Cable Length	2m
Weight	9.6kg
Certificates	ETL, TUV GS, CB, FCC, TUV CE, SAA, PSE, ROHS
Warranty	3 years



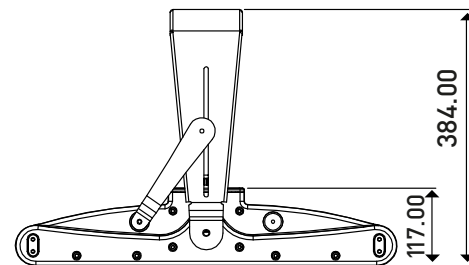
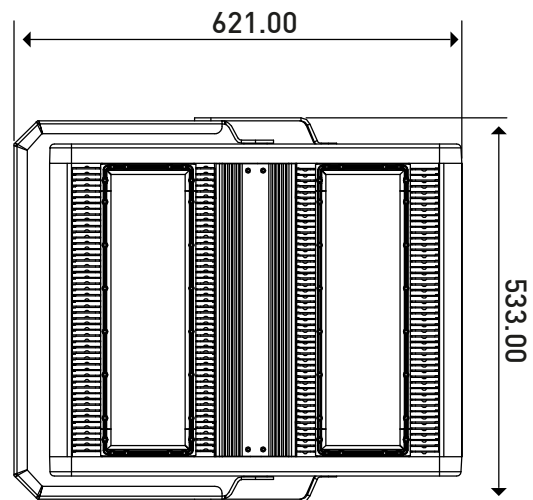
Reference:

Model	Description	GTIN / EAN
LL250PSHB03030	Flat floodlight 250W (275W) 90-305VAC PH LED 30° 3000K CRI80+	5420061235312
LL250PSHB04050	Flat floodlight 250W (275W) 90-305VAC PH LED 40° 5000K CRI80+	5420061235046
L0250PDHW06030	Flat floodlight 265W 90-305VAC OS LED 60° 3000K CRI90+ dim	5420061237262
L0250PSHW06030	Flat floodlight 265W 90-305VAC OS LED 60° 3000K CRI90+	5420061238948
LL250PSHB06050	Flat floodlight 250W (275W) 90-305VAC PH LED 60° 5000K CRI80+	5420061232816
LL250PSHBE6050	Flat floodlight 250W (275W) 90-305VAC PH LED 60x135° 5000K CRI80+	5420061233806
LL250PSHBE8550	Flat floodlight 250W (275W) 90-305VAC PH LED 85x135° 5000K CRI80+	5420061235732

Other models on request

300W LED FLOODLIGHT

Property	Value
LED Power	300W
System Power	330W
Input Voltage	90-305VAC / 50-60Hz
PSU / Driver	Meanwel
LED	Philips
Efficiency	> 110lm/W
CCT	5000K (3000K on request)
Life Span	50000h
CRI	> 80
PFC	> 0.95
IP Level	IP65
Beam Angle	60°, 60°x135° (other beam angles on request, see p.22)
Casing Color	Black
Dimmable	In option
Dimensions	533x621x117mm
Cable Length	2m
Weight	17kg
Certificates	ETL, TUV GS, CB, FCC, TUV CE, SAA, PSE, ROHS
Warranty	3 years



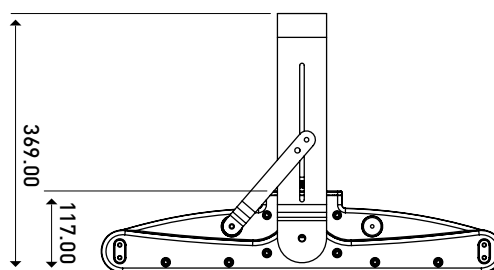
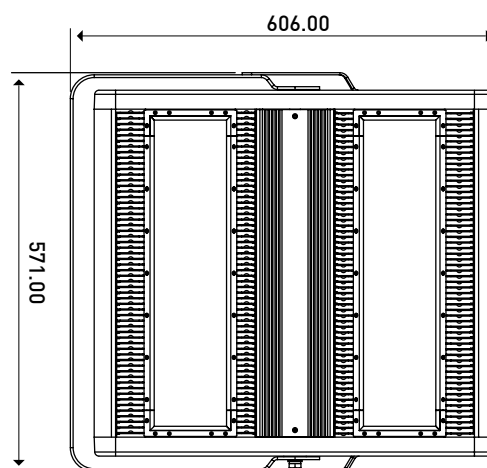
Reference:

Model	Description	GTIN / EAN
LL300PSHB06050	Flat floodlight 300W (330W) 90-305VAC PH LED 60° 5000K CRI80+	5420061231994
LL300PSHBE6050	Flat floodlight 300W (330W) 90-305VAC PH LED 60x135° 5000K CRI80+	5420061238757

Other models on request

400W LED FLOODLIGHT

Property	Value
LED Power	400W
System Power	440W
Input Voltage	90-305VAC / 50-60Hz
PSU / Driver	Meanwel
LED	Philips
Efficiency	> 110lm/W
CCT	5000K (3000K on request)
Life Span	50000h
CRI	> 80
PFC	> 0.95
IP Level	IP65
Beam Angle	60°, 60°x135° (other beam angles on request, see p.22)
Casing Color	Black
Dimmable	In option
Dimensions	571x606x117mm
Cable Length	2m
Weight	19kg
Certificates	ETL, TUV GS, CB, FCC, TUV CE, SAA, PSE, ROHS
Warranty	3 years



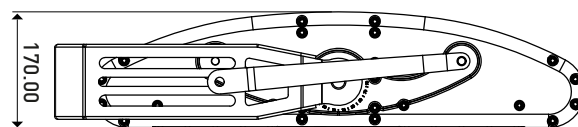
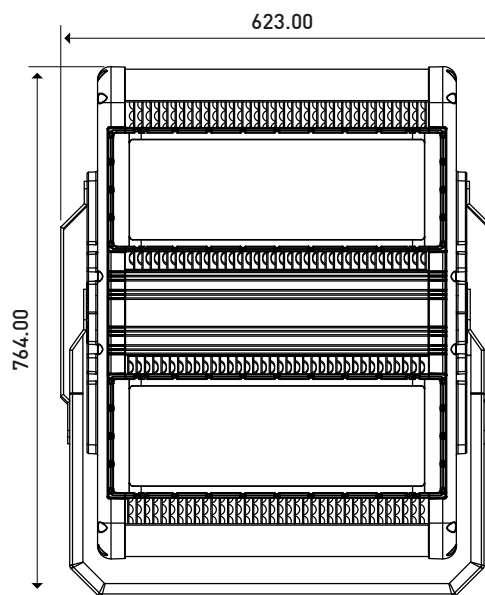
Reference:

Model	Description	GTIN / EAN
LL400PSHB06050	Flat floodlight 400W (440W) 90-305VAC PH LED 60° 5000K CRI80+	5420061232007
LL400PSHBE6050	Flat floodlight 400W (440W) 90-305VAC PH LED 60x135° 5000K CRI80+	5420061238764

Other models on request

600W LED FLOODLIGHT

Property	Value
LED Power	600W
System Power	660W
Input Voltage	90-305VAC / 50-60Hz
PSU / Driver	Meanwel
LED	Philips
Efficiency	> 110lm/W
CCT	5000K (3000K on request)
Life Span	50000h
CRI	> 80
PFC	> 0.95
IP Level	IP65
Beam Angle	60° (other beam angles on request, see p.22)
Casing Color	Black
Dimmable	In option
Dimensions	764x623x170mm
Cable Length	2m
Weight	27kg
Certificates	ETL, TUV GS, CB, FCC, TUV CE, SAA, PSE, ROHS
Warranty	3 years



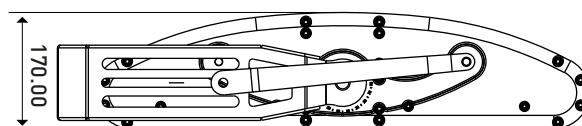
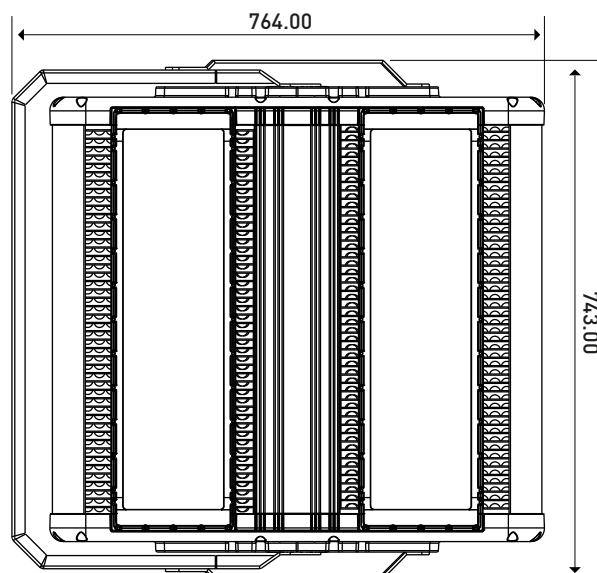
Reference:

Model	Description	GTIN / EAN
LL600PSHB06050	Flat floodlight 600W (660W) 90-305VAC PH LED 60° 5000K CRI80+	5420061232014

Other models on request

800W LED FLOODLIGHT

Property	Value
LED Power	800W
System Power	880W
Input Voltage	90-305VAC / 50-60Hz
PSU / Driver	Meanwel
LED	Philips
Efficiency	> 110lm/W
CCT	5000K (3000K on request)
Life Span	50000h
CRI	> 80
PFC	> 0.95
IP Level	IP65
Beam Angle	60° (other beam angles on request, see p.22)
Casing Color	Black
Dimmable	In option
Dimensions	743x764x170mm
Cable Length	2m
Weight	36kg
Certificates	CE, ROHS
Warranty	3 years



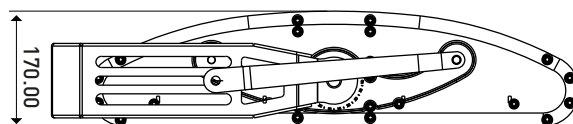
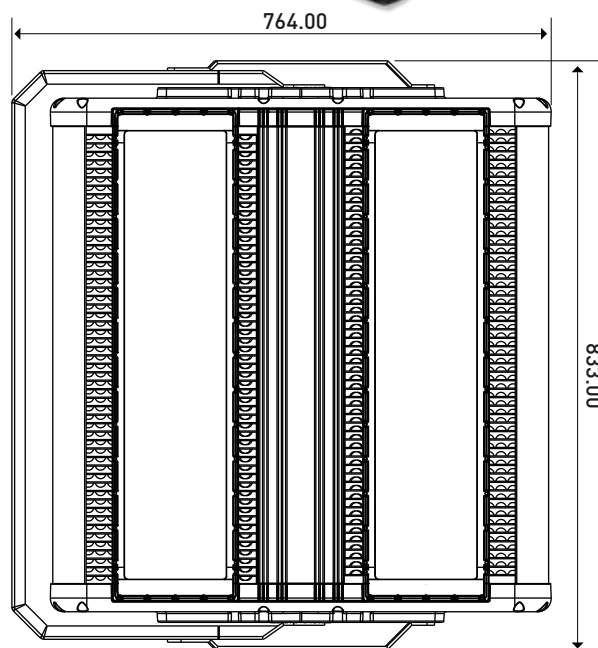
Reference:

Model	Description	GTIN / EAN
LL800PSHB06050	Flat floodlight 800W (880W) 90-305VAC PH LED 60° 5000K CRI80+	5420061232021

Other models on request

1000W LED FLOODLIGHT

Property	Value
LED Power	1000W
System Power	1100W
Input Voltage	90-305VAC / 50-60Hz
PSU / Driver	Meanwell
LED	Philips
Efficiency	> 110lm/W
CCT/	5000K (3000K on request)
Life Span	50000h
CRI	> 80
PFC	> 0.95
IP Level	IP65
Beam Angle	60° (other beam angles on request, see p.28-29)
Casing Color	Black
Dimmable	In option
Dimensions	833x764x170mm
Cable Length	2m
Weight	40kg
Certificates	CE, ROHS
Warranty	3 years



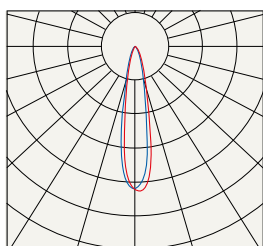
Reference:

Model	Description	GTIN / EAN
LL1K0PSHB06050	Flat floodlight 1000W (1100W) 90-305VAC PH LED 60° 5000K CRI80+	5420061232038

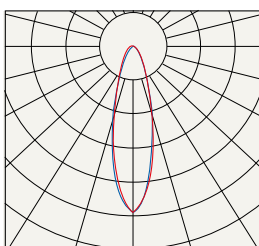
Other models on request

PHOTOMETRIC DISTRIBUTION OF SPECIAL FLOODLIGHTS

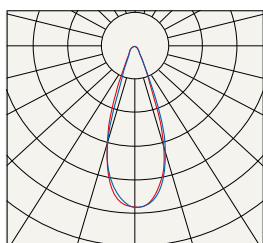
Symmetric beam angle



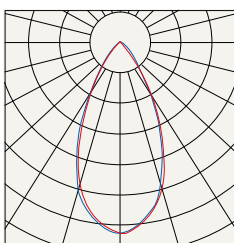
15°x15°



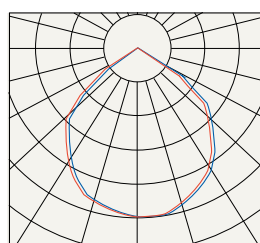
30°x30°



40°x40°

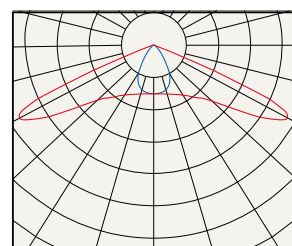


60°x60°

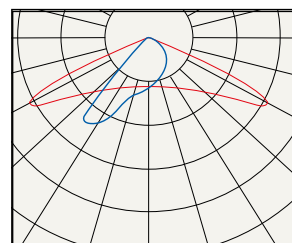


120°x120°

Asymmetric beam angle



60°x135°



85°x135°

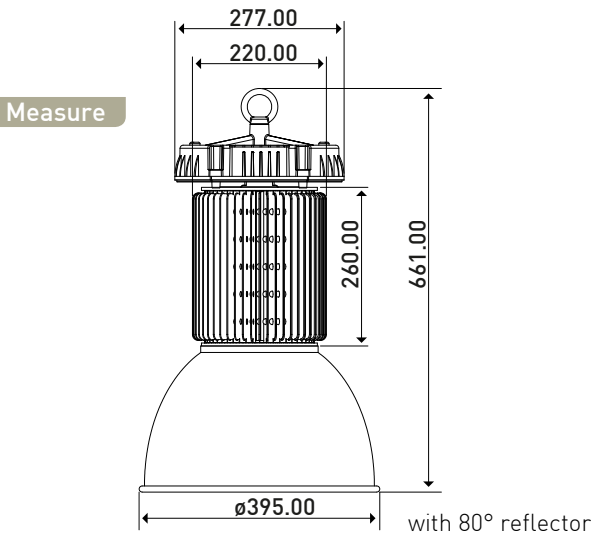
Power Code	
LL060PSHB12050	60W
⋮	⋮
LL800PSHB12050	800W
LL1K0PSHB12050	1000W
Beam angle code	
LL100PSHB01550	15x15° symmetric beam angle
LL100PSHB03050	30x30° symmetric beam angle
LL100PSHB04050	40x40° symmetric beam angle
LL100PSHB06050	60x60° symmetric beam angle
LL100PSHB12050	120x120° symmetric beam angle
LL100PSHBE6050	65x135° asymmetric beam angle
LL100PSHBE8550	85x135° asymmetric beam angle
CCT Code	
LL100PSHB12030	3000K
LL100PSHB12050	5000K



High Bays

HIGH BAY LED LIGHTS 100W - 150W

Property	Value
LED Power	100W-150W
System Power	110W-170W
Input Voltage	90-305VAC / 50-60Hz
PSU / Driver	Meanwell
LED	Philips
Light Output	> 90lm/W
CCT	5000K (3000K)
Life Span	>50000h
CRI	> 80
PF	> 0.95
IP Level	IP65
Casing Color	Silver
Dimmable	In option
Cable Length	3m
Weight	7.2-7.4kg
Certificates	ETL, TUV GS, CB, FCC, TUV CE, SAA, PSE, ROHS
Warranty	3 years

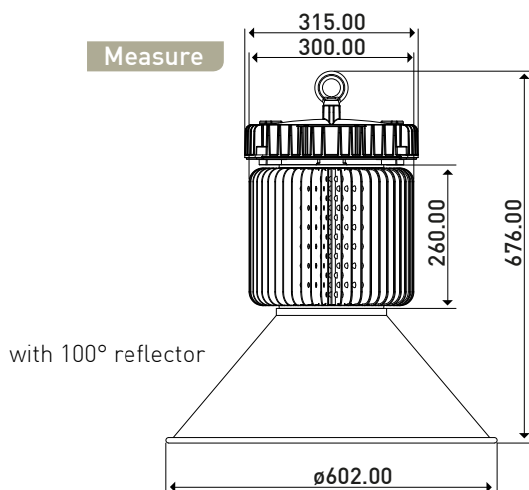


Reference:

Model	Description	GTIN / EAN
LL100HSHAXXX30	High bay 100W (110W) OS LED 9000lm 3000K CRI80+ - no reflector	5420061234803
LL100HSHAXXX50	High bay 100W (110W) OS LED 9000lm 5000K CRI80+ - no reflector	5420061231833
LL150HSHAXXX30	High bay 150W (165W) PH LED 9000lm 3000K CRI80+ - no reflector	5420061234810
LL150HSHAXXX50	High bay 150W (165W) PH LED 9000lm 5000K CRI80+ - no reflector	5420061231840
LL150HSHAXXX_A	High bay 150W (170W) 90-305VAC LED amber - no reflector	5420061235992

HIGH BAY LED LIGHTS 200W - 250W

Property	Value
LED Power	200W-250W
System Power	220W-280W
Input Voltage	90-305VAC / 50-60Hz
PSU / Driver	Meanwell
LED	Philips
Light Output	> 90lm/W
CCT	5000K (3000K)
Life Span	>50000h
CRI	70 (> 80)
PF	> 0.95
IP Level	IP65
Casing Color	Silver
Dimmable	In option
Cable Length	3m
Weight	10 - 11 kg
Certificates	ETL, TUV GS, CB, FCC, TUV CE, SAA, PSE, ROHS
Warranty	3 years

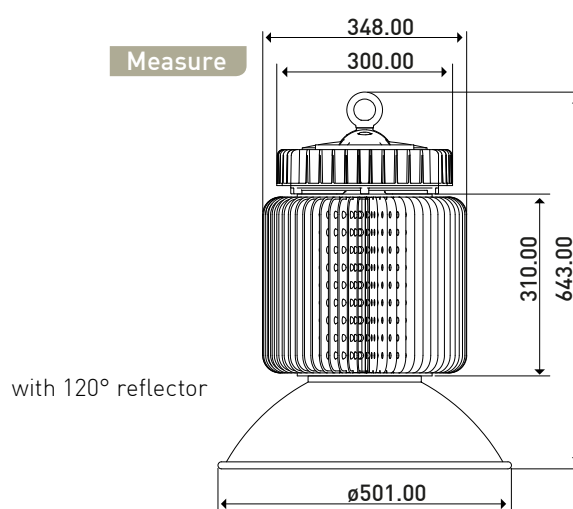


Reference:

Model	Description	GTIN / EAN
LL200HSHAXXX50	High bay 200W (220W) OS LED 18000lm 5000K CRI80+ - no reflector	5420061231857
LL250HSHAXXX30	High bay 250W (280W) OS LED 22500lm 3000K CRI80+ - no reflector	5420061234827
LL250HSHAXXX50	High bay 250W (280W) OS LED 22500lm 5000K CRI80+ - no reflector	5420061231864

HIGH BAY LED LIGHTS 300W - 350W - 400W

Property	Value
LED Power	300W-350W-400W
System Power	330W-390W-440W
Input Voltage	90-305VAC / 50-60Hz
PSU / Driver	Meanwell
LED	Philips
Light Output	> 90lm/W
CCT	5000K (3000K)
Life Span	>50000h
CRI	> 80
PFC	> 0.95
IP Level	IP65
Casing Color	Silver
Dimmable	In option
Cable Length	3m
Weight	17.6 - 17.6 - 18 kg
Certificates	ETL, TUV GS, CB, FCC, TUV CE, SAA, PSE, ROHS
Warranty	3 years



Reference:

Model	Description	GTIN / EAN
LL300HSHAXXX30	High bay 300W (330W) OS LED 27000lm 3000K CRI80+ - no reflector	5420061234834
LL300HSHAXXX50	High bay 300W (330W) OS LED 27000lm 5000K CRI80+ - no reflector	5420061231871
LL350HSHAXXX50	High bay 350W (390W) OS LED 31500lm 5000K CRI80+ - no reflector	5420061231888
LL400HSHAXXX50	High bay 400W (440W) OS LED 36000lm 5000K CRI80+ - no reflector	5420061231895

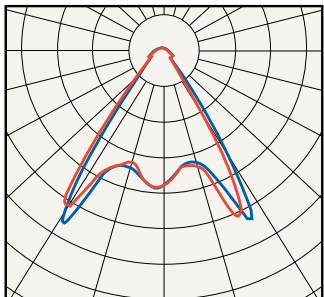
ACCESSORIES FOR HIGH BAY LIGHTS

80° Reflector

Polycarbonate Reflector



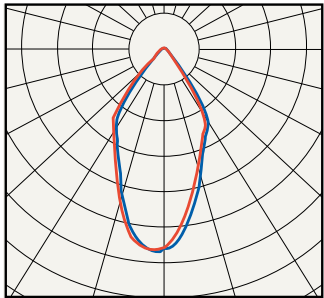
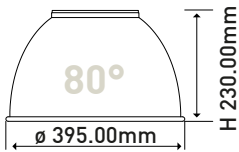
LREFPC080001101



Aluminum Reflector



LREFAL080001102

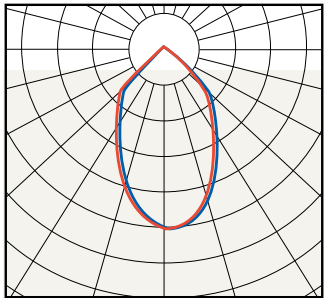
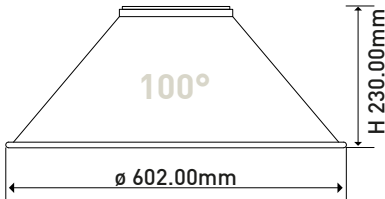


100° Reflector

Aluminum Reflector



LREFAL100001103



References:

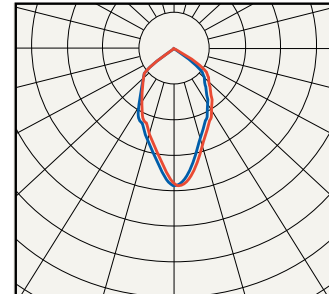
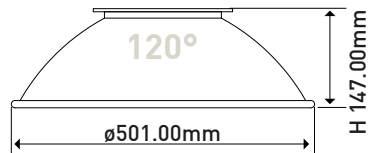
Model	Description	GTIN / EAN
LREFPC080001101	Polycarbonate reflector for high bays 80°	542006123190
LREFAL080001102	Aluminum reflector for high bays 80°	542006123191
LREFAL100001103	Aluminum reflector for high bays 100°	542006123192

120° Reflector

Aluminum Reflector



LREFAL120001104



Cover

Bottom glass cover

For reflector



LCOVGC120001202

Frosted Plastic Cover

For LED source



LCOVPF120001301

References:

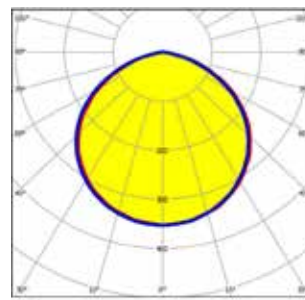
Model	Description	GTIN / EAN
LREFAL120001104	Aluminum reflector for high bays 120°	5420061231932
LCOVGC080001202	Bottom glass cover for high bays 80°	5420061235381
LCOVGC100001202	Bottom glass cover for high bays 100	5420061235374
LCOVGC120001202	Bottom glass cover for high bays 120°	5420061231949
LCOUPF120001301	Frosted plastic cover for high bays	5420061231956

ROUND-FLAT HIGH BAY LED LIGHT 70, 90 & 120W

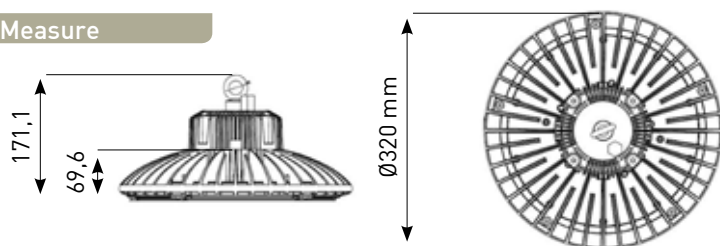
Property	Value
Input Voltage	90-305 VAC, 50-60 Hz
LED Light Source	Philips
LED Qty	190 pcs
LED Power	70, 90, 120W
Total System Power	77/100/137W
Efficiency	>120lm/W
Color Temperature	5000K (4000K)
Color Rendering Index	>80
Light Distribution	Symmetric Circular Spread
LED Junction Temperature	≤ 75°C (@ Ta=25°C)
Working Temperature	-40°C ~ +50°C
Storage Temperature	-40°C ~ +65°C (Best 25°C)
IP Rating	IP65
Net weight	3.6Kg
Life-span	>50000H
Power Cord	2m, 0.75mm ² triple shield wire
Certificate	CE; RoHS; UL (Power supply only)
Light Fixture Color	Black (Other color on request)
Warranty	5 years



Goniogram



Measure



Reference:

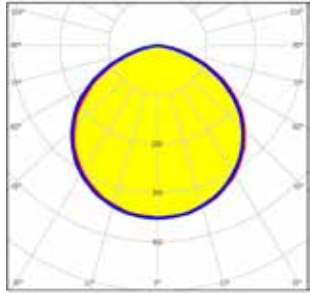
Model	Description	GTIN / EAN
LL070ISHB12050	Flat high bay 70W (77W) 90-305VAC PH LED 5000K CRI80+	5420061238184
LL090ISHB12050	Flat high bay 90W (100W) 90-305VAC PH LED 5000K CRI80+	5420061238177
LL120ISHB12050	Flat high bay 120W (137W) 90-305VAC PH LED 5000K CRI80+	5420061238368

ROUND-FLAT HIGH BAY LED LIGHT 150 & 200W

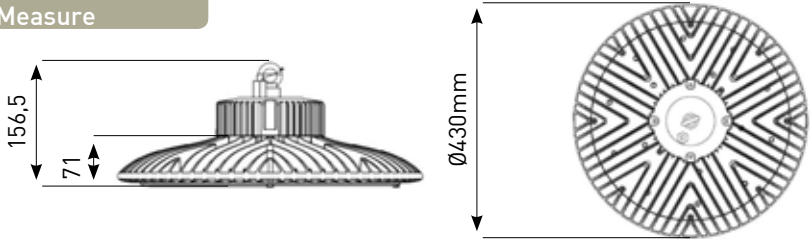
Property	Value
Input Voltage	90-305 VAC, 50-60Hz
LED Light Source	Philips
LED Qty	380 / 500 pcs
LED Power	150 / 200W
Total System Power	165 / 220W
Efficiency	>120lm/W
Color Temperature	5000K (4000K)
Color Rendering Index	>80
Light Distribution	Symmetric Circular Spread
LED Junction Temperature	≤ 75°C (@ Ta=25°C)
Working Temperature	-40°C ~ +50°C
Storage Temperature	-40°C ~ +65°C (Best 25°C)
IP Rating	IP65
Net weight	5.6 Kg
Life-span	> 50000H
Power Cord	2m, 0.75mm ² triple shield wire
Certificate	CE ;RoHS ;UL (Power supply only)
Light Fixture Color	Black (Other color on request)
Warranty	5 years



Goniogram



Measure



Reference:

Model	Description	GTIN / EAN
LL150ISHB12050	Flat high bay 150W (165W) 90-305VAC PH LED 5000K CRI80+	5420061238160
LL200ISHB12050	Flat high bay 200W (220W) 90-305VAC PH LED 5000K CRI80+	5420061238351
LL201ISHB12050	Flat high bay 200W (220W) 90-305VAC PH HE LED 5000K CRI70+	5420061238153



Heavy Duty Series

SPOTLED HEAVY DUTY SERIES



Standard versions of LED floodlights are not designed to support regular voltage fluctuations near gas-discharge lamps, motors or inverters. Therefore, it is not suitable for industrial use.



For this purpose, we recommend using the improved **Spotted Heavy Duty Series**.

Properties of HEAVY floodlights

- Super Bridgelux LED for 100 lm / W Floodlights
- LEDs strictly sorted in our laboratory according to their bin, color temperature and flux
- Premium brand drivers with wide voltage input
- Adaptation of fixations on LEDs and drivers
- Polycarbonate front cover for food safe solutions

These products are assembled in our workshops in Seraing (Belgium). They are designed to be used in hard conditions and harsh environments. High power floodlights (from 100W) are already designed according to Heavy Duty properties. For any specific application involving special requirements, please send us your request.

For low power, in industrial environment, we recommend:

References:

Model	Description	GTIN / EAN
BBH30PSHG12045	LED floodlight 30W 120° 4500K grey 3m cable heavy duty	5420061236036
BBH50PSHG12045	LED floodlight 50W 120° 4500K grey 3m cable heavy duty	5420061236029
BBH70PSHG12045	LED floodlight 70W 120° 4500K grey 3m cable heavy duty	5420061222213

Food safe

Model	Description	GTIN / EAN
BBH30PSHG12045FS	30W 120° 4500K grey 3m cable heavy duty food safe	5420061238474
BBH50PSHG12045FS	50W 120° 4500K grey 3m cable heavy duty food safe	5420061238481
BBH70PSHG12045FS	70W 120° 4500K grey 3m cable heavy duty food safe	5420061238849



Workshop lighting



Warehouse lighting



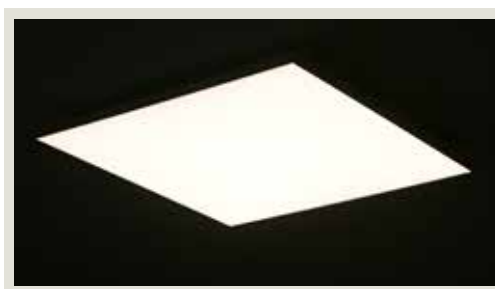
Marine cranes lighting



Ceiling LED
Tiles

60 X 60 3600LM CEILING LED TILE

Property	Value
Power	38W
Voltage	230V / ext.PSU
Power Fact.	0.96
Intensity	3300lm / 3600lm
Angle	120°
CCT/Color	3000K / 4000K
CRI	>80
UGR	19
IPLevel	IP20
Dimensions	595x595x8mm
Frame Color	White
Dimmable	Yes
LED	Epistar
Net weight	3.45 Kg
Warranty	3 years



References:

Model	Description	GTIN / EAN
BPW40NDE060630	60x60cm 3300lm 3000K with 200-240V flicker free 0-10V dim driver	5420061204486
BPW40NDE060640	60x60cm 3600lm 4000K with 200-240V flicker free 0-10V dim driver	5420061204493
BPW40NDE060660	60x60cm 3600lm 6000K with 200-240V flicker free 0-10V dim driver	5420061204561

120 X 30 3600LM CEILING LED TILE

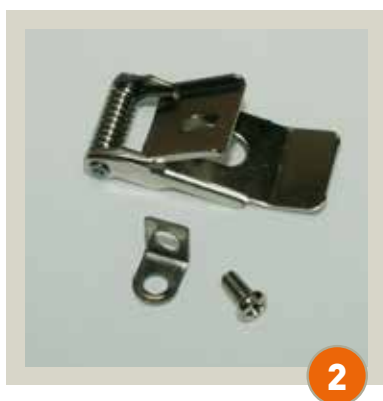
Property	Value
Power	38W
Voltage	230V / ext.PSU
Power Fact.	0.96
Intensity	3300lm / 3600lm
Angle	120°
CCT/Color	3000K / 4000K
CRI	>80
UGR	19
IPLevel	IP20
Dimensions	1195x295x8mm
Frame Color	White
Dimmable	Yes
LED	Epistar
Net weight	14.5 Kg
Warranty	3 years



References:

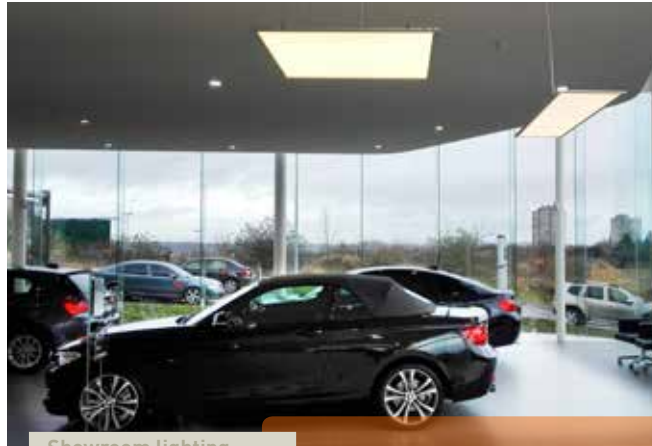
Model	Description	GTIN / EAN
BPW40NDE120330	120x30cm 40W 3300lm 3000K with 200-240V flicker free 0-10V dim driver	5420061204585
BPW40NDE120340	120x30cm 40W 3600lm 4000K with 200-240V flicker free 0-10V dim driver	5420061204592
BPW40NDE120360	120x30cm 40W 3600lm 6000K with 200-240V flicker free 0-10V dim driver	5420061204608

CEILING LED TILE ACCESSORIES



References:

Model	Description	GTIN / EAN
1 BPSUFRAME0606W	Panel frame white 60x60	5420061205117
2 BPRECEMOUNTKIT	Panel spring fastener kit	5420061204622
3 BPWIHANGINGKIT	Panel metal wire susp. kit	5420061204615
BPSUFRAME1203W	Panel frame white 120x30	5420061205124



Showroom lighting



Office lighting



TV studio



Flexible LED Strips



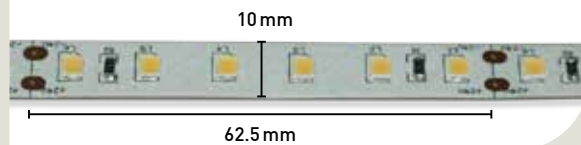
**Non Waterproof
Flexible LED Strip**

NON WATERPROOF FLEXIBLE LED STRIP 96 LED 2835/M 48W

Property	Value
Power max	48W/5m
Voltage	24VDC
LED	2835 0,2W
LED/m	96 LED/m
Light Output	1000lm/m
Dimensions	5000x10x2mm
Cutting section	62.5mm
IP Level	IP20
Double side tape	Yes
Mode	CV :Current adjusted by resistors
Connection	Single end



Detail



Light Effects :



References:

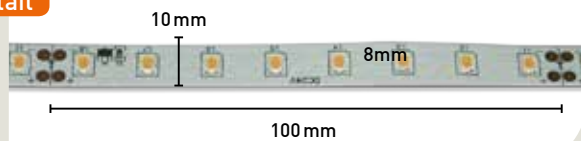
Model	Description	CRI	GTIN / EAN
UPL48EDN912030	Warm white 3000K	80+	5420061200624
UP048EDN912027	Warm white 2700K	90+	5420061200648
UP048EDN912030	Warm white 3000K	90+	5420061200662
UP048EDN912040	Neutral white 4000K	90+	5420061200754
UP048EDN912060	Cool white 6000K	90+	5420061200761

NON WATERPROOF FLEXIBLE LED STRIP 80 LED 2835/M 73W

Property	Value
Power max	73W/5m
Voltage	24VDC
LED	2835 0,5W
LED/m	80 LED/m
Light Output	1970lm/m
Dimensions	5000x10x2mm
Cutting section	100mm
IP Level	IP20
Double side tape	Yes
Mode	CC: current adjusted by IC, Dim only with PWM power supplies
Connection	Single end



Detail



Light Effects :



References:

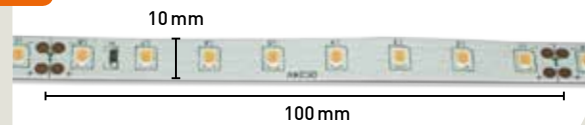
Model	Description	CRI	GTIN / EAN
UP073EDN912027	Warm white 2700K	90+	5420061200969
UP073EDN912030	Warm white 3000K	90+	5420061201034
UP073EDN912040	Neutral white 4000K	90+	5420061201065
UP073EDN912060	Cool white 6000K	90+	5420061201089

NON WATERPROOF FLEXIBLE LED STRIP 80 LED 2835/M 88W

Property	Value
Power max	88W/6m
Voltage	24VDC
LED	2835 0,5W
LED/m	80 LED/m
Light Output	1970lm/m
Dimensions	6000 x10x2mm
Cutting section	100mm
IP Level	IP20
Double side tape	Yes
Mode	CV: current adjusted by resistors
Connection	Power both ends of the strip or in the middle



Detail



Light Effects :



References:

Model	Description	CRI	GTIN / EAN
UP088EDN912030	Warm white 3000K	90+	5420061201034
UP088EDN912040	Neutral white 4000K	90+	5420061204660

NON WATERPROOF FLEXIBLE LED STRIP 128 LED 2835/M 116W

Property	Value
Power max	116W/5m
Voltage	24VDC
LED	2835
LED/m	128 LED/m
Light Output	3150lm/m
Dimensions	5000x10x2mm
Cutting section	62,5mm
IP Level	IP20
Double side tape	Yes
Mode	CC: current adjusted by IC, Dim only with PWM power supplies
Connection	Single end



Detail



Light Effects :



References:

Model	Description	CRI	GTIN / EAN
UP116EDN912027	Warm white 2700K	90+	5420061201126
UP116EDN912030	Warm white 3000K	90+	5420061201133
UP116EDN912040	Neutral white 4000K	90+	5420061201140
UP116EDN912060	Cool white 6000K	90+	5420061201157

NON WATERPROOF FLEXIBLE LED STRIP 128 LED 2835/M 140W

Property	Value
Power max	140W/6m
Voltage	24VDC
LED	2835
LED/m	128 LED/m
Light Output	3150lm/m
Dimensions	6000x10x2mm
Cutting section	62,5mm
IP Level	IP20
Double side tape	Yes
Mode	CV: current adjusted by resistors
Connection	Power both ends of the strip or in the middle



3 meters max in a row or double feed

Detail



Light Effects :

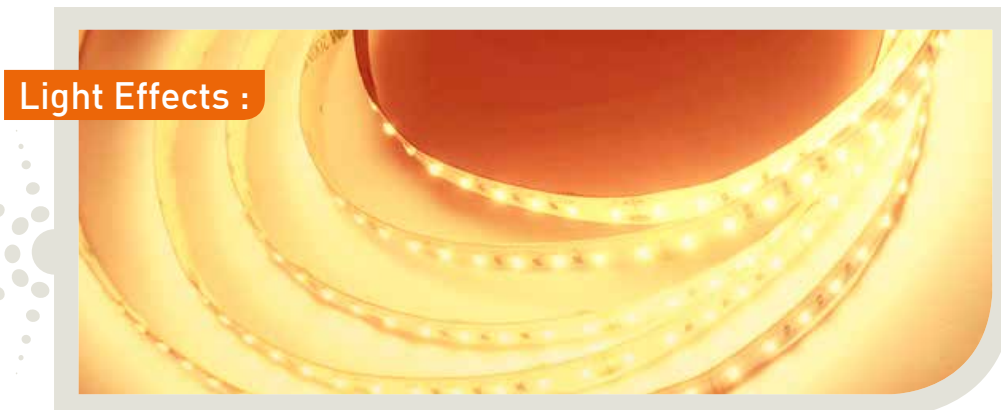
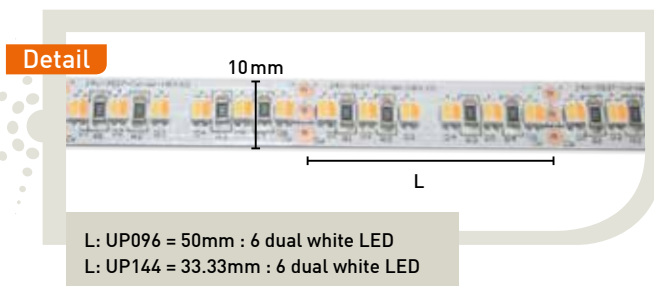


References:

Model	Description	CRI	GTIN / EAN
UP140EDN912030	Warm white 3000K	90+	5420061201188
UP140EDN912040	Neutral white 4000K	90+	5420061201164

NON WATERPROOF FLEXIBLE LED STRIP LED 120 & 180 DUAL WHITE 96 & 144W

Property	Value
Power max	96 & 144W/5m
Voltage	24VDC
LED	Dual white
LED/m	120 & 180 LED/m
Dimensions	5000x10x2mm
Cutting section	100mm
IP Level	IP20
Double side tape	Yes



References:

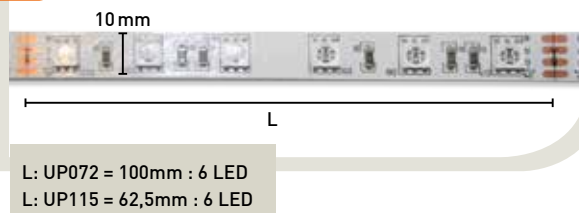
Model	Description	CRI	GTIN / EAN
UP096EDN91202C	120 Dual white LED	90+	5420061201645
UP144EDN91202C	180 Dual white LED	90+	5420061201829

NON WATERPROOF FLEXIBLE LED STRIP 60 & 96 LED 5050/M (SINGLE COLOR & RGB) 72W & 115W

Property	Value
Power max	72W/5m & 115W/5m
Voltage	24VDC
LED	5050
LED/m	60 LED/m & 96 LED/m
Dimensions	5000x10x2mm
Cutting section	100 & 62.5mm
IP Level	IP20
Double side tape	Yes



Detail



Light Effects :



References:

Model	Description	GTIN / EAN
UP072EDN9120RB	Royal blue	5420061234001
UP072EDN9120CB	Cyan blue	5420061234018
UP072EDN9120GR	Green	5420061234025
UP072EDN9120CR	Cherry red	5420061234063
UP072EDN91203C	RGB 60 LED/m	5420061201348
UP115EDN91203C	RGB 96 LED/m	5420061201355

NON WATERPROOF FLEXIBLE LED STRIP 96 LED 5050/M (RGBW) 150W

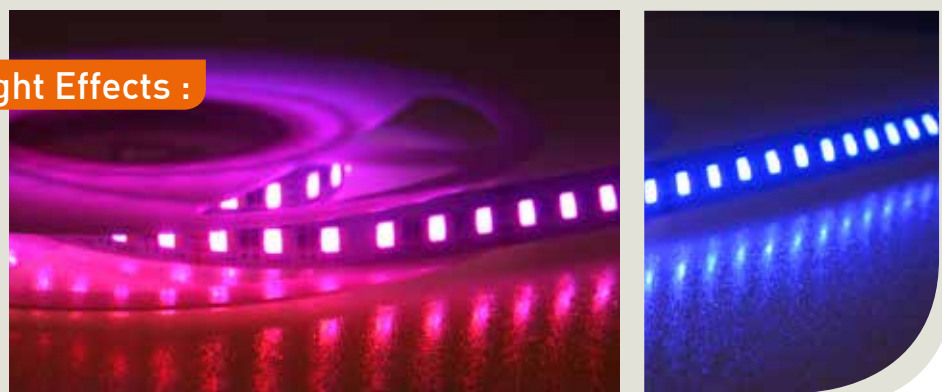
Property	Value
Power max	150W/5m
Voltage	24VDC
LED	5050
LED/m	96 LED/m
Dimensions	5000x10x2mm
Cutting section	100mm
IP Level	IP20
Double side tape	yes



Detail



Light Effects :



References:

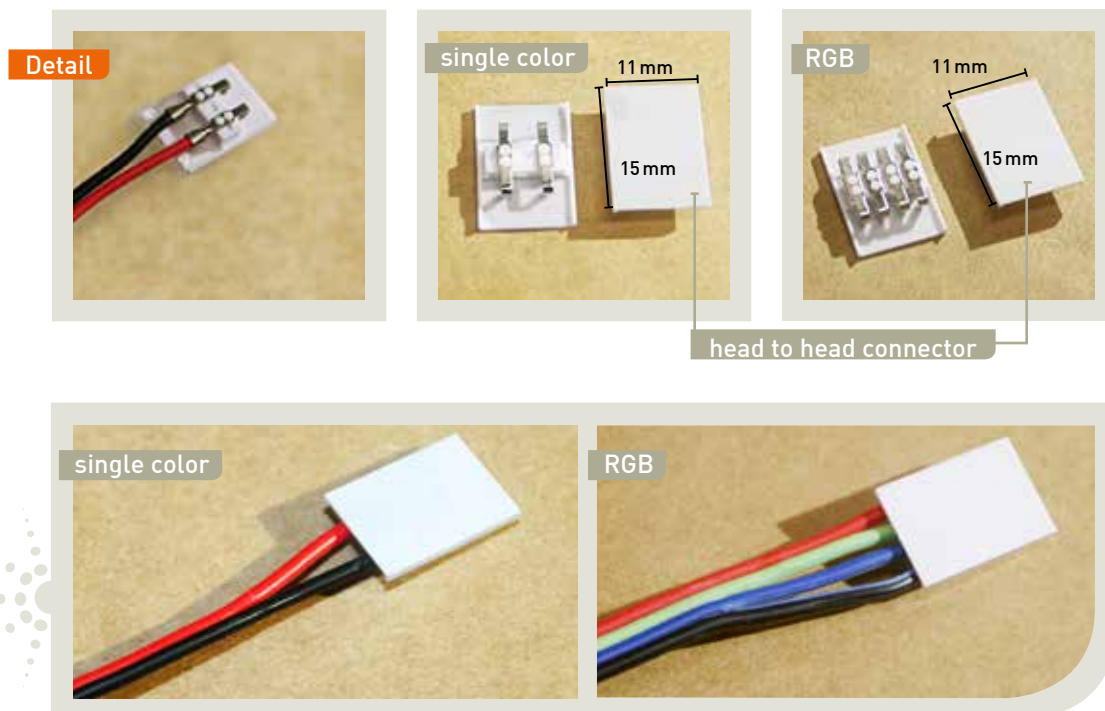
Model	Description	GTIN / EAN
UP150EDN91204W	RGBW 96 + 2700K LED/m	5420061201393
UP150EDN91204C	RGBW 96 + 5000K LED/m	5420061201485



LED Strip Connectors

SOLDERLESS CONNECTORS

Property	Value
Rated Current	2.5A
Voltage	12V/24V, according to LED strip voltage
Dimensions	11x15x3mm



References:

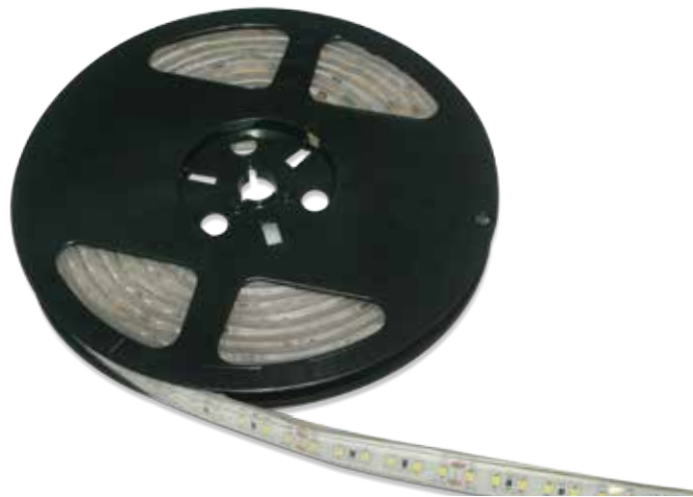
Model	Description	GTIN / EAN
TC2WIRES2STRIP	Slim clip on flat solderless connector IP20 flat for 8&10mm single color strip with wires	5420061233837
TC2STRIP2STRIP	Slim clip on flat solderless head to head connector IP20 for 8&10mm single color strip	5420061233844
TC4WIRES2STRIP	Slim clip on flat solderless connector IP20 flat for 8&10mm RGB strip with wires	5420061233851
TC4STRIP2STRIP	Slim clip on flat solderless head to head connector IP20 for 8&10mm RGB strip	5420061233875



**Waterproof
Flexible LED Strip**

WATERPROOF FLEXIBLE LED STRIP 120 LED 3020/M (RGB) 45W

Property	Value
Power max	45-48W/5m
Voltage	24VDC
LED	3020
LED/m	120 LED/m
Dimensions	5000x13x4mm
Cutting section	50mm
IP Level	IP68
Double side tape	yes



Detail



Light Effects :



Reference:

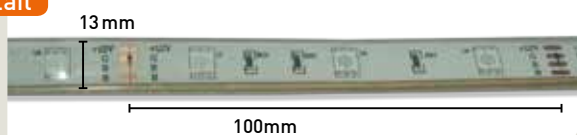
Model	Description	GTIN / EAN
MP045FDN912030	Warm white 3000K	5420061237835
MP045FDN912045	Neutral white 4500K	5420061236371
MP045FDN912060	Cool white 6000K	5420061237804

WATERPROOF FLEXIBLE LED STRIP 30 LED 5050/M (RGB) 36W

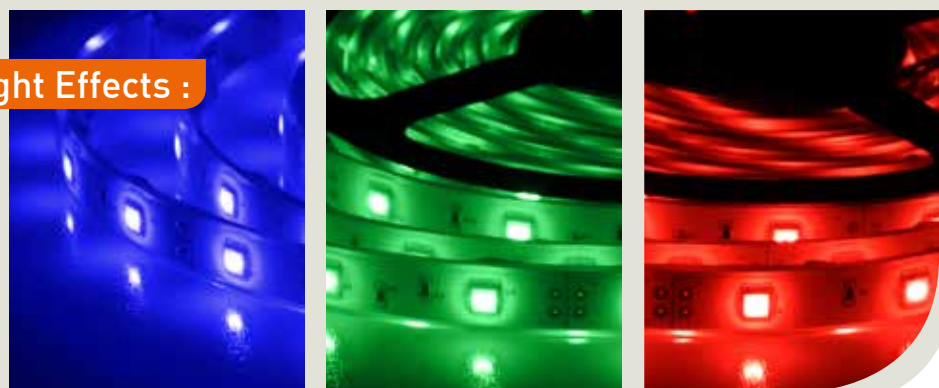
Property	Value
Power max	36W/5m
Voltage	12VDC
LED	5050
LED/m	30 LED/m
Dimensions	5000x13x4mm
Cutting section	100mm
IP Level	IP68
Double side tape	yes



Detail



Light Effects :



Reference:

Model	Description	GTIN / EAN
MP036FDL01203C	12VDC RGB	5420061237118
M4PINCONTFLEXW	Mini connector for M series 4 poles led strips IP68 transparent	5420061222466

WATERPROOF FLEXIBLE LED STRIP 60 LED 5050/M (RGB) 72W

Property	Value
Power max	72W/5m
Voltage	24VDC
LED	5050
LED/m	60 LED/m
Dimensions	5000x13x4mm
Cutting section	100mm
IP Level	IP68
Double side tape	yes



Detail



Light Effects :



Reference:

Model	Description	GTIN / EAN
MP072EDN01203C	24VDC RGB IP68	5420061237200
M4PINCONTFLEXW	Mini connector for M series 4 poles led strips IP68 transparent	5420061222466



Bookshelves



Pharmacy shelves



Bathroom



Controllers



Controllers

SPOTLED LIGHT CONTROL SINGLE ZONE REMOTE CONTROLLER KITS

Remotes

Property	Value
Input voltage	DC5V-DC24V
Working current	≤ 30mA
Working frequency	433.92 MHz
Transmitting distance	40~50m
Dimension	L104xW58xH9mm
Holder Dimension	L108xW63xH14mm
Weight (G.W)	42g



Receiver

Property	Value
Input voltage	DC5V-DC24V
Working Temperature	-30°C~55°C
Remote distance	40m-50m
Scale levels/chanel	Max 4096
Dimension	L175xW44xH30mm
Weight (G.W)	120g



References:

Model	Description	GTIN / EAN
SPDREMOTECWM1S	Blister kit 1 channel (3x3A)	5420061237941
SPDREMOTECWM2S	Blister kit 2 channels (3x3A)	5420061237934
SPDREMOTECWM3S	Blister kit 3 channels (3x3A)	5420061237927
SPDREMOTECWM4S	Blister kit 4 channels (4x3A)	5420061237910



SPOTLED LIGHT CONTROL MULTI ZONES REMOTE CONTROLLERS

T1 T2M T3M

Property	Value
Input voltage	DC5V built-in Lithium battery
Working current	≤ 30mA
Working frequency	2.4GHZ
Transmitting distance	30m
Remote option	Sync or zone control
Scale levels/chanel	1024
Battery capacity	1000mAh
Standby time	≤ 6 months
Dimension	L145xW55xH22mm
Package Size	L168xW102xH28mm
Weight (G.W)	200g



References:

Model	Description	GTIN / EAN
SPDREMOTECWT1M	1 Channel 8 zones	5420061231314
SPDREMOTECWT2M	2 Channels 8 zones	5420061231338
SPDREMOTECWT3M	3 Channels 10 zones	5420061231352

CONSTANT VOLTAGE RECEIVER

Property	Value
Input voltage	DC5V-DC24V
Max current load	6Ax3CH Max 18A
Max output power	90W/216W/432W (5V/12V/24V)
Compatible remote control	T1/T2/T2M/T3/T3M/T3X remote control
Dimension	L175xW44xH30(mm)
Package size	L178xW48xH33mm
Weight (G.W.)	150g



Reference:

Model	Description	GTIN / EAN
SPDRECEIVET3CV	Remote control receiver constant voltage	5420061231406

SPOTLED LIGHT CONTROL MULTI ZONES 4 CHANNELS REMOTE CONTROLLER

Property	Value
Input voltage	DC5V (Built-in Lithium battery)
Working current	30mA
Working frequency	2.4GHZ
Transmitting distance	30m
Remote option	Sync or zone or programming control
Gray scale level	4096x4096x4096
Weight (G.W.)	150g



Reference:

Model	Description	GTIN / EAN
SPDREMOTECWPT4	4 Channels 8 zones	5420061206428

4 CHANNELS CONSTANT VOLTAGE RECEIVER

Property	Value
Input voltage	DC5V-DC24V
Max current load	5Ax4CH Max 20A
Max output power	100W/240W/480W (5V/12V/24V)
Transmitting distance	30m
Compatible remote control	Workable with T4 remote control
Working temperature	-30°C55°C
Dimension	L175xW44xH30mm
Package size	178xW48xH33mm
Weight (G.W.)	150g

Reference:

Model	Description	GTIN / EAN
SPDRECEIVET4CV	Remote control receiver constant voltage 4 chanel	5420061206411

SPOTLED LIGHT CONTROL D SERIES TOUCH PANEL CONTROLLER

- › Attractive Design
- › Easy to Install
- › High touching accuracy
- › Easy to use and intuitive
- › T-PWM technology for smooth and accurate dimming and color mixing

Property	Value			
SPD TOUCHPPWM	D1	D2	D3	D4
Input Voltage	12/24VDC			
Max Current Load	4Ax3Ch	4Ax2ch	4Ax3Ch	4Ax4Ch
Max Output Power	144/288W	96/192W	144/288W	192/384W
Dimensions	L86xW86xH36			
Package Size	L112xW112xH48			
Weight	210g			



References:

Model	Description	GTIN / EAN
SPD TOUCHPPWMD1	1 Channel touch panel controller	5420061235541
SPD TOUCHPPWMD2	2 Channels touch panel controller	5420061235558
SPD TOUCHPPWMD3	3 Channels touch panel controller	5420061235565
SPD TOUCHPPWMD4	4 Channels touch panel controller	5420061206008

SPOTLED LIGHT CONTROL WIFI CONTROLLER WIFI104

Property	Value
Communication standard	2.4GHz Wi-Fi, 802.11b/g/n protocol
Input voltage	DC12V~DC24V
Max current load	4A x4CH Max 16A
Max output power	192W/384W(12V/24V)
Control distance	100m (Distance of cross-eyed)
Working temperature	-20°C~50°C
Dimensions	L128xW73xH45mm
Package size	L135xW80xH64mm
Weight (G.W.)	382g



Reference:

Model	Description	GTIN / EAN
SPDCTRLWIFI104	WIFI DMX controller	5420061206039



UX8 RGBW TOUCH PANEL

Property	Value
Input voltage	5V DC, 1A (Equipped with a power adapter)
Output signal	RF 2.4G + DMX512
Control	4 zones control
Working temperature	-30°C~55°C
Package size	L132xW180xH35mm
Weight (G.W.)	370g



Reference:

Model	Description	GTIN / EAN
SPDTOUCHDMXUX8	Quad channel 4 zones touch panel with DMX & RF ctrl	5420061205957

V8 4 ZONES REMOTE CONTROL

Property	Value
Working voltage	DC3V(Battery CR2032)
Working Frequency	RF 2.4G
Remote Distance	30m(max)
Working Temp.	-20°C~60°C



Reference:

Model	Description	GTIN / EAN
SPDREMOTECWV8M	Quad channel 4 zones remote control V8	5420061206015

SPOTLED LIGHT CONTROL 4 CHANNELS CONSTANT VOLTAGE RECEIVER

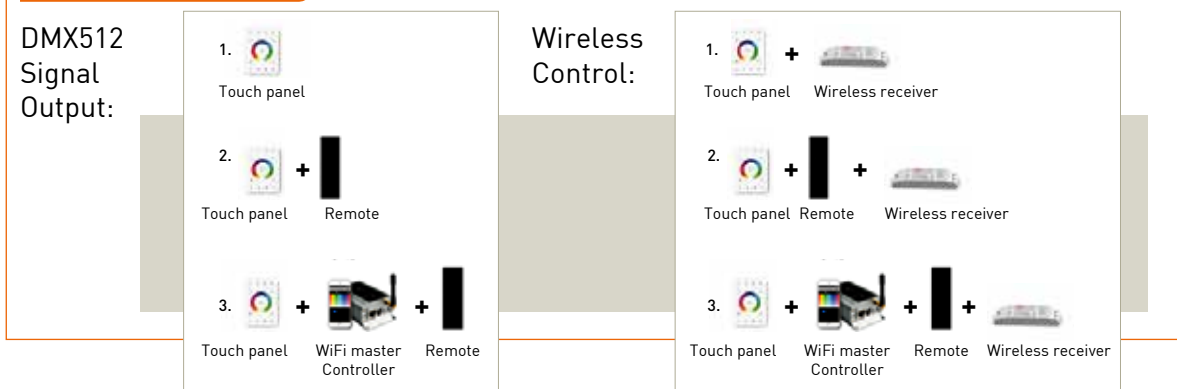
Property	Value
Working Frequency	2.4GHz
Input voltage	DC5V~DC24V
Max current load	5A x4CH Max 20A
Max output power	100W/240W/480W (5V/12V/24V)
Remote Distance	50m (Distance of cross-eyed)
Working temperature	-30°C~55°C
Dimension	L175xW44xH30mm
Package size	L178xW48xH33mm
Weight (G.W)	150g



Reference

Model	Description	GTIN / EAN
SPDRECEIVER45A	Quad channel CV receiver 4x5A 24V (for UX8,V8,WIFI104)	5420061206060

Application Composition



VOLTAGE POWER REPEATER 4 CHANNELS

Property	Value
Input signal	PWM
Input voltage	DC5V~DC24V
Max load current	5Ax4CH Max 20A
Max output power	100W/240W/480W (5V/12V/24V)
Working temperature	-30°C~55°C
Dimension	L175xW44xH30(mm)
Package size	L178xW48xH33(mm)
Weight (G.W)	110g



Reference

Model	Description	GTIN / EAN
SPDPWMRP3040CV	Quad channel CV repeater 4x5A	5420061231499

SUNLITE DMX CONTROLLER STICK GU2 - CU4 - DE3

Property	Value		
	STICK 2	CU4	DE3
Design	Glass	Glass	Glass
Dimensions	86x86x11mm	146x106x10mm	106x146x11mm
Weight	130 g	200 g	250 g
DMX channels	128	512	2x512
ESA software	PC	PC	PC
ESA2 software	PC / Mac	PC / Mac	PC / Mac
Number of scenes	24	36	500
Number of zones	1	1	10
Memory capacity (steps) with 20 chan.	840	2730	SD card limit
Memory capacity (steps) with 60 chan.	310	1020	SD card limit
Power voltage	5V-12V DC	5V-10V DC	5V-6V DC
Power connector	Screw terminal block	Screw terminal block	Screw terminal or RJ45
Live control	Color/Dimmer	Color/Dimmer	Color/Dimmer
Touch-sensitive buttons	3	12	20
Port triggering	1	8	8



References:

Model	Description	GTIN / EAN
FDMXCTSTICKGU2	Sunlite stick GU2	5420061211507
FDMXCTSTICKCU4	Sunlite stick CU4	5420061205940
FDMXCTSTICKDE3	Sunlite stick DE3	5420061218032

SPOTLED LIGHT CONTROL DMX CONSTANT VOLTAGE INTERFACE

Property	Value		
	3 Channels	4 Channels modular DIN Rail	4 Channels
Input signal	DMX 512	DMX 512, RDM	DMX 512
Input Voltage	12-24V DC	5-12-24V DC	5-12-24V DC
Output Current	3x4A	4x4A	5x4A
Dimensions	164x40x65mm	112x35x67mm	175x33x30mm
Weight	840g	120g	175g



References :

Model	Description	GTIN / EAN
SPDDMXPWM3CXLN	DMX 512, 3 channels	5420061201928
SPDDMXPWMDIN4C	DMX 512, RDM, 4 channels	5420061206145
SPDDMXPWM8205A	DMX 512, 4 channels	5420061206121

DMX CONSTANT VOLTAGE INTERFACE 6A WITH HYDRADRIVE TECHNOLOGY

Property	Value
Input voltage	12 -28V DC
Output Current	4x1.5A or 3x2A
Output Voltage	12, 24V DC
Control Channels	Max 4
Control bus	DMX
Dimension	153x50x23mm
Weight (G.W.)	120g



Reference:

Model	Description	GTIN / EAN
ORGBDMXCLD180D	Constant Voltage 6A DMX interface	5420061206671

DMX/DALI CONSTANT VOLTAGE INTERFACE 24A WITH HYDRADRIVE TECHNOLOGY

Property	Value
Input voltage	12 -48V DC
Output Current	3x6A or 4x6A
Output Voltage	4, 12, 24, 38V DC
Control Channels	Max 4
Control bus	DMX/DALI
Dimension	153x50x23mm
Weight (G.W.)	120g

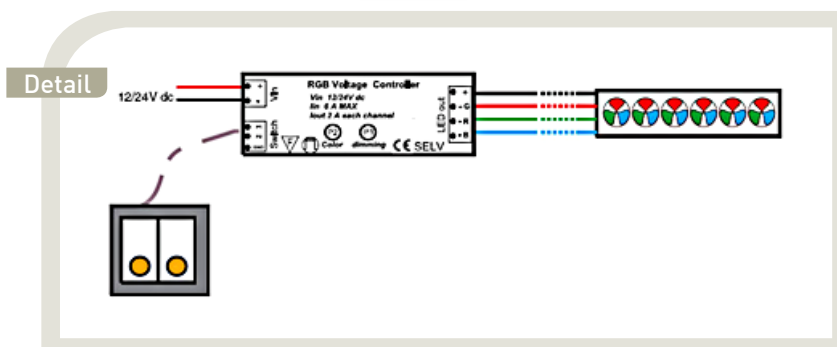
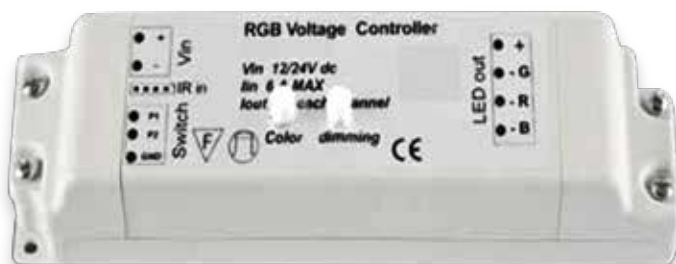


Reference:

Model	Description	GTIN / EAN
ORGBDMXCLD720D	Constant voltage 24A DMX/DALI interface	5420061207753

PUSH BUTTON RGB CONTROLLER

Property	Value
Rated voltage	12-24VDC
Rated current	2 A
Max power	75 - 150 W
Working temperature	1,5 °C
Input cable section	1,5 mm ²
Dimension	151x40x30 mm
Weight	95 g

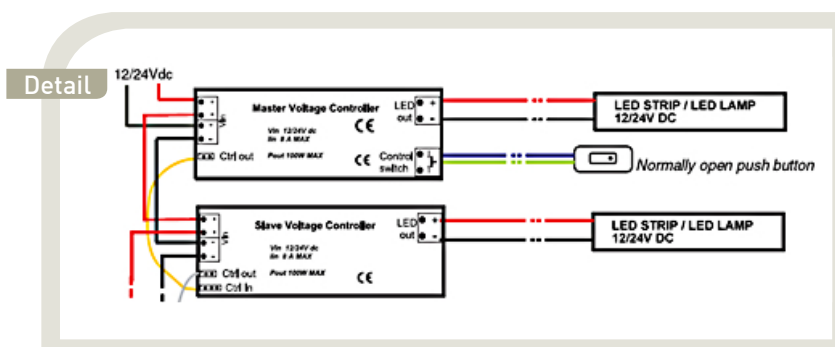


Reference:

Model	Description	GTIN / EAN
I031355	Push button RGB controller	5420061214997

DIMMABLE LED CONTROLLER

Property	Value
Rated voltage	12-24VDC
Rated current	8,5 A
Max power	100 - 200 W
Working temperature	0-40 °C
Working temperature (Tc point)	80 °C
Input cable section	1,5 mm ²
Dimension	112x41x20 mm
Weight	62 g



References :

Model	Description	GTIN / EAN
1032503	Aled-dim monop-V master	5420061215161
1032504	Aled-dim monop-V slave	5420061215178
1800684	Aled-dim monop-V master with memory	5420061235923



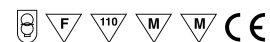


Power Supplies



Constant Voltage Power Supplies

LOW POWER LIGHTING PSU (CV)



Property

Input voltage
Frequency
IP Level
Mode
PFC
Protection
Warranty
Non dimmable

Value

220V-240V AC
50-60Hz
IP20
Constant Voltage
Depending on model
SC / OC / OV / OT
2 years



References:

Model	Description					GTIN/EAN
	Output V	Output I	Power	PFC	Size (LxWxH)	
1401295	12V	1.67A	20W	No	154x50x14mm	5420061215529
1401296	24V	0.84A	20W	No	154x50x14mm	5420061215536
1401292	12V	2.5A	30W	Yes	160x58x18mm	5420061215499
1401286	24V	1.25A	30W	Yes	160x58x18mm	5420061215437
1401297	12V	4.17A	50W	Yes	185x64x22mm	5420061215543
1401298	24V	2.08A	50W	Yes	185x64x22mm	5420061215550
1401364	12V	6.25A	75W	Yes	180x52x30mm	5420061238863
1401365	24V	3.12A	75W	Yes	180x52x30mm	5420061238870

Protection

SC: Short Circuit
OC: Over Current

OV: Over Voltage
OT: Over Temperature

WATERPROOF LOW POWER PSU (CV)



Property	Value
Input voltage	90-264VAC / 127-370VDC 180-305VAC / 254-431VDC (for 150W version)
Frequency	50-60Hz
IP Level	IP67
Mode	Constant Voltage
PFC	No
Protection	SC / OC / OV
Warranty	2 years
Non dimmable	



Application: Signage and outdoor lighting

References:

Model	Description				GTIN/EAN
	Output V	Output I	Power	Size (LxWxH)	
6MWLPV_0200012	12V	1.67A	20W	118x35x26mm	5420061206831
6MWLPV_0350012	12V	3A	36W	148x40x30mm	5420061207692
6MWLPV_0600012	12V	5A	60W	162.5x42.5x32mm	5420061200297
6MWLPV_1000012	12V	8.5A	102W	190x52x37mm	5420061222138
6MWLPV_1500012	12V	10A	120W	191x63x37.5mm	5420061235510
6MWLPV_0200024	24V	0.84A	20.2W	118x35x26mm	5420061206848
6MWLPV_0350024	24V	1.5A	36W	148x40x30mm	5420061207708
6MWLPV_0600024	24V	2.5A	60W	162.5x42.5x32mm	5420061200303
6MWLPV_1000024	24V	4.2A	100.8W	190x52x37mm	5420061222220
6MWLPV_1500024	24V	6.3A	151.2W	191x63x37.5mm	5420061235503

Available voltages:

5,12,15,24,36,48V
(replace the two last digits of reference with relevant voltage)

Protection

SC: Short Circuit
OC: Over Current
OV: Over Voltage

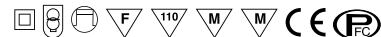
WATERPROOF LOW POWER PSU (CV + CC)

Property

Power
Input voltage
Frequency
IP Level
Mode
PFC
Protection
Warranty
Dimmable

Value

40W / 60W / 90W / 120W
90-305VAC
47-63Hz
IP67
Constant voltage no load power consumption
Active
SC / OC / OV / OT
5 years
No



References:

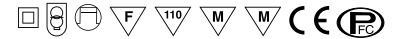
	Model	Description			GTIN/EAN	
		Output V	Output I	Power		
Non dimmable	6MWNPF00400024	24V	1,67A	40W	150x53x35mm	5420061202116
	6MWNPF00600024	24V	2,50A	60W	150x53x35mm	5420061202147
	6MWNPF00900024	24V	3,75A	90W	171x63x37,5mm	5420061202277
	6MWNPF01200024	24V	5A	120W	191x63x37,5mm	5420061202352
Dimmable	6MWNPF0400024	24V	1,67A	40W	150x53x35mm	5420061204677
	6MWNPF0600024	24V	2,50A	60W	150x53x35mm	5420061204684
	6MWNPF0900024	24V	3,75A	90W	171x63x37,5mm	5420061204707
	6MWNPF1200024	24V	5A	120W	191x63x37,5mm	5420061204714

Dimming standards: 0% → 100%
Resistor : Ohm → 100kOhm
Voltage input : 0-10V
10V PWM (100-3KHz) input

Available voltages:
(12),15,20,24,30,36,42,48,54V
(replace the two last digits of reference
with relevant voltage)

Protection
SC: Short Circuit
OC: Over Current
OV: Over Voltage
OT: Over Temperature

WATERPROOF LOW POWER PSU (CV)



Property

Power
Input voltage
Frequency
IP Level
Mode
PFC
Protection
Warranty
Dimmable

Value

40W / 60W / 90W / 120W
90-305VAC
47-63Hz
IP67
Constant voltage no load power consumption
Active
SC / OC / OV / OT
5 years
3 in 1 (0-10V/PWM/ Resistance)



References:

Model	Description				GTIN/EAN
	Output V	Output I	Power	Size (LxWxH)	
6MWPWM00400024	24V	1,67A	40W	150x53x35mm	5420061201898
6MWPWM00600024	24V	2,5A	60W	150x53x35mm	5420061201904
6MWPWM00900024	24V	3,75A	90W	171x63x37,5mm	5420061202000
6MWPWM01200024	24V	5,00A	120W	191x63x37,5mm	5420061202017

Dimming standards: 0% → 100%

Resistor : Ohm → 100kOhm
Voltage input : 0-10V
10V PWM (100-3KHz) input

Available voltages:

(12),15,20,24,30,36,42,48,54V
(replace the two last digits of reference
with relevant voltage)

Protection

SC: Short Circuit
OC: Over Current
OV: Over Voltage
OT: Over Temperature

WATERPROOF MAINS DIMMABLE LED POWER SUPPLIES 12V, 24V (CV)



Property	Value
Input voltage	220-240VAC
Frequency	50-60Hz
IP Level	IP65
Mode	Constant Voltage
PFC	Yes
Protection	SC / OT
Warranty	2 years
Dimmable	Yes



Independent power supply with constant output voltage for LEDs, dimmable by leading and trailing edge dimmers.

We recommend the following products (non-binding; always test before use):
NIKO 31001300 - LEGRAND CELIANE 670184 - NIKO 33000700

The load must not fall below the minimum load of the dimmer.

With lower LED load the dimming range is smaller.

Only connect LEDs in parallel! Do not insert switches into the secondary circuit!

References:

Model	Description			GTIN/EAN
	Output V	Power	Size (LxWxH)	
1800594	12V	36-60W	210x71x46mm	5420061235749
1800596	12V	48-80W	210x71x46mm	5420061235763
1800595	24V	36-60W	210x71x46mm	5420061235756
1800597	24V	48-80W	210x71x46mm	5420061235770

Protection

SC: Short Circuit
OC: Over Current

OV: Over Voltage
OT: Over Temperature

WATERPROOF HIGH POWER PSU (CV+CC)

Features



- Constant Voltage + Constant Current mode output
- Metal housing design
- Built-in active PFC function
- Class 2 power unit
- No load/Standby power consumption < 0.5 W
- IP67/IP65 rating for indoor or outdoor installations
- Function options: output adjustable via potentiometer; 3 in 1 dimming (dim-to-off); smart timer dimming; DALI
- Typical lifetime > 50000 hours
- 5 years warranty



References:

Model	Description	GTIN/EAN
6MWELG01000024	Meanwell fully enclosed PSU with PFC, no cons/no load	5420061205612
6MWELGB1000024	Meanwell fully enclosed PSU with PFC, no cons/no load, 3 in 1 dim to	5420061205629
6MWELGD1000024	Meanwell fully enclosed PSU with PFC, no cons/no load, DALI	5420061237095
6MWELG01500024	Meanwell fully enclosed PSU with PFC, no cons/no load	5420061237101
6MWELGB1500024	Meanwell fully enclosed PSU with PFC, no cons/no load, 3 in 1 dim to	5420061205360
6MWELGD1500024	Meanwell fully enclosed PSU with PFC, no cons/no load, DALI	5420061205407

DALI-PWM SIGNAL CONVERTER

Features



- Universal AC input / Full range (up to 305VAC)
- Convert DALI signal to PWM signal
- 4 DALI addressable output channels
- Built-in push dim function
- Comply with DALI standards (IEC62386-101, 102, 207)
- PWM active high or active low selectable (comply with IEC62386-207)
- Dimming Range : 1 ~ 100%
- Built-in relay for ON/OFF control of LED power supply
- Fully isolated plastic case
- Class II power unit, no FG
- IP20 design
- Power consumption 0.5 W (Note.1)
- 3 years warranty



Reference:

Model	Description	GTIN/EAN
6MWDAP04DALPWM	Meanwell DALI to PWM interface 90-305VAC	5420061205599

Dimming standards: 0% → 100%

Resistor : 10kOhm → 100kOhm
Voltage input : 1-10V
10V PWM (100-3KHz) input or DALI

Available voltages:

24,36,42,48,54V
(replace the two last digits of reference with relevant voltage)

Protection

SC: Short Circuit
OC: Over Current
OV: Over Voltage
OT: Over Temperature

WATERPROOF HIGH POWER PSU (CV+CC)



Property

Input voltage

Frequency

IP Level

Mode

PFC

Protection

Warranty

Value

90-305VAC / 127-431VDC

50-60Hz

IP67 (H and B series)

Constant Voltage with Constant Current Region

Yes

SC / OC / OV / OT

7 years



References:

	Model	Description				GTIN/EAN	
		Output V	Output I	Power	CC Region		Size (LxWxH)
Non dimmable	6MWHLGH1500012	12V	12.5A	150W	6-12V	228x68x38.8mm	5420061235480
	6MWHLGH2400012	12V	16A	192W	6-12V	244.2x68x38.8mm	5420061206701
	6MWHLGH3200012	12V	22A	264W	6-12V	252x90x43.8mm	5420061216687
	6MWHLGH6000012	12V	40A	480W	6-12V	280x144x48.5mm	5420061235466
	6MWHLGH1500024	24V	6.3A	151.2W	12-24V	228x68x38.8mm	5420061235497
	6MWHLGH2400024	24V	10A	240W	12-24V	244.2x68x38.8mm	5420061206701
	6MWHLGH3200024	24V	13.34	320.16W	12-24V	252x90x43.8mm	5420061216687
	6MWHLGH6000024	24V	25A	600W	12-24V	280x144x48.5mm	5420061235473
dimmable	6MWHLGB1500012	12V	12.5A	150W	6-12V	228x68x38.8mm	5420061214706
	6MWHLGB2400012	12V	16A	192W	6-12V	244.2x68x38.8mm	5420061231635
	6MWHLGB3200012	12V	22A	264W	6-12V	252x90x43.8mm	5420061214683
	6MWHLGB6000012	12V	40A	480W	6-12V	280x144x48.5mm	5420061235459
	6MWHLGB1500024	24V	6.3A	151.2W	12-24V	228x68x38.8mm	5420061214690
	6MWHLGB2400024	24V	10A	240W	12-24V	244.2x68x38.8mm	5420061221582
	6MWHLGB3200024	24V	13.34	320.16W	12-24V	252x90x43.8mm	5420061216687
	6MWHLGB6000024	24V	25A	600W	12-24V	280x144x48.5mm	5420061235442

Dimming standards: 10% → 100%

Resistor : 10kOhm → 100kOhm
Voltage input : 1-10V
10V PWM (100-3kHz) input

Available voltages:

12,15,20,24,30,36,42,48,54V
(replace the two last digits
of reference with relevant voltage)

Protection

SC: Short Circuit
OC: Over Current
OV: Over Voltage
OT: Over Temperature

DIN RAIL POWER SUPPLIES 30 → 100 W (CV) DIN RAIL POWER SUPPLIES 75 → 480 W (CV)

CE

Features

30 → 100 W

Universal AC input / Full range
 Protections : OC / OL / OV / OT
 Cooling by free air convection
 Can be installed on DIN rail TS-35/7.5
 or 15 Isolation class II
 LED indicator for power on, 100% full load
 burn-in test
 3 years warranty



75 → 480 W

Universal AC input / Full range
 Built-in active PFC function(NDR-240/480)
 High efficiency up to 92.5%
 Protections: SC / OL / OV / OT
 Can be installed on DIN rail TS-35 / 7.5 or 15
 UL508 (industrial control equipment) listed
 EN61000-6-2 (EN50082-2) industrial immunity level
 100% full load burn-in test
 3 years warranty



References:

Model	Description				GTIN/EAN	
	Output V	Output I	Power	Size (LxWxH)		
30 → 100W	6MWDR000150012	12V	1.25A	15W	93x56x25mm	5420061210029
	6MWDR000150024	24V	0.63A	15.2W	93x56x25mm	5420061210364
	6MWDR000300012	12V	2A	24W	93x78x56mm	5420061201058
	6MWDR000300024	24V	1.5A	36W	93x78x56mm	5420061201041
	6MWDR000600012	12V	4.5A	54W	93x78x56mm	5420061201669
	6MWDR000600024	24V	2.5A	60W	93x78x56mm	5420061201676
	6MWDR001000012	12V	7.5A	90W	100x93x56mm	5420061204134
	6MWDR001000024	24V	4.2A	97.5W	100x93x56mm	5420061204141
75 → 480W	6MWNDR00750012	12V	0~6.3A	75W	32x152.2x102mm	5420061205193
	6MWNDR00750024	24V	0~3.2A	75W	32x152.2x102mm	5420061205285
	6MWNDR01200012	12V	0~10A	120W	40X125.2X113.5mm	5420061205322
	6MWNDR01200024	24V	0~5A	120W	40X125.2X113.5mm	5420061205339
	6MWNDR02400024	24V	0~10A	240W	63X125.2X113.5mm	5420061205391
	6MWNDR04800024	48V	0~10A	480W	85.5X125.2X128.5mm	5420061205414

Protection

SC: Short Circuit

OL: Over Load

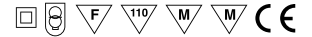
OV: Over Voltage

OT: Over Temperature



Constant Current Power Supplies

LOW POWER LIGHTING PSU (CC)



Property

- Input voltage
- Frequency
- IP Level
- Mode
- Protection
- Warranty

Value

- Depending on model
- 50-60Hz
- Depending on model
- Constant Current
- SC / OC / OV / OT
- 2 years



References:

Model	Description								GTIN/EAN
	Input	V out Max	Operating V	Output I	Power	PF	IP	Size (LxWxH)	
I401327	100-240V	17V	3-12V	350mA	3W	0.4	66	38x27x21.5mm	5420061219664
I401330	100-240V	14V	3-9.5V	500mA	3W	0.4	66	38x27x21.5mm	5420061235527
I401331	100-240V	9.5V	3-6V	700mA	3W	0.4	66	38x27x21.5mm	5420061219671
I401243	220-240V	24V	3-12V	350mA	6W	0.6	20	49x41x21mm	5420061215383
I401244	220-240V	12V	3-8.5V	700mA	6W	0.6	20	49x41x21mm	5420061215390
I401235	220-240V	24V	3-21V	350mA	8W	0.6	20	58x35x21mm	5420061215369
I401236	220-240V	12V	3-8.5V	700mA	8W	0.6	20	58x35x21mm	5420061215376
I401293	220-240V	46V	20-43V	350mA	15W	0.5	20	128x51x14mm	5420061215505
I401294	220-240V	24V	11-21V	700mA	15W	0.5	20	128x51x14mm	5420061215512

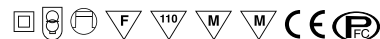
For special requirements please contact us

Protection

SC: Short Circuit
OC: Over Current

OV: Over Voltage
OT: Over Temperature

NON WATERPROOF MULTI POWER PSU WITH PFC (CC)



Property

Power
Input voltage
Frequency
IP Level
Mode
PFC
Protection
Warranty
Dimmable*

Value

25W / 40W / 60W
180-295V AC
47-63Hz
IP20
Constant current no load power consumption
Active
IP20 SC / OV / OT
3 years
PWM version: 010PWM
DALI version: DALIPB



References:

Model	Description				GTIN/EAN
	Output C	Output V	Power	Size (LxWxH)	
6MWLCM25DALIPB	350 - 1050mA	6V to 54V	25W	93x56x25mm	5420061205544
6MWLCM25010PWM	350 - 1050mA	6V to 54V	25W	93x56x25mm	5420061205483
6MWLCM40DALIPB	350 to 1050 mA	2V to 100V	42W	123x5x81,5x23mm	5420061236302
6MWLCM40010PWM	350 to 1050 mA	2V to 100V	42W	123x5x81,5x23mm	5420061235909
6MWLCM60DALIPB	500 to 1400 mA	2V to 90V	60W	123x5x81,5x23mm	5420061238788
6MWLCM60010PWM	500 to 1400 mA	2V to 90V	60W	123x5x81,5x23mm	5420061235916

Dimming standards: 0% → 100%

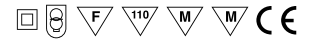
Resistor : 0hm → 100k0hm
Voltage input : 0-10V
10V PWM (100-3KHz) input

Protection

SC: Short Circuit
OV: Over Voltage
OT: Over Temperature

* Synchronization function up to 10 units

PLUG IN POWER ADAPTATOR (CV)



Features

- Universal AC input / Full range
- No load power consumption \leftarrow 0.3W
- 2 pole EURO plug
- Class 2 power supply without earth pin
- Fully enclosed plastic case
- 2 years warranty



References:

Model	Description	GTIN / EAN
6MWGSE00180012	Meanwell fully enclosed euro plug plastic power supply 18W 12V	5420061205087
6MWGSE00180024	Meanwell fully enclosed euro plug plastic power supply 18W 24V	5420061205094
6MWGSE00250012	Meanwell fully enclosed euro plug plastic power supply 25W 12V	5420061213655
6MWGSE00250024	Meanwell fully enclosed euro plug plastic power supply 25W 24V	5420061213662
6MWGSE00360012	Meanwell fully enclosed euro plug plastic power supply 36W 12V	5420061205445
6MWGSE00360024	Meanwell fully enclosed euro plug plastic power supply 36W 24V	5420061205452

Protection

SC: Short Circuit / OL: Over Load / OV: Over Voltage / OT: Over Temperature



LED profile power supply



Din rail modular power supply



Constant current driver for outdoor LED fixture

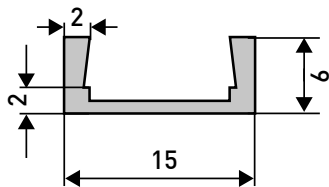
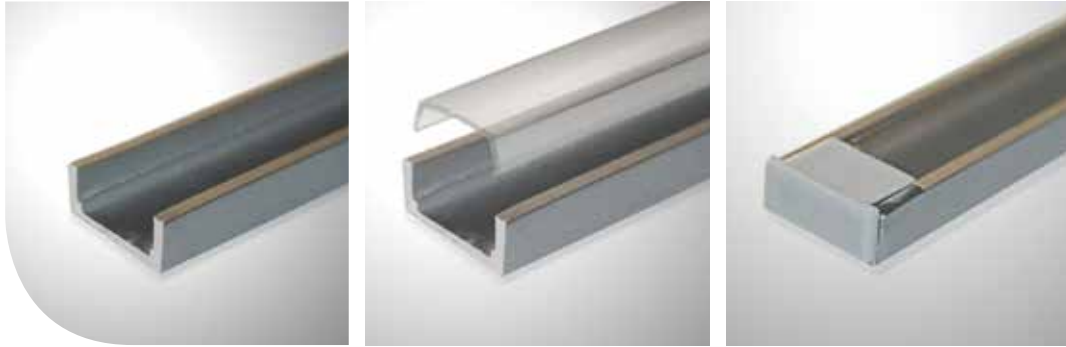


Aluminum
Profiles



Aluminum Profiles

ALUMINUM LED PROFILE 1504



Features:

- › Anodized aluminium finish
- › Designed and produced in Europe
- › Convenient for all low power LED strips
- › Maximum strip width 10mm

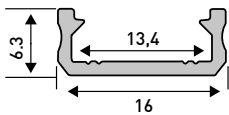
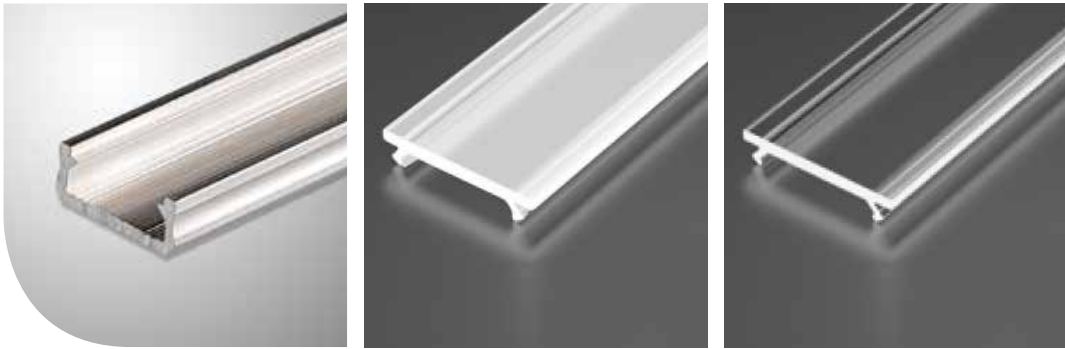
Accessories:



References:

Model	Description	GTIN / EAN
ZALUPRO1504X2M	Anodized aluminum LED profile, 15x4mmx2m	5420061209078
ZTRACOV1504X2M	Plastic cover, 2m, transparent	5420061207197
ZTRAFOF1504X2M	Plastic cover, 2m, frosted	5420061238122
ZENDCAPCOH1504	PVC end cap with hole	5420061200181
ZENDCAPCOV1504	PVC end cap without hole	5420061200167
ZALUPROCLIP1504	Fixing clip	5420061200174

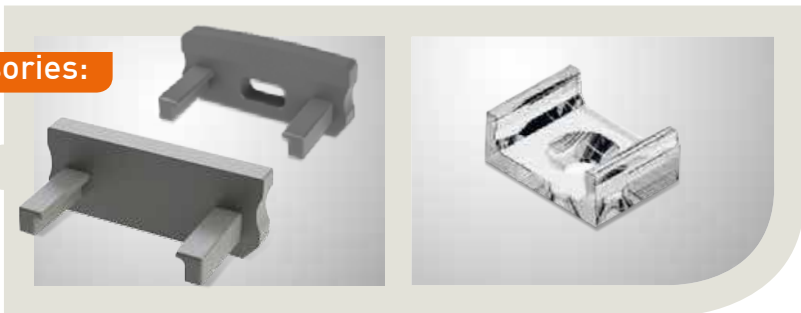
ALUMINUM LED PROFILE 1606



Features:

- › Anodized aluminium finish
- › Designed and produced in Europe
- › Convenient for all low power LED strips
- › Maximum strip width 10mm

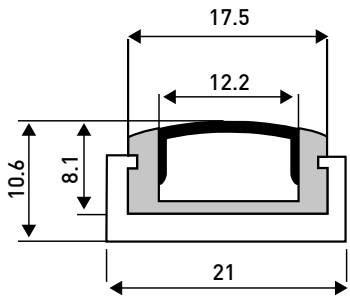
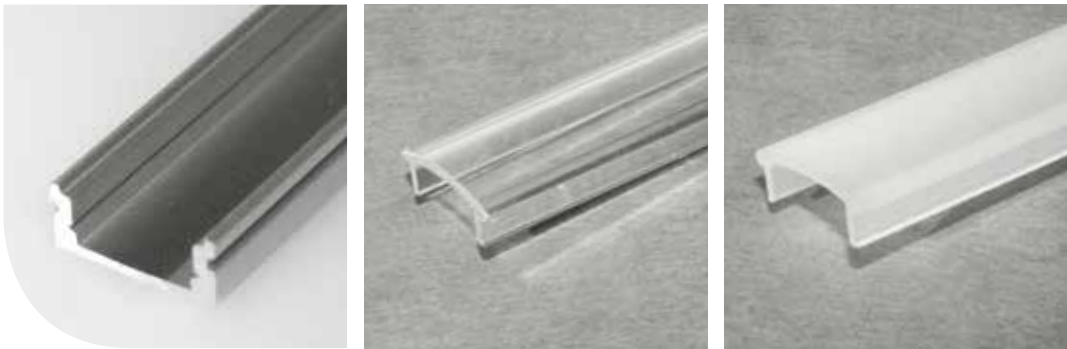
Accessories:



References:

Model	Description	GTIN / EAN
ZALUPRO1606X2M	Anodized aluminum LED profile, 16x6mmx2m	5420061206152
ZTRACOF1606X2M	Plastic cover, 2m, Frosted	5420061206176
ZTRACOV1606X2M	Plastic cover, 2m, Clear	5420061206183
ZENDCAPCOH1606	End cap with hole	5420061206213
ZENDCAPCOV1606	End cap without hole	5420061206275
ZALPROCLIP1606	Transparent plastic clip	5420061206367

ALUMINUM LED PROFILE 1808



Features:

- › Anodized cost efficient aluminum profile for low and medium power LED strips (up to 10W/m) with a maximum width of 12mm
- › Individual plastic sleeve for scratch protection
- › Metal and Plastic Clips available
- › Tranparent and Frosted Covers available

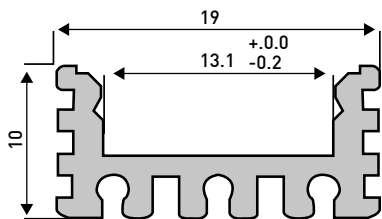
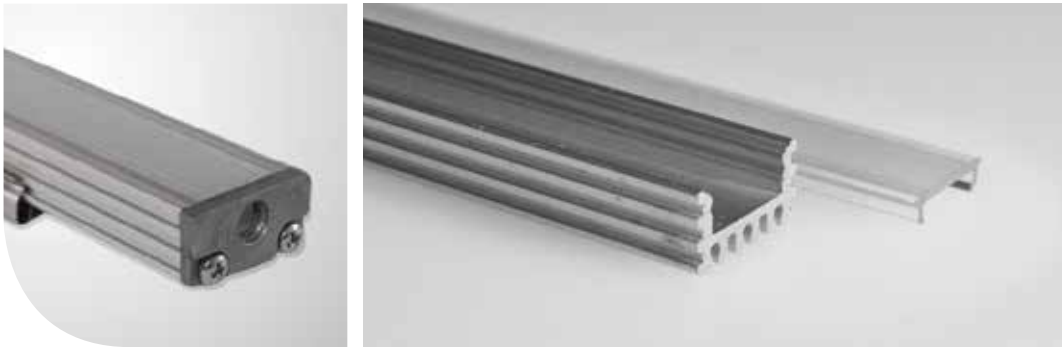
Accessories :



References:

Model	Description	GTIN / EAN
ZALUPRO1808X2M	Anodized aluminum LED profile, 18x8mmx2m	5420061218490
ZTRACOV1808X2M	Transparent cover, 2m	5420061218506
ZTRACOF1808X2M	Frosted cover, 2m	5420061236760
ZENDCAPCOH1808	Plastic end cap with hole	5420061236760
ZENDCAPCOV1808	Plastic end cap without hole	5420061236760
ZALPRMCLIP1808	Fastening metal clip	5420061236760
ZCORNERCON1808	Spotted 90° corner accessory for 1808 profile	5420061236760

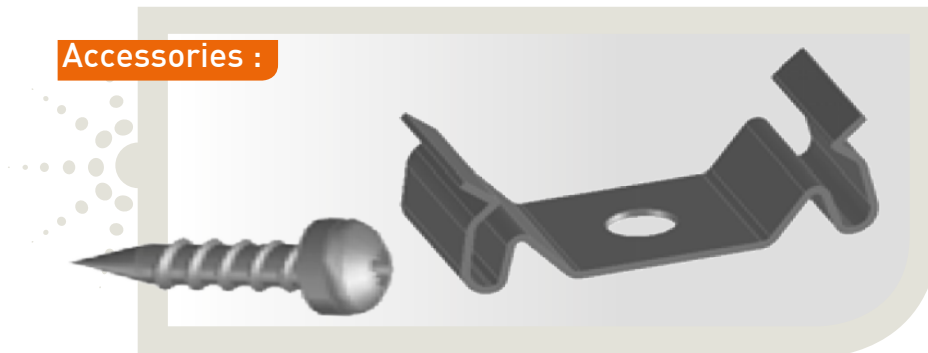
ALUMINUM LED PROFILE 1910



Features:

- › Anodized aluminium finish
- › Designed and produced in Europe
- › Convenient for all high power LED strips (22W / m)
- › Maximum strip width 12mm

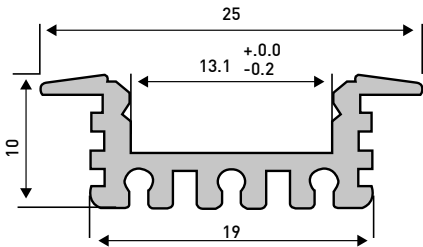
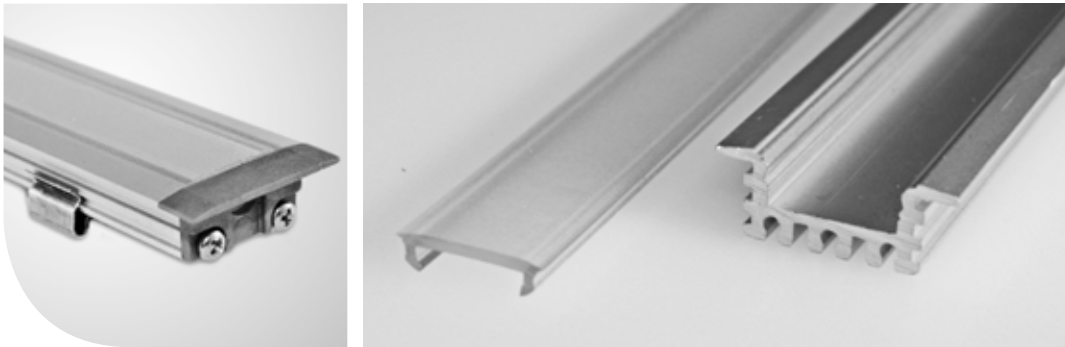
Accessories :



References:

Model	Description	GTIN / EAN
IALUPRO1910X2M	Arditi aluminum alox profile 19x10mm x2m	5420061236760
ITRACOVPOLYX2M	Arditi polycarbonate clear cover 4.2x15.4mm x2m	5420061236722
ITRACOFPOLYX2M	Arditi polycarbonate frosted cover 4.2x15.4mm x2m	5420061236739
IENDCAPKIT1910	Arditi accessory kit 1910 (1 closed cap, 1 open cap, 4 screws, 3 clips)	5420061238429

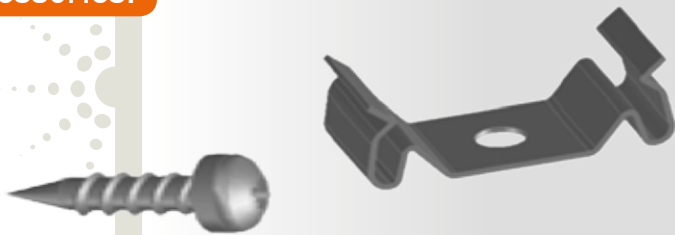
ALUMINUM RECESSED LED PROFILE 2510



Features:

- › Anodized aluminium finish
- › Designed and produced in Europe
- › Convenient for all high power LED strips (22W / m)
- › Maximum strip width 12mm

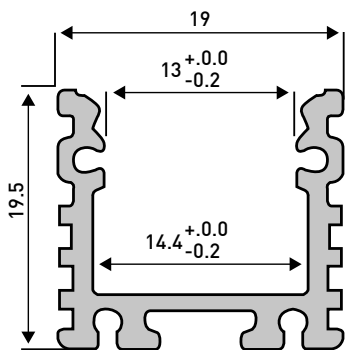
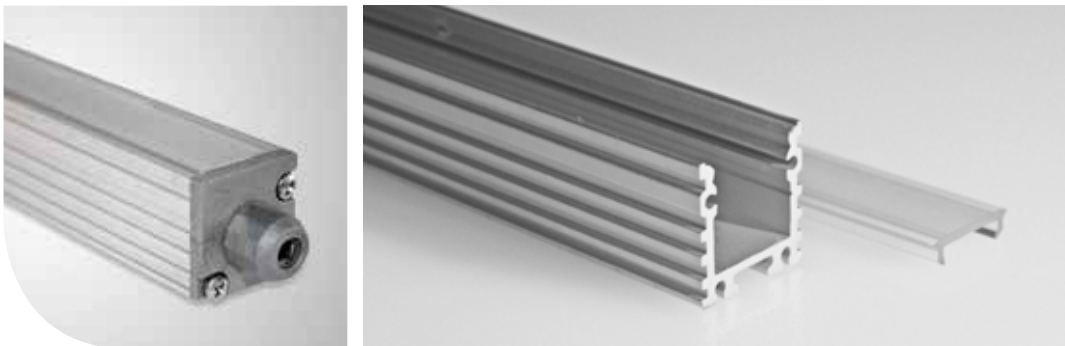
Accessories:



References:

Model	Description	GTIN / EAN
IALUPRO2510X2M	Arditi aluminum recessed alox profile 25x10mm x2m	5420061236715
ITRACOVPOLYX2M	Arditi polycarbonate clear cover 4.2x15.4mm x2m	5420061236722
ITRACOFPOLYX2M	Arditi polycarbonate frosted cover 4.2x15.4mm x2m	542006123673
IENDCAPKIT2510	Arditi accessory kit 2510 (1 closed cap, 1 open cap, 4 screws, 3 clips)	5420061238436

ALUMINUM LED PROFILE 1919



Features:

- › Anodized aluminium finish
- › Designed and produced in Europe
- › Convenient for all high power LED strips (22W / m)
- › Maximum strip width 12mm

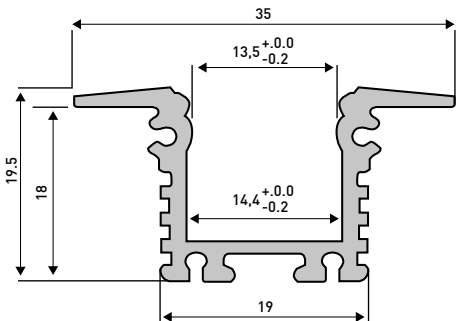
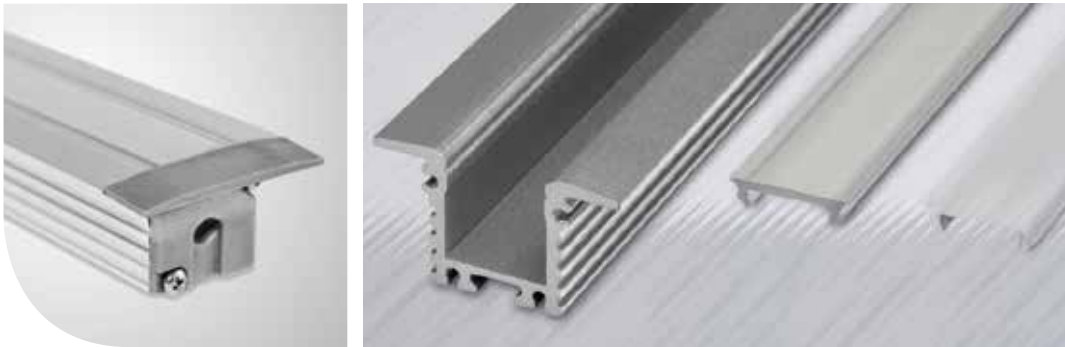
Accessories:



References:

Model	Description	GTIN / EAN
IALUPRO1919X2M	Arditi aluminum alox profile 19x19mm x2m	5420061236791
ITRACOVPOLYX2M	Arditi polycarbonate clear cover 4.2x15.4mm x2m	5420061236722
ITRACOFPOLYX2M	Arditi polycarbonate frosted cover 4.2x15.4mm x2m	5420061236739
IENDCAPKIT1919	Arditi accessory kit 1919 (1 closed cap, 1 open cap, 4 screws, 3 clips, 1 cable clamp, 1 nut)	5420061238450

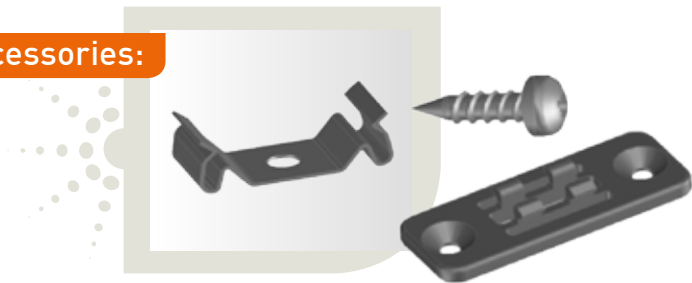
ALUMINUM RECESSED LED PROFILE 3520



Features:

- › Anodized aluminium finish
- › Designed and produced in Europe
- › Convenient for all high power LED strips (22W / m)
- › Maximum strip width 12mm

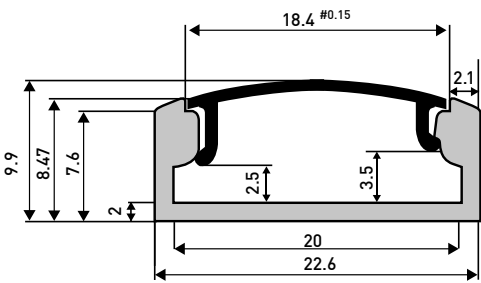
Accessories:



References:

Model	Description	GTIN / EAN
IALUPRO3520X2M	Arditi aluminum recessed alox profile 35x20mm x2m	5420061236821
ITRACOVPOLYX2M	Arditi polycarbonate clear cover 4.2x15.4mm x2m	5420061236722
ITRACOFPOLYX2M	Arditi polycarbonate frosted cover 4.2x15.4mm x2m	5420061236739
IENDCAPKIT3520	Arditi accessory kit 3520 (1 closed cap, 1 open cap, 4 screws, 3 clips)	5420061238443

ALUMINUM WIDE LED PROFILE 2208



Features:

- › Anodized aluminum finish
- › High Quality UV resistant polycarbonate snap on cover
- › Two different light covers to chose from frosted or transparent
- › Reduced light loss design
- › Small dimensions only 8mm high
- › Extra space inside the profile (20mm) for IP67 LED strips, RGB or double row LED strips
- › Available with dedicated accessories such as end caps and mounting brackets

Applications :

- › Led lamps
- › Retail store shelves LED lighting
- › Kitchen cabinets LED lighting
- › Exhibitions, hotels, restaurants LED lighting
- › Interior design

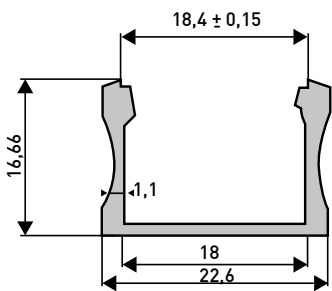
Accessories:



References:

Model	Description	GTIN / EAN
ZALUPRO2208X2M	Anodized aluminum LED profile, 22x8mmx2m	5420061210302
ZTRACOV22__X2M	Polycarbonate cover, clip on system, 2m, transparent	5420061209542
ZTRACOF22__X2M	Polycarbonate cover, clip on system, 2m, frosted	5420061209535
ZENDCAPCOH2208	PVC end cap with hole	5420061210470
ZENDCAPCOV2208	PVC end cap without hole	5420061210487
ZALPROCLIP2208	PVC grey clip	5420061210494

ALUMINUM WIDE LED PROFILE 2215



Features:

- › Anodized aluminum finish
- › High Quality UV resistant polycarbonate snap on cover
- › Two different light covers to choose from
frosted (LEDs dots free) and transparent
- › Extra space inside the profile (18mm) for IP67 LED strips,
RGB or double row LED strips
- › Suitable for high power LED strips up to 30W/m
- › Available with dedicated finish end caps and mounting bracket

Applications:

- › Led lamps
- › Shelf LED lighting for retail store
- › Cabinets LED lighting for kitchen
- › Interior design

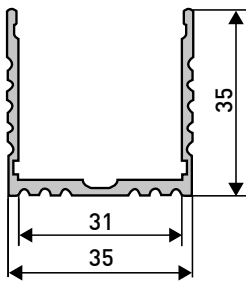
Accessories:



References:

Model	Description	GTIN / EAN
ZALUPRO2215X2M	Anodized aluminum LED profile, 22x17mmx2m	5420061209528
ZTRACOV22__X2M	Polycarbonate cover, clip on system, 2m, transparent	5420061209542
ZTRACOF22__X2M	Polycarbonate cover, clip on system, 2m, frosted	5420061209535
ZENDCAPCOH2215	PVC end cap with hole	5420061209566
ZENDCAPCOV2215	PVC end cap without hole	5420061209559
ZALPROCLIP2215	PVC grey clip	5420061209573

ALUMINUM WIDE LED PROFILE 3535



Features:

- › High Quality UV resistant polycarbonate snap on cover
- › Two different light covers to choose from frosted (LEDs dots free) and transparent
- › Contemporary design
- › Suitable for standard or high power LED stripes up to 30W/m
- › Available with dedicated accessories such as two type of end caps
- › Anodized aluminum finish

Applications:

- › LED lamp component
- › Retail store main ceiling LED lighting
- › Suspended LED lighting lamp
- › Exhibitions, hotels, restaurants main LED lighting
- › Decorative linear LED lighting
- › Exhibition booth LED lighting

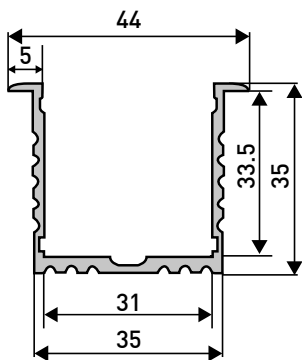
Accessories:



References:

Model	Description	GTIN / EAN
ZALUPRO3535X2M	Anodized aluminum LED profile, 35x35mm x2m	5420061209962
ZTRACOV35__X2M	Polycarbonate cover, clip on system, 2m, transparent	5420061209979
ZTRACOF35__X2M	Polycarbonate cover, clip on system, 2m, frosted	5420061210500
ZENDCAPC003535	End cap with ears	5420061209818
ZENDCAPCOV3535	End cap without ears	5420061209023

ALUMINUM WIDE RECESSED LED PROFILE 4435



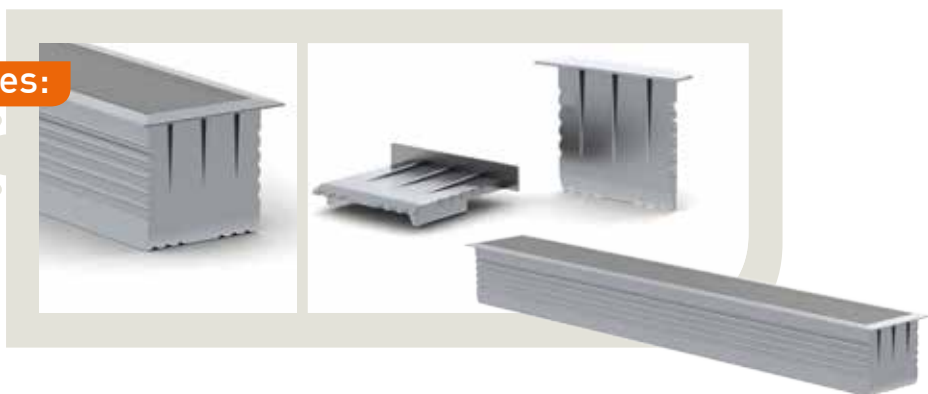
Features:

- › High quality polycarbonate cover
- › No LED dots shows on the diffuser cover surface
- › Soft and smooth light diffusion
- › Cover is placed/removed from the top on click
- › Anodized aluminum finish
- › Heavy duty "heat sink" for high power LEDs
- › Matching end caps for this profile are available
- › Gypsum ceiling installation
- › Available in length of 2m with clear or frosted cover

Applications:

- › Show rooms ceiling LED lighting
- › Restaurants ceiling LED lighting
- › Shopping malls LED lighting

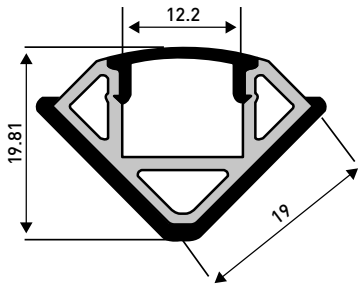
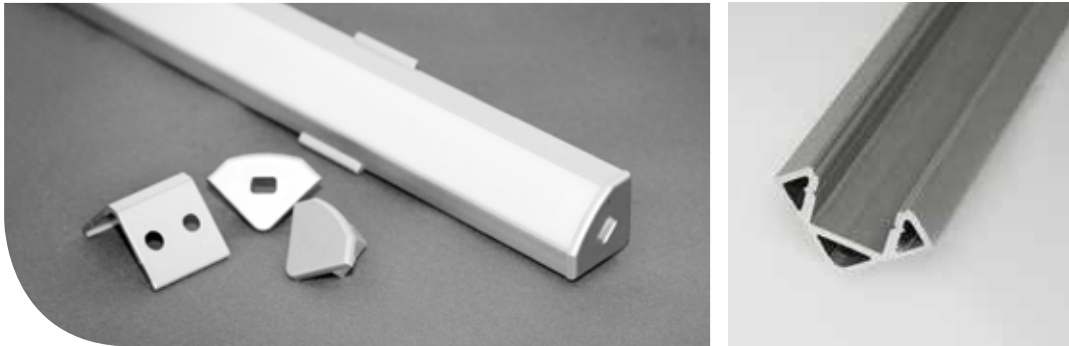
Accessories:



References:

Model	Description	GTIN / EAN
ZALUPRO4435X2M	Anodized aluminum LED profile, 44x35mmx2m	5420061210050
ZTRACOV35__X2M	Polycarbonate cover, clip on system, 2m, transparent	5420061209979
ZTRACOF35__X2M	Polycarbonate cover, clip on system, 2m, frosted	5420061210500
ZENDCAPC004435	End cap with ears	5420061210517
ZALPROCLIP4435	Mounting clip for fort plaster board ceiling	5420061238955

ALUMINUM 45° CORNER LED PROFILE XL45



Features:

- › High quality cover now placing from the front on click
- › Cover available in transparent and frosted
- › Base of the profile is made in anodized aluminum
- › Suitable for low power and high power LEDS
- › Simplicity design with high quality finish
- › Individual plastic sleeve for scratch protection

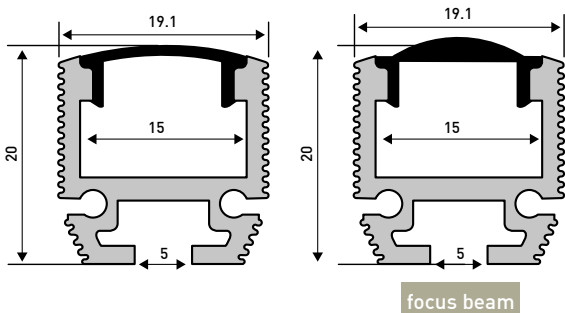
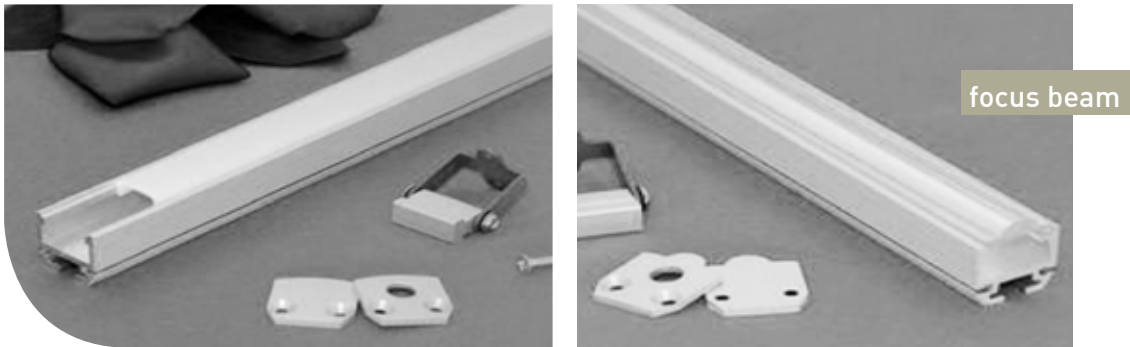
Applications:

- › Under kitchen cabinets LED lighting
- › Stores shelves LED lighting
- › Furniture production, inside cabinets LED lighting
- › Storage shelves LED lighting
- › Exhibition booth LED lighting

References:

Model	Description	GTIN / EAN
ZALUPROXL45X2M	Anodized aluminum LED profile 45°, 19.5x27mmx2m	5420061234520
ZTRACOV1808X2M	Transparent cover, 2m	5420061218506
ZTRACOF1808X2M	Frosted cover, 2m	5420061218513
ZENCAPCOHXL45	Plastic end cap with hole	5420061234551
ZENCAPCOVXL45	Plastic end cap without hole	5420061234568
ZALPRMCLIPXL45	Metal clip	5420061234544

ALUMINUM ADJUSTABLE LED PROFILE AD20



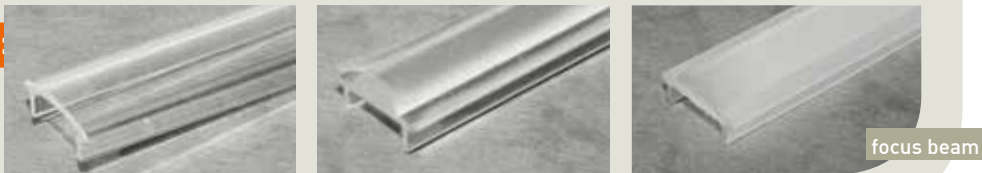
Features:

- › High quality cover placed from the front on click
- › Cover available in transparent and frosted
- › Base of the profile is made in anodized aluminum
- › Suitable for low power and high power LEDs
- › Simplicity in design with high quality finish
- › Individual plastic sleeve for scratch protection

Applications:

- › Under kitchen cabinets LED lighting
- › Stores shelves LED lighting
- › Floor LED lighting
- › Storage shelves LED lighting
- › Exhibition booth LED lighting
- › Interior LED lighting

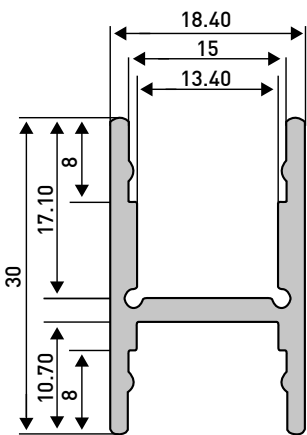
Accessories



References :

Model	Description	GTIN / EAN
ZALUPROAD20X2M	Anodized aluminum adjustable LED profile, 19x20mmx2m	5420061234698
ZTRACOV1808X2M	Transparent cover, 2m	5420061218506
ZTRACOF1808X2M	Frosted cover, 2m	5420061218513
ZTRACFV1808X2M	Focus beam transparent cover	5420061234704
ZTRACFF1808X2M	Focus beam frosted cover	5420061234711
ZALPROORFTAD20	Orientable holder	5420061234728
ZENDCAPCOHAD20	End cap with hole (std cover)	5420061234735
ZENDCAPCOVAD20	End cap without hole (std cover)	5420061234742
ZENDCAPCFHAD20	End cap with hole (focus cover)	5420061234759
ZENDCAPCFVAD20	End cap without hole (focus cover)	5420061234766

ALUMINUM H-SHAPED LED PROFILE 3018



Features :

- › Anodized aluminum finished
- › Included integrated cable duct
- › Available with transparent cover

Applications :

- › For mounting in walls, floor and ceiling
- › Also usable as pendant light and for two sided application of LED strips (be aware of thermal management)

Accessories :



References :

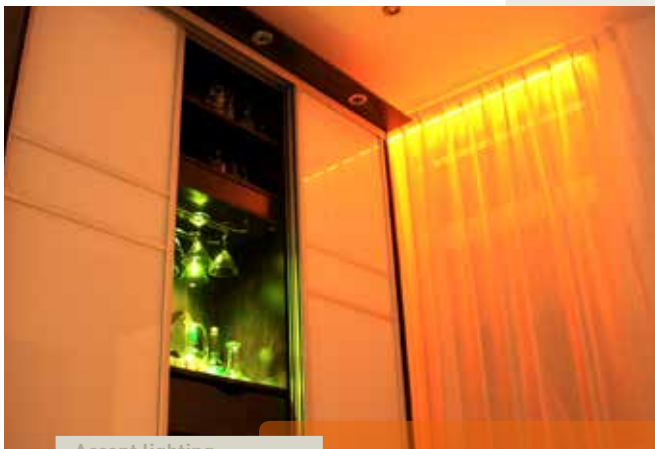
Model	Description	GTIN / EAN
ZALUPRO3018X2M	Anodized aluminum recessed LED profile, 30x18mmx2m	5420061233448
ZTRACOV3018X2M	Transparent cover, 2m	5420061233455
ZTRACOF3018X2M	Frosted cover, 2m	5420061237453
ZENDCAPSET3018	End cap Set	5420061233479
ZALUPRC3018X2M	Clip on profile	5420061233462
ZALPRMCLIP3018	Fastening clip	5420061238054
ZALWHANGINGKIT	Hanging kit with 2X 150cm wire cable & accessories	5420061238269



Decoration lighting



Decoration lighting



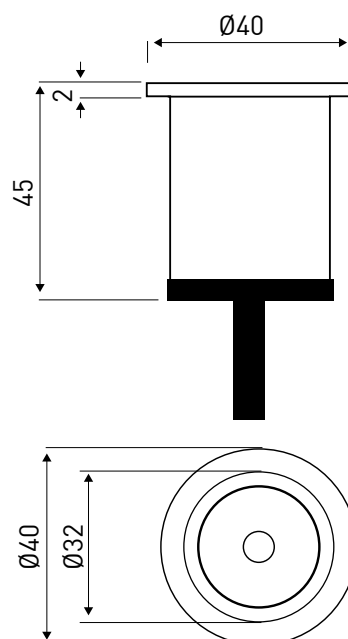
Accent lighting



Ground spot

MINI GROUND SPOT 40MM

Property	Value
Head diameter	40mm
Hole diameter	32mm
Height	45mm
Beam angle	120°
LED	Nichia (white)
Cover	Frosted
Input	350mA
Power	1W-350mA 1.5W-500mA
Mode	Constant current
IP level	IP68



References:

Model	Description	GTIN/ EAN
SN001GDCI12027	Warm white 2700K	5420061235428
SN001GDCI12040	Neutral white 4000K	5420061235435
SN001GDCI12063	Cool white 6300K	5420061238917

HIGH POWER GROUND SPOT 110MM



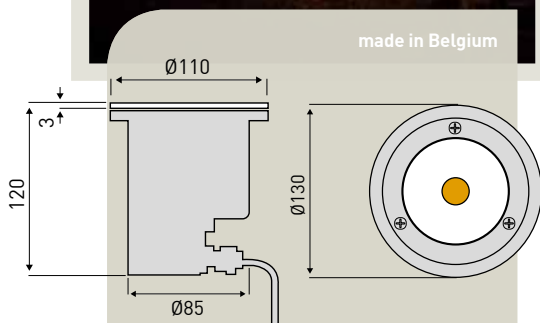
High performance IP67 ground light designed by Conception Luminance with double layer coating for high resistance to corrosion: chemical conversion coating on the aluminium surface followed by a first layer of epoxy powder and a second finishing layer of polyester.

Tempered transparent (sandblasted glass on request), moulded silicone gasket, aluminium or AISI 316L stainless steel frame.

Installation

The luminaire is equipped with M16x1.5 plastic cable gland and a piece of cable for an easy-to-make connection. Outdoor use requires suitable flexible cables assuring the watertightness of the cable gland. Installation requires a dedicated box to be ordered separately.

It is important to provide a 300mm gravel layer or a drain system (for concrete surface) to ensure good drainage and to avoid water stagnation.



References:

Model	Description	GTIN/ EAN
SZ013GDSI01830	Citizen LED CRI 80 48VDC 13W 18° 3000K	5420061232502
SZ013GDSI07530	Citizen LED CRI 80 48VDC 13W 75° 3000K	5420061232519
SZ013GDSI01850	Citizen LED CRI 80 48VDC 13W 18° 5000K	5420061232526
SZ013GDSI07550	Citizen LED CRI 80 48VDC 13W 75° 5000K	5420061232533
SZ018GDSI01830	Citizen LED CRI 80 48VDC 18W 18° 3000K	5420061232540
SZ018GDSI07530	Citizen LED CRI 80 48VDC 18W 75° 3000K	5420061232557
SZ018GDSI01850	Citizen LED CRI 80 48VDC 18W 18° 5000K	5420061232564
SZ018GDSI07550	Citizen LED CRI 80 48VDC 18W 75° 5000K	5420061232571
SGDLIGHTBOX110	Installation box	5420061232632

MODEL OPTIONS

- CCT: 2700K, 3000K, 3500K, 4000K, 5000K
- IRC: 80 standard, 90 on request
- Dimmable version available on request



TECHNICAL INFORMATION

IP RATING (INGRESS PROTECTION)




1st Number: Protection against solid bodies		2nd Number: Protection against liquids	
IP0X	Non protected	IPX0	Non protected
IP1X	Protected against solid objects 50mm Ø or more	IPX1	Protected against vertically falling water drops (from condensation)
IP2X	Protected against solid objects 12,5mm Ø or more	IPX2	Protected against vertically falling water drops when enclosure tilted up to 15
IP3X	Protected against solid objects 2,5mm Ø or more (tools, screws, ...)	IPX3	Protected against spraying water up to 60 from vertical
IP4X	Protected against solid objects 1mm Ø or more (needle, wire, ...)	IPX4	Protected against splashing water from any direction
IP5X	Dust protected (no damage by deposit)	IPX5	Protected against jets of water from any direction
IP6X	Dust tight	IPX6	Protected against powerfull jets of water from any direction
		IPX7	Protected against immersion
		IPX8	Protected against continous immersion in specified conditions

SAFETY CLASS

ELECTRICAL SHOCK PROTECTION




Each luminaire is insulated so that any exposed metal parts do not carry electrical current. Parts that carry current during normal operation must be protected against contact either by insulation or a suitable cover.

Additional measures are taken to prevent exposed metal parts carrying current even if an insulation fault occurs

	Class I	Basic insulation plus protective earth connector
	Class II	Double or reinforced insulation, no provision for protective earthing
	Class III	Class III Supply of safety extra-low voltage (50V max.)

IGNITION / FIRE PROTECTION !

When operated, luminaires generate heat. The following symbols are used for luminaires that can be mounted on flammable materials.

	Luminaires are suitable for direct mounting on normally flammable materials, in which you may not exceed 130°C (in normal operation) and 180°C (in fault case) for less than 15 min.
	Luminaires are suitable for direct mounting on materials that have normal or reduced flammability, in which you may not exceed 95°C (in normal operation), 130°C (in abnormal operation) and 180°C (in fault case) for less than 15 min. Maximum temperature on the mounting surface: 130°C.
	Luminaires are suitable for direct mounting on materials for which the flammability properties are not known, in which you may not exceed 95°C (in normal operation), 115°C (in abnormal operation fault case).

DIRECTIVES



RoHS DIRECTIVE

The RoHS Directive came into force on 1st July 2006 and stands for 'Restriction of the use of Hazardous Substances in electrical and electronic equipment'. This means electrical and electronic equipment containing more than the agreed level of lead, cadmium, mercury, hexavalent chromium, polybrominated biphenyl (PBB) and polybrominated diphenyl ether (PBDE) flame retardants are banned in the EU market. It is permissible to sell products produced before 1st July 2006 without showing compliance, but product manufactured after this date will need to meet the RoHS requirements.



WEEE DIRECTIVE

The WEEE Directive (Waste Electrical and Electronic Equipment) came into force in January 2007. It aims to reduce the amount of waste and get everyone to reuse and recycle. The Directive also aims to help businesses that manufacture improve their environmental performance supply, use, recycle and recover electrical and electronic equipment.

LIGHTING RECOMMENDATIONS

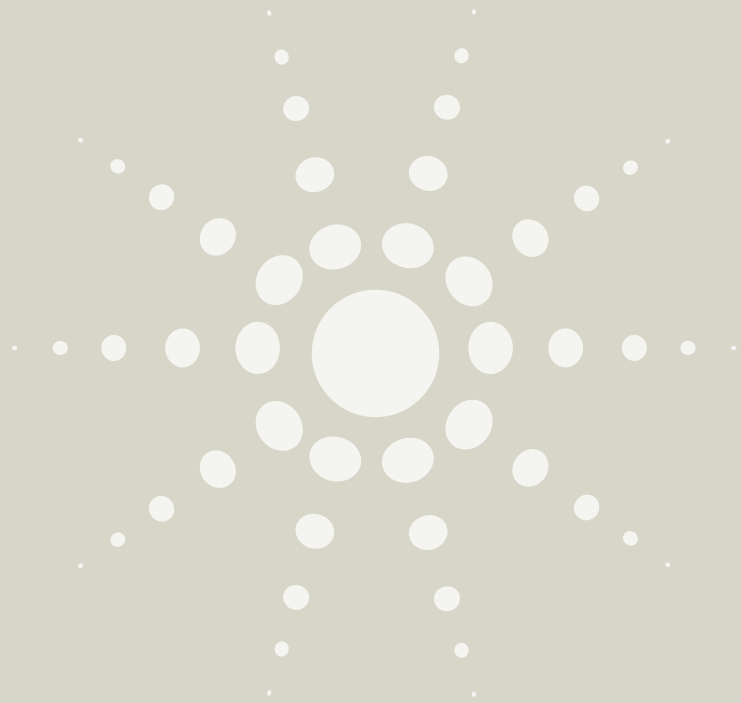
STANDARD VALUES FOR LIGHTING OF INDOOR AND OUTDOOR WORKPLACES

E_m gives the illuminance maintenance values specified in the European standards (Lighting of indoor workplaces, EN 12464-1, April 2003) which partially or completely replace national standards. Illuminance levels must not fall below the **E_m** maintenance values in the visual task area. If the precise location is not known, the limit should be applied to the whole room or a specific working area.

UGR_L is the upper limit for direct glare. The UGR value calculated in the design process must lie below this (the Quickplan tables give the UGR figure for the luminaire used in a medium-size reference room).

R_a is the lower limit for the colour rendition index. The Ra of the selected lamp must be equal to or greater than this value.

Type of interior, task or activity	E _m	UGR _L	R _a
Circulation areas and corridors	100	28	40
Stairs, escalators, travelators	150	25	40
Store and stockrooms	100	25	60
Filing, copying, etc	300	19	80
Writing, typing, reading, data processing	500	19	80
Technical drawing	750	16	80
CAD work stations	500	19	80
Conference and meeting rooms	500	19	80
Reception desk	300	22	80
Archives	200	25	80
Sales area	300	22	80
Till area	500	19	80
Entrance halls	100	22	80
Ticket offices	300	22	80
Restaurants and hotels: Reception/cashier desk, porters desk	300	22	80
Kitchen	500	22	80
Educational buildings, Classrooms, tutorial rooms	500	19	80





Led Lighting Technology

Rue Puits Marie 79 - 4100 Seraing - Belgique

www.spotled.be - Tel : +32 4 225 2589 - Fax : +32 4 365 1376